

## CLAMP SADDLES

### COLLARINES DE TOMA



#### FEATURES

Material: PP

To be installed on pipes conforming to:

- PE: EN 12201 / ISO 3607 / ISO 14236 / DIN 8072 / DIN 8074 / UNI 10910
- PP: ISO 3609 / DIN 8077 / UNI 8318
- PVC-U: EN 1452-2

#### CARACTERÍSTICAS

Material: PP

Para instalación sobre tubos según normas:

- PE: EN 12201 / ISO 3607 / ISO 14236 / DIN 8072 / DIN 8074 / UNI 10910
- PP: ISO 3609 / DIN 8077 / UNI 8318
- PVC-U: EN 1452-2

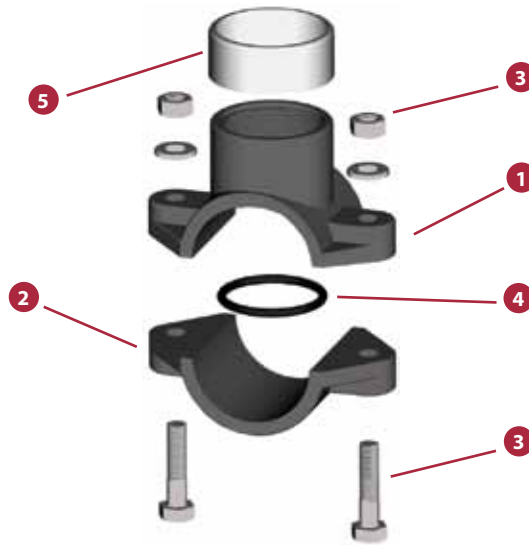


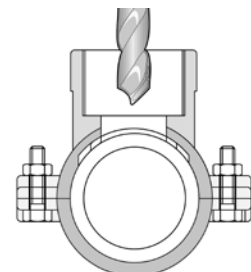
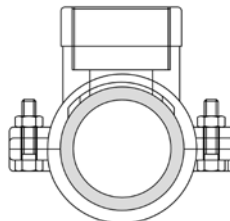
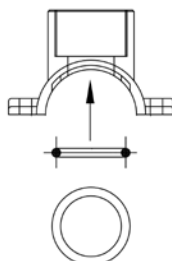
FIG.	Parts	Despiece	Material
1	Upper body	Parte superior	PP
2	Lower body	Parte inferior	PP
3	Bolts and nuts	Tornillos y tuercas	Zinc plated steel
4	O-ring	Junta tórica	NBR 70
5	Reinforcing ring	Anillo de refuerzo	Stainless steel

#### ASSEMBLY

- A.** Clean the external surface of the pipe. Be sure that the O-Ring is in its position.
- B.** Couple the upper portion of the saddle with the lower one on the pipe. Insert the bolts, screw in the nuts and tighten the bolts diagonally opposite each other.
- C.** Drill a hole in the pipe wall. Do not damage the O-Ring or the pipe near the seal zone. Use the right tools.

#### MONTAJE

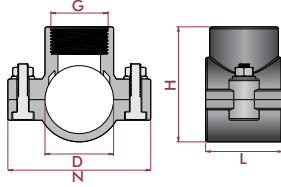
- A.** Eliminar las impurezas exteriores del tubo. Asegurar que la junta tórica esté bien posicionada.
- B.** Acoplar la parte superior del collarín con la inferior, sobre el tubo. Insertar los tornillos, rosca y apretar las tuercas en diagonal alternativamente.
- C.** Taladrar el tubo poniendo especial atención en no dañar la junta ni el tubo cerca de la zona de estanqueidad. Utilizar herramientas adecuadas.



PP. 53. CS - PP CLAMP SADDLE

Clamp saddle

Collarín de toma

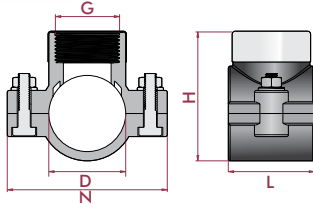


D x G	PN	REF.	CODE	N	L	H	Bolts qty.
25 x 1/2"	10	11 53 025	<b>05287</b>	67	24	52	2
25 x 3/4"	10	11 53 026	<b>06052</b>	67	24	52	2
32 x 1/2"	10	11 53 031	<b>05288</b>	79	31	61	2
32 x 3/4"	10	11 53 032	<b>05289</b>	79	31	61	2
32 x 1"	10	11 53 033 *	<b>20596</b>	79	31	67	2
40 x 1/2"	10	11 53 038	<b>05138</b>	85	50	74	2
40 x 3/4"	10	11 53 039	<b>05139</b>	85	50	74	2
40 x 1"	10	11 53 040	<b>05140</b>	85	50	74	2
50 x 1/2"	10	11 53 048	<b>05141</b>	103	52	84	2
50 x 3/4"	10	11 53 049	<b>05142</b>	103	52	84	2
50 x 1"	10	11 53 050	<b>05143</b>	103	52	84	2
50 x 1 1/4"	10	11 53 051	<b>28674</b>	103	52	84	2
63 x 1/2"	10	11 53 061	<b>28675</b>	101	70	103	4
63 x 3/4"	10	11 53 062	<b>05145</b>	101	70	103	4
63 x 1"	10	11 53 063	<b>05146</b>	101	70	103	4
63 x 1 1/4"	10	11 53 064	<b>28676</b>	101	70	103	4
63 x 1 1/2"	10	11 53 065	<b>05441</b>	101	70	103	4
75 x 1/2"	6	11 53 073 *	<b>05438</b>	114	75	113	4
75 x 3/4"	6	11 53 074 *	<b>05439</b>	114	75	113	4
75 x 1"	6	11 53 075 *	<b>05148</b>	114	75	113	4
75 x 1 1/4"	6	11 53 076 *	<b>28677</b>	114	75	113	4
75 x 1 1/2"	6	11 53 077 *	<b>05150</b>	114	75	113	4
90 x 1/2"	6	11 53 088 *	<b>05440</b>	125	84,5	129	4
90 x 3/4"	6	11 53 089 *	<b>06011</b>	125	84,5	129	4
90 x 1"	6	11 53 090 *	<b>05152</b>	125	84,5	129	4
90 x 1 1/4"	6	11 53 091 *	<b>05153</b>	125	84,5	129	4
90 x 1 1/2"	6	11 53 092 *	<b>05154</b>	125	84,5	129	4
110 x 1"	6	11 53 107 *	<b>06013</b>	150	99	151	4
110 x 1 1/2"	6	11 53 109 *	<b>06015</b>	150	99	151	4
110 x 2"	6	11 53 110 *	<b>06016</b>	150	99	151	4
125 x 1"	6	11 53 122 *	<b>06018</b>	171	99,5	167	4
125 x 1 1/2"	6	11 53 124 *	<b>06020</b>	171	99,5	167	4
125 x 2"	6	11 53 125 *	<b>06021</b>	171	99,5	167	4
140 x 1"	6	11 53 136 *	<b>18785</b>	180	137	188,5	6
140 x 1 1/2"	6	11 53 138 *	<b>18786</b>	180	137	188,5	6
140 x 2"	6	11 53 139 *	<b>18787</b>	180	137	188,5	6
140 x 3"	6	11 53 140 *	<b>18788</b>	180	137	188,5	6
160 x 1"	6	11 53 156 *	<b>18789</b>	208	137	213	6
160 x 1 1/2"	6	11 53 158 *	<b>18790</b>	208	137	213	6
160 x 2"	6	11 53 159 *	<b>18791</b>	208	137	213	6
160 x 3"	6	11 53 160 *	<b>18792</b>	208	137	213	6
200 x 1 1/4"	6	11 53 196 *	<b>18793</b>	270	195	247	6
200 x 1 1/2"	6	11 53 197 *	<b>18794</b>	270	195	243	6
200 x 2"	6	11 53 198 *	<b>18795</b>	270	195	246	6
200 x 3"	6	11 53 199 *	<b>18796</b>	270	195	252	6
200 x 4"	6	11 53 200 *	<b>18797</b>	270	195	255,5	6
225 x 1 1/4"	6	11 53 221 *	<b>18798</b>	300	195	273	6
225 x 1 1/2"	6	11 53 222 *	<b>18799</b>	300	195	274,5	6
225 x 2"	6	11 53 223 *	<b>18800</b>	300	195	271	6
225 x 3"	6	11 53 224 *	<b>18801</b>	300	195	279	6
225 x 4"	6	11 53 225 *	<b>18802</b>	300	195	280	6
250 x 1 1/4"	6	11 53 246 *	<b>18803</b>	330	244	295,5	6
250 x 1 1/2"	6	11 53 247 *	<b>18804</b>	330	244	296	6
250 x 2"	6	11 53 248 *	<b>18805</b>	330	244	296	6
250 x 3"	6	11 53 249 *	<b>18806</b>	330	243	298	6
250 x 4"	6	11 53 250 *	<b>18807</b>	330	243	298	6
315 x 1 1/4"	6	11 53 311 *	<b>18808</b>	400	244	376	6
315 x 1 1/2"	6	11 53 312 *	<b>18809</b>	400	244	376	6
315 x 2"	6	11 53 313 *	<b>18810</b>	400	244	376	6
315 x 3"	6	11 53 314 *	<b>18811</b>	400	244	380,5	6
315 x 4"	6	11 53 315 *	<b>18812</b>	400	244	384,5	6

## PP. 54. CS - PP CLAMP SADDLE

Reinforced clamp saddle

Collarín de toma reforzado



D x G	PN	REF.	CODE
25 x 1/2"	10	11 54 025	<b>11435</b>
25 x 3/4"	10	11 54 026	<b>02379</b>
32 x 1/2"	10	11 54 031	<b>11436</b>
32 x 3/4"	10	11 54 032	<b>11437</b>
32 x 1"	10	11 54 033 *	<b>02380</b>
40 x 1/2"	10	11 54 038	<b>11438</b>
40 x 3/4"	10	11 54 039	<b>11439</b>
40 x 1"	10	11 54 040	<b>02381</b>
50 x 1/2"	10	11 54 048	<b>11440</b>
50 x 3/4"	10	11 54 049	<b>11441</b>
50 x 1"	10	11 54 050	<b>02382</b>
50 x 1 1/4"	10	11 54 051	<b>28678</b>
63 x 1/2"	10	11 54 061	<b>28679</b>
63 x 3/4"	10	11 54 062	<b>11442</b>
63 x 1"	10	11 54 063	<b>02383</b>
63 x 1 1/4"	10	11 54 064	<b>28680</b>
63 x 1 1/2"	10	11 54 065	<b>11443</b>
75 x 1/2"	10	11 54 073 *	<b>11444</b>
75 x 3/4"	10	11 54 074 *	<b>11445</b>
75 x 1"	10	11 54 075 *	<b>02384</b>
75 x 1 1/4"	10	11 54 076 *	<b>28681</b>
75 x 1 1/2"	10	11 54 077 *	<b>11446</b>
90 x 1/2"	10	11 54 088 *	<b>11447</b>
90 x 3/4"	10	11 54 089 *	<b>11448</b>
90 x 1"	10	11 54 090 *	<b>02385</b>
90 x 1 1/4"	10	11 54 091 *	<b>11449</b>
90 x 1 1/2"	10	11 54 092 *	<b>11450</b>
110 x 1"	10	11 54 107 *	<b>02386</b>
110 x 1 1/2"	10	11 54 109 *	<b>11451</b>
110 x 2"	10	11 54 110 *	<b>11452</b>
125 x 1"	10	11 54 122 *	<b>11453</b>
125 x 1 1/2"	10	11 54 124 *	<b>11454</b>
125 x 2"	10	11 54 125 *	<b>11455</b>
140 x 1"	10	11 54 136 *	<b>06022</b>
140 x 1 1/2"	10	11 54 138 *	<b>06024</b>
140 x 2"	10	11 54 139 *	<b>06025</b>
140 x 3"	10	11 54 140 *	<b>06026</b>
160 x 1"	10	11 54 156 *	<b>06027</b>
160 x 1 1/2"	10	11 54 158 *	<b>06029</b>
160 x 2"	10	11 54 159 *	<b>06030</b>
160 x 3"	10	11 54 160 *	<b>06031</b>
200 x 1 1/4"	10	11 54 196 *	<b>06032</b>
200 x 1 1/2"	10	11 54 197 *	<b>06033</b>
200 x 2"	10	11 54 198 *	<b>06034</b>
200 x 3"	10	11 54 199 *	<b>06035</b>
200 x 4"	10	11 54 200 *	<b>06036</b>
225 x 1 1/4"	10	11 54 221 *	<b>06037</b>
225 x 1 1/2"	10	11 54 222 *	<b>06038</b>
225 x 2"	10	11 54 223 *	<b>06039</b>
225 x 3"	10	11 54 224 *	<b>06040</b>
225 x 4"	10	11 54 225 *	<b>06041</b>
250 x 1 1/4"	10	11 54 246 *	<b>06042</b>
250 x 1 1/2"	10	11 54 247 *	<b>06043</b>
250 x 2"	10	11 54 248 *	<b>06044</b>
250 x 3"	10	11 54 249 *	<b>06045</b>
250 x 4"	10	11 54 250 *	<b>06046</b>
315 x 1 1/4"	10	11 54 311 *	<b>06047</b>
315 x 1 1/2"	10	11 54 312 *	<b>06048</b>
315 x 2"	10	11 54 313 *	<b>06049</b>
315 x 3"	10	11 54 314 *	<b>06050</b>
315 x 4"	10	11 54 315 *	<b>06051</b>

N	L	H	Bolts qty.
67	24	52,5	2
67	24	52,5	2
79	31	61,5	2
79	31	61,5	2
79	31	67,5	2
85	50	74,5	2
85	50	74,5	2
85	50	74,5	2
103	52	84,5	2
103	52	84,5	2
103	52	84,5	2
103	52	84,5	2
101	70	103,5	4
101	70	103,5	4
101	70	103,5	4
101	70	103,5	4
101	70	103,5	4
114	75	113	4
114	75	113	4
114	75	113	4
114	75	113	4
114	75	113	4
125	84,5	129	4
125	84,5	129	4
125	84,5	129	4
125	84,5	129	4
125	84,5	129	4
150	99	151	4
150	99	151	4
150	99	151	4
171	99,5	167	4
171	99,5	167	4
171	99,5	167	4
171	99,5	167	4
180	137	188,5	6
180	137	188,5	6
180	137	188,5	6
180	137	188,5	6
208	137	213	6
208	137	213	6
208	137	213	6
208	137	213	6
270	195	247	6
270	195	243	6
270	195	246	6
270	195	252	6
270	195	255,5	6
300	195	273	6
300	195	274,5	6
300	195	271	6
300	195	279	6
300	195	280	6
330	244	295,5	6
330	244	296	6
330	244	296	6
330	243	298	6
330	243	298	6
400	244	376	6
400	244	376	6
400	244	376	6
400	244	376	6
400	244	380,5	6
400	244	384,5	6