



FEATURES

- ✓ Winding filters with polyester resin and fiberglass.
- ✓ Totally anticorrosive.
- ✓ Resistance to salted water.
- ✓ Maximum pressure: 2.5 bar or 4 bar.
- ✓ Filtration bed depth: 1m.
- ✓ Maximum temperature: 50°C.
- ✓ All the connections are assembled with flanges except the Ø63 which comes with racords.
- ✓ Color: RAL 6027.
- ✓ Ø400 plastic top lid.
- ✓ Ø3/4" PVC air drain.
- ✓ Fitted with newly designed larger and more resistant ABS collector arms. Difuser made of unplasticised PVC and polypropilene.
- ✓ 3/4" PVC water drain. Filters with nozzle plate comes with an additional 2 1/2" water drain.
- ✓ Ø90mm sand drain in Ø1050 to Ø1400 models and Ø140mm sand drain in Ø1600 to Ø3000 models.

OPTIONAL

- ✓ Nozzle plate
- ✓ Ø225mm/Ø400mm lateral manhole.
- ✓ Ø135mm sightglass.
- ✓ Double effect air relief valve.
- ✓ Vinylester finish.
- ✓ Laminated connections.

FILTER DETAILS



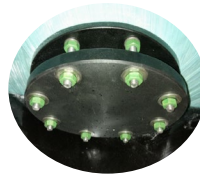
▪ Cone diffuser and internal pipe made of PN-16



▪ Ø400mm plastic top lid



▪ All the connections are assembled with flanges except the Ø63 which comes with racords.

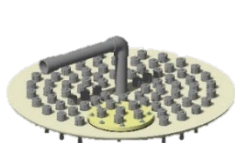


▪ Ø90mm sand drain in Ø1050 to Ø1400 models. Ø140mm sand drain in Ø1600 to Ø3000 models.



▪ 3/4" water drain

FILTER OPTIONS



▪ Nozzle plate



▪ Ø225 or Ø400 mm lateral manhole

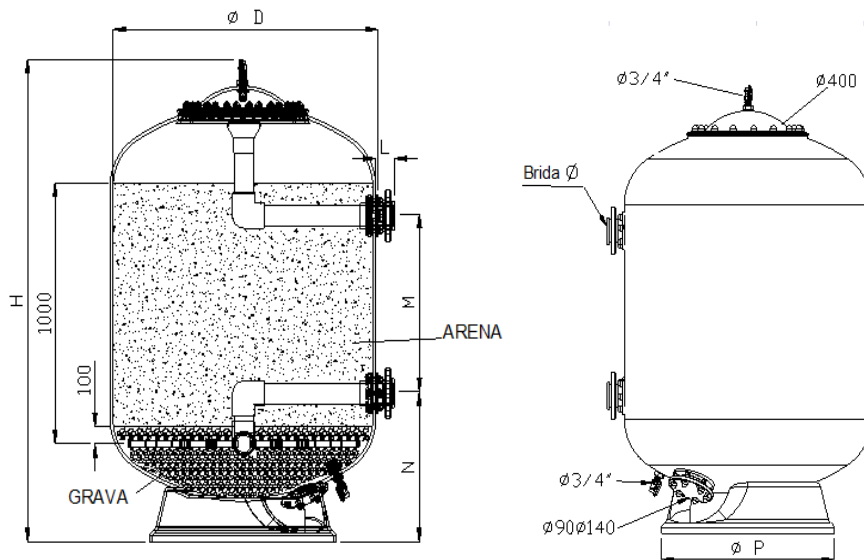


▪ Ø135 mm sightglass



▪ 1" or 2" air relief valve

TECHNICAL DATA														PACKAGING			
Code	Model (mm)	Connections (mm/inch)		Filtering velocity (m³/h/m²)	Filtration Area (m²)	Flow (m³/h)	Maximum pressure (bar)	Sand (0.4-0.8mm) (kg)	Gravel (1-2mm) (kg)	Weight in service (kg)	Volume (l)	H (mm)	M (mm)	N (mm)	P (mm)	Box dimension (m)	Weight (kg)
		mm	inch														
00687	1050	63	2"	20	0.86	17	950	300	2000	1050	1640	645	540	755	1.15 x 1315 x 1.85	130	
00694		75	2 ½"	30/40		25/34											
00707		90	3"	50		43											
00688	1200	75	2 ½"	20/30	1.13	22/33	1375		2700	1500	1780	640	570	940	1.30 x 1.30 x 1.97	165	
00702		90	3"	40/50		45/56											
00689	1400	75	2 ½"	20	1.54	30	1650	450	3700	2000	1755	610	585	1085	1.55 x 1.55 x 1.98	213	
00696		90	3"	30		46											
00703		110	4"	40/50		61/77											
00690	1600	90	3"	20	2.01	40	2150	675	4900	2600	1835	515	680	1230	1.75 x 1.75 x 2	270	
00697		110	4"	30/40		60/80											
00710		125	4 ½"	50		100											
00691	1800	90	3"	20	2.54	50	2800	750	6100	3400	1875	465	720	1370	1.9 x 1.9 x 2.01	300	
00698		110	4"	30		76											
00705		125	4 ½"	40		101											
00711		140	5"	50		125											
33312		160	6"	50		125											
00692	2000	110	4"	20	3.14	62	3800	1050	7900	4400	2040	510	790	1550	2.1 x 2.1 x 2.25	370	
00699		125	4 ½"	30		94											
00706		140	5"	40		125											
05083		160	6"	50		157											
56937	2200	140	5"	30	3.8	114	4650	1900	11200	6520	2390	950	1830	2.3 x 2.3 x 2.64	470		
56938		160	6"	40		152											
00693	2350	125	4 ½"	20	4.34	87	5275	1800	12550	8045	2520	600	965	1859	2.66 x 2.40 x 2.67	530	
00700		140	5"	30		130											
04935		160	6"	40		175											
08695	2500	140	5"	20	4.9	100	5950	2200	13760	9050	2550	450	1080	2000	2.82 x 2.56 x 2.77	780	
08696		160	6"	30		150											
08697		200	7"	40		200											
08699	3000	160	6"	20	7.07	140	8600	3300	20200	12800	2750	440	1100	2365	3.20 x 3.06 x 2.90	1350	
08700		200	7"	30		212											
08701		225	8"	40		282											



TECHNICAL DATA															PACKAGING		
Code	Model (mm)	Connections (mm/inch)		Filtering velocity (m³/h/m²)	Filtration Area (m²)	Flow (m³/h)	Maximum pressure (bar)	Sand (0.4-0.8mm) (kg)	Gravel (1-2mm) (kg)	Weight in service (kg)	Volume (l)	H (mm)	M (mm)	N (mm)	P (mm)	Box dimension (m)	Weight (kg)
		mm	inch														
09209	1050	63	2"	20	0.86	17	950	300	2025	1050	1640	645	540	755	1.15 x 1315 x 1.85	155	
00712		75	2 ½"	30/40		25/34											
00724		90	3"	50		43											
00713	1200	75	2 ½"	20/30	1.13	22/33	1375	2750	1500	1780	640	570	940	1.30 x 1.30 x 1.97	215		
00719		90	3"	40/50		45/56											
09210	1400	75	2 ½"	20	1.54	30	1650	450	3787	2000	1755	610	585	1085	1.55 x 1.55 x 1.98	300	
00714		90	3"	30		46											
00720		110	4"	40/50		61/77											
09211	1600	90	3"	20	2.01	40	2150	675	4960	2600	1835	515	680	1230	1.75 x 1.75 x 2	330	
00715		110	4"	30/40		60/80											
00727		125	4 ½"	50		100											
09212	1800	90	3"	20	2.54	50	2800	750	6200	3400	1875	465	720	1370	1.9 x 1.9 x 2.01	370	
00716		110	4"	30		76											
00722		125	4 ½"	40		101											
00728		140	5"	50		125											
09213	2000	110	4"	20	3.14	62	3800	1050	8005	4400	2040	510	790	1550	2.1 x 2.1 x 2.25	475	
00717		125	4 ½"	30		94											
00723		140	5"	40		125											
05132		160	6"	50		157											
57812	2200	140	5"	30	3.8	114	4650	1900	11310	6520	2390	950	1830	2.3 x 2.3 x 2.64	560		
57813		160	6"	40		152											
09214	2350	125	4 ½"	20	4.34	87	5275	1800	12650	8045	2520	600	965	1859	2.66 x 2.40 x 2.67	630	
09217		140	5"	30		130											
09220		160	6"	40		175											
09215	2500	140	5"	20	4.9	100	5950	2200	13910	9050	2550	450	1080	2000	2.82 x 2.56 x 2.77	930	
09218		160	6"	30		150											
09221		200	7"	40		200											
09216	3000	160	6"	20	7.07	140	8600	3300	20490	12800	2750	440	1100	2365	3.20 x 3.06 x 2.90	1630	
09219		200	7"	30		212											
09222		225	8"	40		282											

