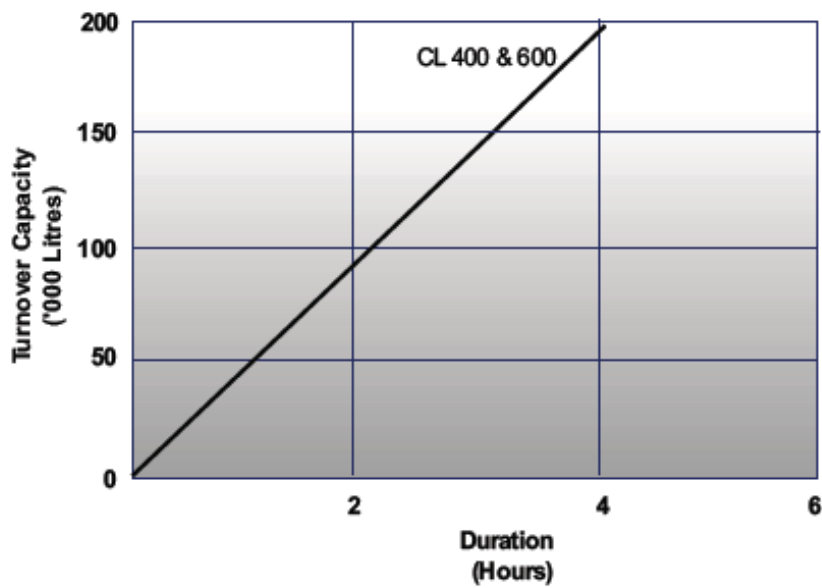
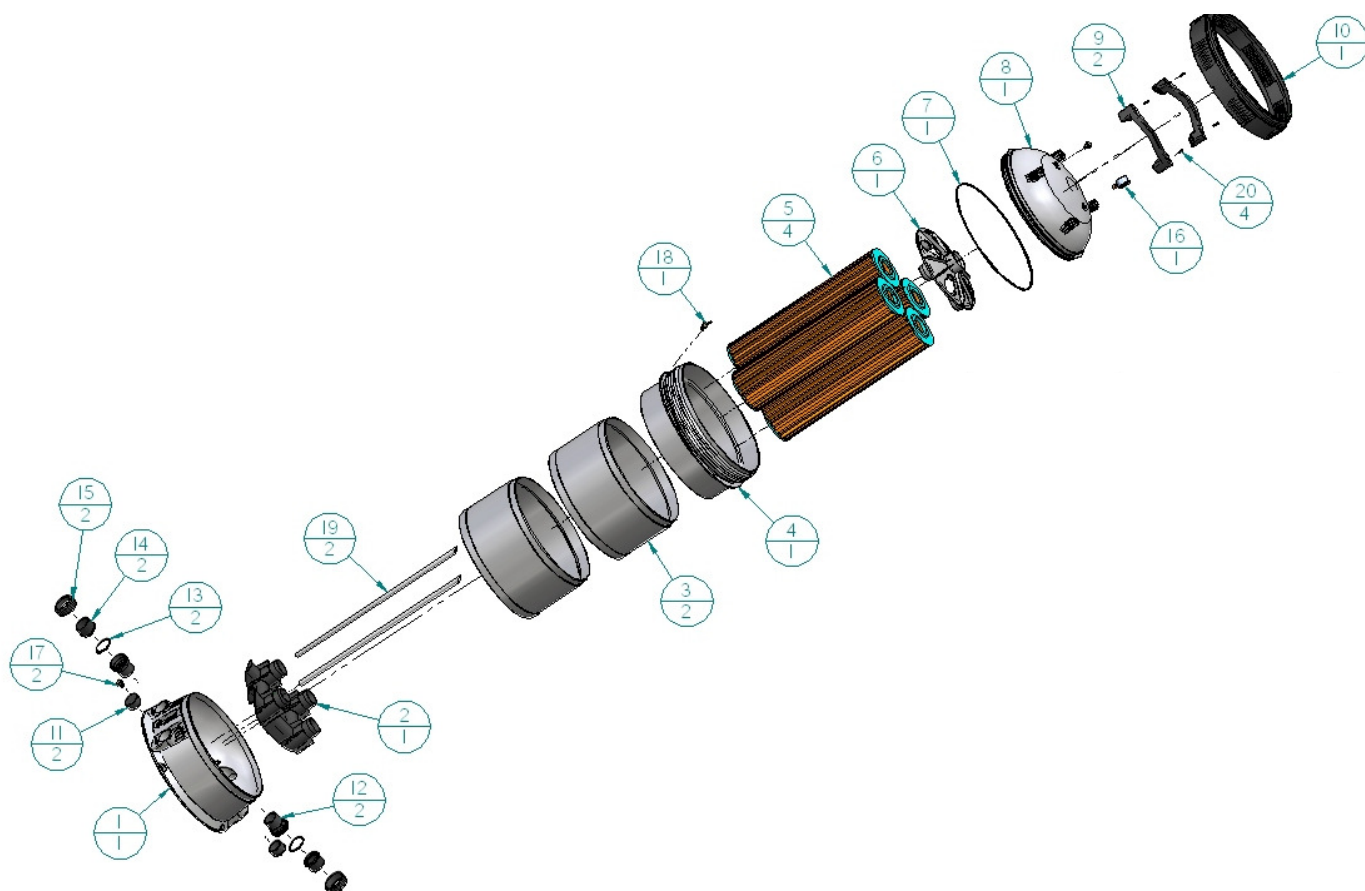


Model	Filter Area	Max Flow rate	Weight	A Dimension	B Dimension
Viron CL 400	38	800	48	734	586
Viron CL 600	57	800	50	1034	586





Ref	Part Number	Description	Qty
5	78083	Element to suit CL 400 filter	4
5	78084	Element to suit CL 600 filter	4
6	76045	Cartridge Locator	1
7	1005501	CL Filter Lid O'ring	1
8	76046	CL Filter Lid	1
9	76047	CL Filter Lid Handle	2
10	76043	CL Filter Lid Locking Ring	1
11	78214	CL Filter Blanking Cap	2
12	950923	CL Filter Slip Tail	4
13	70003	50mm Union O'ring	4
14	950920E	50mm European Tail	4
15	950919	50mm Union Lock Nut	4
16	71580	Oil Filled Pressure Gauge	1
17	7820702	Air Bleed / Water Drain Plug	2
	78103	Air Bleed / Water Drain Plug O'ring	2
18	7821002	CL Filter Lid Locking Device	1