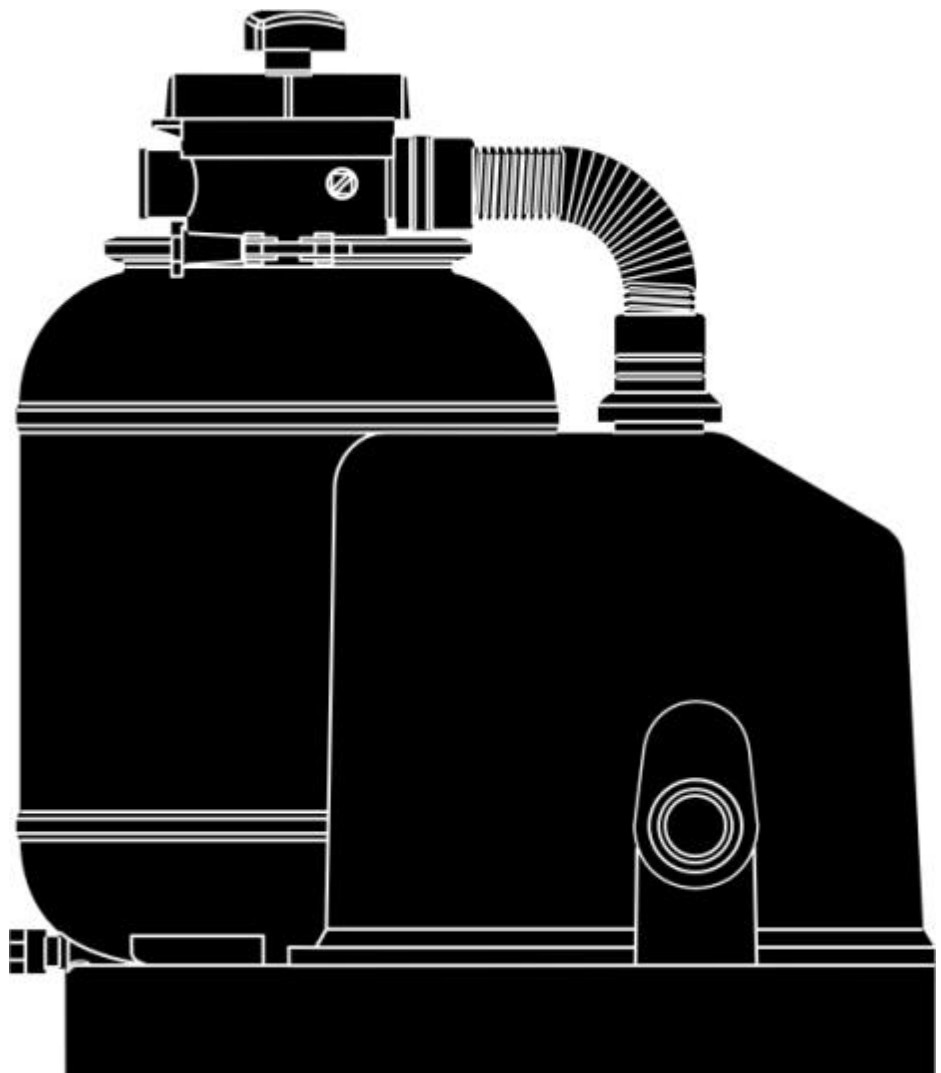


SKID PACK
FILTRO MONOBLOC
FILTER MONOBLOC
MONOBLOCK-FILTER
FILTRO MONOBLOCCO
MONOBLOC-FILTER
FILTRO MONOBLOCO



INSTALLATION AND MAINTENANCE MANUAL
MANUEL D'INSTALLATION ET D'ENTRETIEN
MANUAL DE INSTALACIÓN Y MANTENIMIENTO
EINBAU-UND BETRIEBSANLEITUNG
MANUALE DI INSTALLAZIONE E MANUTENZIONE
GEbruiksaanwijzingen MONOBLOC FILTER
MANUAL DE INSTRUÇÕES E MANUTENÇÃO

Read this manual thoroughly before installing the filter and carefully follow the instructions during installation and use.
Keep this manual for future reference regarding the operation of this apparatus.

SAFETY INSTRUCTIONS. READ CAREFULLY

? All electrical installations should comply with the following standard;

NF C15-100

NF EN 60-335-2-41

that refers “to the construction of electrical installations, both in indoor and outdoor swimming pools”, or the equivalent standard in force in each region or country.

? All filtering should follow the C 15-100 installation standard that stipulates that all electrical apparatus located at less than 3.5 m. from the pool and freely accessible, should be supplied by a very low voltage of 12 V. All apparatus supplied with 220 V should be located at least 3.5 m. from the swimming pool edge. Ask the manufacturer for permission to make any modifications in one or more elements of the filtering system.

? The electrical installation should be performed by professional staff qualified in electrical installations.

? The height of the sand should not exceed 2/3 of the height of the tank.

? The apparatus must not be on while the pool is being used.

? Do not operate the apparatus unless it is properly primed.

? NEVER touch the filter when it is operating if you are wet or have wet hands.

? When handling the filter or valve, DISCONNECT the power supply.

? Make sure that the ground is dry before touching the electrical equipment.

? Do not install the filter where it could become wet, as it may cause electrocution.

? Do not allow children or adults to lean against or sit on the apparatus.

? If the supply flex of the apparatus is damaged, it should be replaced. Read the instructions carefully to replace it. If in doubt, contact the technical service.

1 INSTRUCTIONS FOR MONOBLOC FILTER

The filter which you have just purchased is a device which is especially planned and designed for elevated pools. As a result of its innovative design and high level of functionality, it provides you with the different components required to filter water: filter, pump and selector valve in a single unit. The main components of this filter are as follows:

Fig	Pos	Name
1	1	Filter
1	2	Pump
1	3	<<TOP>> selector valve
1	4	Protective housing
1	5	Drain plug
1	6	Ventilation covers
1	7	Electric power cable

1.1 REQUIREMENTS FOR CORRECT INSTALLATION

This apparatus is easy to install and can be assembled by one adult in about **2 HOURS**, taking care to correctly follow the instructions detailed in this manual.

Only the following tools are required to correctly handle the filter components and to install it.

Task	Tool	Alternative tool
Tighten the hose flanges	7mm Stecker screwdriver	Philips screwdriver
Cut the liner	Cutter	Knife
Protection of collector pipe	Piece of plastic	Piece of fabric

2 BEFORE CONNECTING THE FILTER

2.1 Location

Place the filter on a flat, solid surface at a minimum distance of 3.5 metres from the pool (in accordance with standard **NF C15-100** or the equivalent standard of the region or country) and at the same level as the bottom of the pool to prevent air

from entering the cleansing circuit and the filter from becoming unprimed (Fig. 2). The filter should be protected from sun and rain, and kept it in an area with sufficient ventilation during operation. Never cover it during operation.

2.2 Assembly

Before assembling the filter, assemble the skimmer, following the instructions provided with the skimmer or the swimming pool.

After the filter has been set into place, proceed as follows:

- ? Loosen the screw on the metal band or seal which joins the valve to the filter (Fig.4).
- ? Remove the TOP selector valve and cover the opening of the inner collector tube with protective plastic in order to prevent sand from entering the tube (Fig.5).
- ? Place the inner collector properly on the bottom of the filter (Fig.6).
- ? Insert the sand (25 kg), **NO SUPPLIED**, inside the filter. The silica sand lasts for an unlimited period of time. It should only be replaced if lost. Record the reference for the level of silica sand for future replacement.
- ? Eliminate the remains of sand from the filter opening and remove the protective plastic.
- ? Replace the TOP selector valve with its coupling and secure with the metal band or seal .
- ? Tighten firmly the screw on the metal band which joins the valve to the filter (Fig.4).
- ? Connect the suction and discharge hoses to the suction and discharge terminals on the valve, tightening them firmly with the clamps (Fig.7).
- ? Insert the Teflon supplied on the thread of the skimmer terminal and connect the other end of the suction hose. Tighten firmly with a clamp. Repeat the same procedure with the feedback nozzle terminal and connect the discharge hose.
- ? Following installation, the first cycle of filter backwash should be performed. In order to do so, follow the instructions in the section 5.3.

3 ELECTRIC CONNECTION

All electrical installations should comply with the following standard:

NF C15-100

NF EN 60-335-2-41

that refers "to the construction of electrical installations, both in indoor and outdoor swimming pools", or the equivalent standard in force in each region or country.

The pump must be connected to a 220/230 V. alternating current and 50 Hz power point, with earth connection.
Consumption: 240 W.

An omnipolar switch must be used to ensure there is no power feed to the filter when it is not in use. A 30 mA differential must also be used to protect from electrical breakdowns. (Not supplied. These items can be purchased at electricity shops.)

4 TOP SELECTOR VALVE

The top selector valve on the filter is used to select the 4 different filter functions: filtration (FILTER), backwash, waste and closed. To change the valve setting, proceed as follows:

- ? Always disconnect the socket.
- ? Loosen the upper triangular knob on the valve by turning it until you can lift the cover of the housing and turn it.
- ? Turn the cover until the desired setting is aligned with the return hose, where the anchorage is, and the rib is inserted in its housing (see fig. 12).
- ? Retighten the knob by turning it, but be careful not to **overtighten** as the internal components of the valve may be damaged.

5 OPERATION

The operation of this filter is based on the filtration capacity of the silica sand which is inside. The water in the pool is driven by the filter pump and forced to pass through the silica sand. The sand acts as a filtering element which retains the impurities in the water. The environment, trees, pollen, insects and frequency of bathing, as well as other factors, determine the dirtiness of the water in the pool. Depending on the dirtiness, the silica sand in the filter should be cleaned with greater or less frequency (see section 5.3).

To maintain the pool water in good condition, use the chemical products recommended by the manufacturer (chlorine, alga protection, etc.).

THE CHEMICAL PRODUCT SHOULD NEVER BE PLACED IN THE BASKET OR THROUGH THE FILTER, THIS WOULD DETERIORATE THE MATERIALS OF THE UNIT AND LIMIT ITS EFFICACY.

5.1 Priming the filter

The filter must be correctly primed at all times. If the filter is not primed this means that an air chamber has been created inside which causes defective circulation of water. This fact prevents proper filtration of the water by the silica sand and is detrimental to the motor.

The filter may become unprimed for several reasons:

- ? Starting up a new unit.
- ? Starting up a unit after an extended period of inactivity.
- ? Following use of a suction bottom cleaner.
- ? Air absorbed by the skimmer due to the low level of water in the pool.
- ? Due to incorrect use of the unit, suction cover or skimmer plug.

5.1.1 When is the filter unprimed?

The filter is unprimed when:

- ? The water entering the filter sounds like it is falling freely. This fact indicates that an air chamber has been created between the water inlet and the silica sand.
- ? An excess of air bubbles are released through the feedback nozzle.
- ? The bottom cleaner (not supplied) does not operate with suction, and the silica sand remains clean after the cleansing.

5.1.2 How can we prime the filter?

- ? Verify that the suction hose is connected to the skimmer and the passage is clear (the plug is not in place).
- ? Disconnect the filter from the power point.
- ? With the valve on the filtration setting, slightly loosen the drain nut which is next to the pressure gauge so that the air which has built up inside the filter will be released. If the drain T has not been set in place, loosen the triangular knob until water is released through the waste outlet without bubbles.
- ? When you see that only water is released (for 1 to 2 minutes), retighten the nut.
- ? Connect the filter to the power point and check that the sound of falling water is no longer heard. Otherwise, repeat the operation.

5.2 Filtration

The valve must be in the filtration position (FILTER) fig. 12. The service life of the filter will be longer if the periods of continuous operation do not exceed 4 hours. The need for daily filtration is determined by the volume of water in your pool in m³ in comparison to the m³/h filter flow rate. Leave the motor at a standstill for at least 2 h. between each 4 h period of operation.

$$\frac{\text{Volume of the pool in m}^3}{\text{Filter flow in m}^3/\text{h}} = \text{hours required}$$

Example:

$$\frac{26 \text{ m}^3}{3.5 \text{ m}^3/\text{h}} = 7.42 \text{ hours} \quad \text{2 cycles of 4 hours with an intermediary cycle of 2 hours rest}$$

In the initial filtration treatment it is important to leave the filter at a standstill for the periods indicated.

5.3 Sand backwash

The backwash process cleans the silica sand from inside the filter. This is achieved by reversing the direction of water circulation with the top selector valve. This process should be done regularly. For this purpose you should observe several factors which indicate the dirtiness of the sand:

- ? Decrease in the flow rate of feedback is detected, after checking that the pump is well primed.
- ? Pressure gauge indicates that there is excess pressure (needle pointing between yellow and red, or on red).

5.3.1 For filter backwash, proceed as follows:

- ? Disconnect the filter from the power point. Never move the selector valve while the motor is running.
- ? Loosen the upper triangular knob on the valve by turning it until the cover is lifted from its housing and turned. Place the valve on the backwash setting, reinserting the cover in its housing and retightening the knob by turning it. Do not overtighten the knob as the valve may be damaged. Fig. 12.
- ? Connect the Ø38 mm x 1.5 m. hose to the valve waste (fig 8, pos 8) outlet and direct the other end of the hose to a drain or sewer.
- ? Start up the filter for approximately 2 min (until no further impurities are released with the water).
- ? Stop the filter and leave it at a standstill for 2 min. to allow the silica sand to settle and prevent it from being released into the pool.
- ? Reset the valve to the desired setting (filtration or closed) and remove the hose from the drain outlet.

NEVER HANDLE THE VALVE WHILE THE MOTOR IS RUNNING

5.4 Draining the pool

The following accessory is provided to empty the pool: portable submersible pump.

The filter allows you to drain nearly the entire pool after the bathing season has ended. In order to do so, you should set the top selector valve on the waste setting (fig. 12) without plugging in the filter and connect a hose to the free outlet of the selector valve in order to channel the water to the drain or sewer. Then, depending on the skimmer model, proceed as follows:

5.4.1 Model with wall skimmer for Dream Pools and Jet Pool swimming pools :

- ? Remove the inner basket from the skimmer and cover the suction inlet with the plug supplied for this purpose.
- ? Disconnect the suction hose from the skimmer inlet. Loosen the clamp which secures the hose and support it so that no water leaks and the filter remains primed.
- ? Remove the hose, covering the end so that it remains primed and submerge it immediately in the pool.
- ? Weigh down the end of the suction hose with a heavy object which can not damage the liner so that it is forced to sink to the bottom of the pool.
- ? Start up the pump and drain the pool. Remember that the filter will not fully drain the pool. When a few cm. of water are left and the pump no longer sucks in water, shut it off.
- ? If you are going to refill the pool with water, first manually remove the remaining water without damaging the liner.
- ? If you are going to disassemble the pool, you can fold the bag with the remaining water in the centre and, after removing the plate, unfold the bag in order to drain it fully. This operation should not be performed except to disassemble the pool.

5.4.2 Model with self-supporting skimmer for Magic Pools :

To empty the pool, you can use the pool drain or the cleansing unit:

- ? Raise the self-supporting skimmer until it is hanging outside the pool, to prevent water from entering the skimmer.
- ? Disconnect the suction hose from the skimmer inlet by the outer part of the pool wall. Loosen the clamp which secures the hose carefully so that the liner is not damaged. Hold the hose so that it does not leak and remains primed.
- ? Remove the hose, covering the end so that it remains primed and submerge it immediately in the pool.
- ? Weigh down the end of the suction hose from the skimmer inlet with a heavy object which can not damage the liner so that it is forced to sink to the bottom of the pool.
- ? Start up the pump and drain the pool. Remember that the filter will not fully drain the pool. When the pump no longer sucks in water, shut it off.
- ? If you are going to refill the pool with water, first remove the remaining water through the drain without damaging the pool.

THE HOSE SHOULD NOT CONTINUE TO APPLY SUCTION TO THE BOTTOM OF THE POOL LINER. THE PUMP MAY BE SERIOUSLY DAMAGED IF IT OPERATES WITHOUT WATER CIRCULATION OR WITH SUCTION OF THE LINER.

5.5 Cleaning the bottom of the pool

In order to clean the bottom of the pool, use the pump filter with one of the following accessories:

“Riñón” bottom cleaner, “Oval” bottom cleaner (you will also need a Ø38 mm and the pole). To purchase these items, consult your establishment or ask the After-Sales Service provided by the pool manufacturer. Always use original replacement parts.

A hose which extends beyond the length required to reach all points of the pool is more difficult to use. Cut off the section of the hose which is not needed. Check that the rubber terminals conserve their seal.

5.5.1 Priming the bottom cleaner hose:

Insert the bottom cleaner into the pool vertically, with the pole and the hose connected. Let it fill with water and keep the rest of the hose outside of the water. Continue to insert the hose in the water slowly by 50 cm sections which should be submerged at the same time as they are completely filled with water. Proceed up until the end, when the entire hose is filled with water and submerged. If the hose is not fully primed, the bottom cleaner will not perform suction and the cleansing unit may be damaged if it is forced to operate when it is empty.

5.5.2 Model with wall skimmer for Dream Pools and Jet Pool swimming pools :

Place the suction cover accessory inside the skimmer with the inlet facing upwards. Do not remove the basket. Prime the hose.

Starting **INSIDE OF THE POOL**, place the end of the hose through the skimmer hatch. Make sure that no air enters. Connect it to the suction cover inlet and secure it at an angle to facilitate the connection. Then set it into place in a horizontal position and continue to insert the hose. Be careful not to damage the skimmer hatch during this operation. The skimmer water level must be at the maximum level. It should be located above the connection between the cover and the hose to prevent air from entering.

Start up the pump on the filtration setting and proceed to clean the bottom of the pool.

5.5.3 Model with self-supporting skimmer for Magic Pools :

Remove the upper floating ring of the skimmer. Then, without removing the preliminary filtration basket, place the suction cover accessory on the upper part of the skimmer with the inlet facing upwards and submerge the skimmer inside the pool to a point which ensures that the suction cover does not draw in air.

Prime the hose.

Make sure that no air enters the hose and connect it to the suction cover inlet. The connection of the hose and the cover should always remain submerged in order to prevent air from entering.

Start up the pump and proceed to clean the bottom of the pool.

5.6 Closed setting

The closed setting for the selector valve (fig. 12) is used to prevent water from circulating through the hoses and the filter.

6 REPLACING THE CABLE

If the cable is damaged, proceed as follows:

- ? Disconnect the unit from the power point.
- ? Place the selector valve on the closed setting. Use the plug to close the skimmer, so that only the water in the hose is drained.
- ? Disconnect the hose which joins the pump and the filter. Loosen the clamp and remove the protective cover (Fig. 9).
- ? Loosen the two screws which secure the filter housing and lift the housing (Fig. 10).
- ? Loosen the two screws which secure the cable (Fig. 11).
- ? Disconnect the three terminals in the pump connection box. Take note of their position.
- ? Remove the cable so that it can be replaced. Then, perform the same steps in the opposite order from that described above.

7 MAINTENANCE

After the bathing season has ended, the filter should be kept in a dry place where it is protected from inclement weather. For this purpose, after performing a final backwash to clean the silica sand, dismount the hoses and drain the water in the filter through the tank drain plug until it is completely empty.

After removing all of the water from the filter, carefully clean the remains of silica sand from the thread before replacing the plug. Failure to do so could damage the thread.

The filter tank drain plug should only be used in this operation.

VERY IMPORTANT: Following an extended period of inactivity, before starting up the filter check that the drive shaft is not jammed. Remove the protective housing as shown in section 6. After winding the motor, use a flat screwdriver to move it by the end which is visible through the metal ventilation cover, until it is released and the shaft turns to the right and the left. If it does not turn, clean the wheel of the turbine as shown in section 7.1.

After stoppage for an extended period, it is also recommendable to make sure that the filter is primed before starting up.

7.1 Care of the pump

The filter pump is designed to operate without any specific maintenance. Nevertheless, if the unit is used in pools which are extremely dirty, especially with leaves, this may cause the pump shaft to jam. In this case, proceed as follows:

- ? Disconnect the unit from the power point.
- ? Place the valve on the closed setting.
- ? Insert the sealing plug on the skimmer.
- ? Disconnect the pump suction hose located next to the white housing.
- ? Release the pump-head connection sleeve, starting at the end which projects out beyond the housing.
- ? Disassemble the filter housing, following the same procedure as in replacement of the cable.
- ? Loosen the 9 (nine) screws which secure the cover of the pump body.
- ? Clean the wheel. If you see that it is broken, ask the pool manufacturer about replacement.
- ? Reinsert the pump cover. Ensure that the coupling is fully centred and firmly tightened.
- ? Connect the sleeve to the pump cover.
- ? Reassemble the housing, following the same steps as described for disassembly in the opposite order.
- ? Reassemble the pump suction hose next to the white housing.
- ? Remove the sealing plug from the skimmer.

7.2 Solving breakdowns and technical service

This filter includes instructions which are especially designed for family use. There is no need for professional assistance, except for in special cases. The following are some of the problems and causes which may arise over time after years of service by the filter. Normally you can solve these problems on your own. If not, contact the pool manufacturer at the telephone and time indicated in the instructions.

PROBLEM	CAUSE	SOLUTION
The filter leaks through the hose terminals	Improper connection between the terminals and the hoses.	Place Teflon in the housings. Insert the hose terminals up until the bottom of the housing and tighten the clamps.
After the filter has started up, there is no flow in the feedback nozzle.	The valve is not on the filtration setting.	Disconnect the filter and place the valve on the correct setting.
	The filter is above the level of the unprimed water.	Place the filter in the correct position and prime it.
	The pump is jammed and must be disassembled.	See the section 7.1
	The suction cover or the skimmer plug have been inserted.	Remove the suction cover or the skimmer plug.
Intermittent operation	Low water level on skimmer	Fill the pool and prime the filter.
	The filter is not primed.	Prime the filter.
The flow rate of the filter is low.	Due to use, the filter is dirty.	Perform a backwash.
	The filter is not primed.	Prime the filter.
Water comes out through the filter opening.	The connection between the valve and the filter is dirty.	Clean the sand from the opening. Insert the coupling on the valve properly and tighten the metal band firmly.
	Metal band is loose.	
The filter valve leaks through the drain terminal.	Inner coupling damaged due to improper use of chemical product.	Change the top valve cover. Do not put chemical products in the preliminary filtration skimmer basket.
	Valve head broken due to improper use. (overtightening)	Change the valve head. Do not overtighten.
The motor will not start up. There is no noise or vibration.	No current in the electric line.	Check that there is current in the electric line.
	Loose motor terminals.	Switch on the motor (section 6) and check the motor terminals.
The motor does not start up but a buzzing sound can be heard.	Drive shaft jams after prolonged inactivity.	See section 7
	Condenser damaged (6?F)	This can be purchased in an electricity shop (replacement under product warranty).
Water leaks through the protective housing.	Remove the housing as shown in section 6, and analyse the reason for water loss.	Check the hose clamps. If the leak is between the pump and the motor, contact the After-Sales Service provided by the pool manufacturer.

Lea atentamente este manual antes de instalar el filtro y siga meticulosamente las indicaciones durante la instalación del mismo y durante su uso.

Conserve este manual para futuras consultas acerca del funcionamiento de este aparato.

INDICACIONES DE SEGURIDAD, LEALAS ATENTAMENTE

? En todo lo referente a la instalación eléctrica debe seguirse la normativa:

NF C15-100

NF EN 60-335-2-41

que hace referencia "a la construcción de instalaciones eléctricas, tanto en piscinas cubiertas como en piscinas al aire libre", o la normativa análoga vigente en cada zona o país.

"Todas las filtraciones siguen la norma de instalación C 15-100 que especifica que todo aparato eléctrico ubicado a menos de 3,5 m de la piscina y accesible libremente debe estar alimentado con muy baja tensión 12 V. Todo aparato alimentado en 220 V debe estar ubicado por lo menos a 3,5 m del borde de la piscina. Pedir permiso del fabricante para toda modificación de uno o varios elementos del sistema de filtración"

? La instalación eléctrica debe ser hecha por personal profesional cualificado en instalaciones eléctricas.

? La altura de la arena no debe sobrepasar los 2/3 de la altura del depósito.

? No tenga el aparato en marcha mientras utiliza la piscina.

? No haga funcionar el aparato sin estar correctamente cebado.

? No toque NUNCA el filtro en marcha con el cuerpo húmedo o las manos húmedas.

? Siempre que deba manipular el filtro o la válvula, **DESCONÉCTELO** de la toma de corriente.

? Asegúrese de que el suelo está seco antes de tocar el equipo eléctrico.

? No coloque el filtro donde pueda mojarse, puede causar electrocución.

? No permita ni a niños ni a adultos apoyarse o sentarse sobre el aparato.

? Si el cable flexible de alimentación de este aparato está dañado, debe ser sustituido. Lea detenidamente las instrucciones para su sustitución. Ante la duda consulte con un servicio técnico.

1 INSTRUCCIONES FILTRO MONOBLOC

El filtro que acaba usted de comprar es un aparato especialmente concebido y diseñado para piscinas elevadas. Con un innovador diseño y una gran funcionalidad, dispone usted de los diferentes elementos necesarios para filtrar el agua: Filtro, bomba y válvula selectora en un mismo aparato. Los principales componentes de este filtro son:

Fig Pos Denominación

1	1	Filtro
1	2	Bomba
1	3	Válvula selectora <TOP>
1	4	Carcasa protectora
1	5	Tapón de vaciado
1	6	Tapetas de ventilación
1	7	Cable eléctrico de alimentación

1.1 NECESIDADES PARA UNA CORRECTA INSTALACION

Por su facilidad de instalación este equipo puede ser montado por una sola persona adulta y en un periodo de tiempo de alrededor de **2 HORAS**, con la precaución en todo momento de hacer un correcto seguimiento de las instrucciones detalladas en este manual.

Para una manipulación correcta de los componentes del filtro y su correcta instalación solo son necesarias las siguientes herramientas:

Función	Herramienta	Herramienta alternativa
Apretar las bridas de las mangueras	Destornillador stecker 7mm	Destornillador boca philips
Recortar el liner	Cutter	Cuchilla
Protección del tubo del colector	Trozo de plástico	Trozo de tela

2 ANTES DE CONECTAR EL FILTRO

2.1 Situación

Colocar el filtro sobre una superficie plana y sólida, a una distancia no inferior a 3,5 metros de la piscina (según norma **NF C15-100** o análoga vigente en cada zona o país.) y al mismo nivel del fondo de la piscina para evitar que en el circuito de depuración entre aire y el filtro se descebe (fig. 2). Es conveniente resguardar el filtro del sol y la lluvia, y mantenerlo con una ventilación suficiente durante su funcionamiento, nunca taparlo durante el funcionamiento.

2.2 Montaje

Antes de comenzar con el montaje del filtro realizar el montaje del skimmer, seguir las instrucciones suministradas con el mismo, o con la piscina.

Una vez situado el filtro, proceder como sigue:

- ? Aflojar el tornillo del zuncho o cierre que sujeta la válvula al filtro (Fig.4).
- ? Retirar la válvula selectora TOP y tapar la boca del tubo del colector interior con un plástico protector para evitar la entrada de arena (Fig.5).
- ? Asentar correctamente el colector interior en el fondo del filtro (Fig.6).
- ? Introducir en el interior del filtro 25 Kg de arena, **NO SUMINISTRADA**. (Fig.5). La arena de sílex tiene una duración ilimitada. Sólo debe reponerse en caso de pérdida. Tome la referencia del nivel de arena de sílex para reposiciones futuras.
- ? Eliminar los restos de arena de la boca del filtro y retirar el plástico protector.
- ? Vuelva a colocar la válvula selectora TOP con su junta y colocar el zuncho o cierre.
- ? Apretar fuertemente el tornillo del zuncho que sujeta la válvula al filtro (Fig.4).
- ? Proceda a conectar en los terminales de aspiración y de impulsión de la válvula las mangueras de aspiración y de impulsión, fijandolas fuertemente con las abrazaderas (Fig.7).
- ? Proceda a poner en la rosca del terminal del skimmer el teflón suministrado y conecte el otro extremo de la manguera de aspiración apretando fuertemente con una abrazadera, repita la operación con el terminal de la boquilla de retorno y conecte la manguera de impulsión.
- ? Una vez instalado, deberemos efectuar un primer ciclo de autolavado del filtro, para ello seguiremos lo descrito en el apartado 5.3 .

3 CONEXIÓN ELÉCTRICA

En todo lo referente a la instalación eléctrica debe seguirse la normativa:

NF C15-100

NF EN 60-335-2-41

que hace referencia "a la construcción de instalaciones eléctricas, tanto en piscinas cubiertas como en piscinas al aire libre", o la normativa análoga en cada zona o país.

La bomba se debe conectar a una toma de tensión de 220/230 V de corriente alterna y 50 Hz, con conexión a tierra. Consumo 240 W.

Es imprescindible utilizar un interruptor omnipolar para dejar sin tensión el filtro cuando no lo esté utilizando y un diferencial de 30 mA. para protección de descargas. (No suministrado. Puede adquirirse en establecimientos de electricidad)

4 VÁLVULA SELECTORA SUPERIOR

Mediante la válvula selectora superior del filtro realizamos las 4 diferentes funciones del filtro: filtración (FILTER), lavado (BACKWASH), vaciado (WASTE) y cerrado (CLOSED). Para variar la posición de la válvula, proceder como sigue:

- ? Desconectar siempre el enchufe.
- ? Aflojar el pomo triangular superior de la válvula girandolo hasta que se levanta la tapa de su alojamiento y girarla.
- ? Girar la tapa hasta que la operación deseada esté alineada con la manguera de retorno, donde tiene el anclaje y el nervio quede encajado en su alojamiento (ver fig.12) .
- ? Apretar el pomo de nuevo girandolo, **no excesivamente**, se pueden dañar elementos internos de la válvula.

5 FUNCIONAMIENTO

El funcionamiento de este filtro se basa en la capacidad de filtrado de la arena de sílex que hay en su interior. El agua de la piscina es impulsada por la bomba del filtro y forzada a pasar a través de la arena de sílex, quedando retenidas las impurezas del agua en la arena que actúa de elemento filtrante. El ambiente, árboles, polen, insectos y frecuencia de baños, son entre otros, los factores que determinan la suciedad del agua de la piscina, se deberá limpiar la arena de sílex del filtro con mayor o menor frecuencia, (ver apartado 5.3).

Para mantener en buen estado el agua de la piscina debemos además utilizar los productos químicos aconsejados por el fabricante (cloro, antialgas, etc.).

EN NINGUN CASO EL PRODUCTO QUIMICO DEBE PONERSE EN EL CESTO O A TRAVES DEL FILTRO, ELLO DETERIORARIA LOS MATERIALES DEL APARATO Y LIMITARIA SU EFICACIA

5.1 Cebado del filtro

Es imprescindible que el filtro se encuentre en todo momento correctamente cebado. Que el filtro no este cebado significa que en su interior se ha creado una cámara de aire que provoca una circulación defectuosa del agua, hecho este que impide el correcto filtraje de la misma por parte de la arena de sílex y perjudica el motor.

El filtro puede descebarse por varios motivos:

- ? Puesta en marcha de un equipo nuevo.
- ? Puesta en marcha de un equipo tras un periodo largo de falta de utilización.
- ? Tras utilizar un limpiafondos de aspiración.
- ? Absorción de aire por el skimmer debido a un nivel bajo en el agua de la piscina.
- ? Por una incorrecta utilización del equipo, tapa de aspiración o tapón de skimmer.

5.1.1 ¿Cuándo está descebadado el filtro?

Detectaremos que el filtro está descebadado cuando:

- ? Comprobemos que el sonido del agua entrando en él suena a caída libre, hecho que nos indica que entre la entrada del agua y la arena de sílex se ha creado una cámara de aire.
- ? Comprobemos que por la boquilla de retorno salen burbujas de aire en exceso.
- ? Comprobemos que el limpiafondos (no suministrado) no aspira, teniendo limpia la arena de sílex tras un lavado.

5.1.2 ¿Cómo cebar el filtro?

- ? Comprobar que la manguera de aspiración está conectada al skimmer y el paso abierto (no tiene el tapón puesto).
- ? Desconectar el filtro de la toma de corriente.
- ? Con la válvula en posición de filtrado (FILTER), aflojar ligeramente la tuerca de purga que se encuentra junto al manómetro para que permita salir el aire acumulado en el interior del filtro. Si no ha colocado el manómetro, puede aflojar el pomo triangular hasta que salga agua sin burbujas por la salida de desagüe (WASTE).
- ? Cuando se observe que solo sale agua (entre 1 y 2 minutos), cerrar de nuevo la tuerca de purga.
- ? Conectar el filtro a la toma de corriente y comprobar que ha dejado de oírse el sonido de caída del agua. De lo contrario repetiríamos la operación.

5.2 Filtración

La válvula debe estar en posición de filtrado (FILTER) fig 12. La vida útil del filtro se alarga con periodos de funcionamiento continuado no superiores a 4 h. Sus necesidades de filtración diarias vienen determinadas por el volumen en m³ de agua de su piscina en relación a los m³/h de caudal del filtro. Deje al menos 2 h. de reposo al motor entre cada periodo de funcionamiento de 4 h.

$$\frac{\text{Volumen piscina en m}^3}{\text{Caudal filtro en m}^3/\text{h}} = \text{horas necesarias}$$

Ejemplo:

$$\frac{26 \text{ m}^3}{3,5 \text{ m}^3/\text{h}} = 7,42 \text{ horas} \quad \text{2 ciclos de 4 horas con un ciclo intermedio de 2 horas de descanso}$$

En el tratamiento inicial de filtración debe respetar los periodos de reposo indicados.

5.3 Lavado de la arena

Con el proceso de autolavado procedemos a limpiar la arena de sílex del interior del filtro, para ello se invierte el sentido de circulación del agua mediante la válvula selectora superior. Este proceso debe hacerse con regularidad, para ello se debe estar atento a varios factores que determinan que la arena está sucia:

- ? Que se detecte una disminución del caudal de retorno, una vez comprobado que la bomba está bien cebada.
- ? Que el manómetro nos indique una presión excesiva (aguja indicando entre amarillo y rojo, o sobre rojo).

5.3.1 Para el autolavado del filtro deberemos proceder como sigue:

- ? Desconectar el filtro de la toma de corriente. **No mover nunca la válvula selectora con el motor en marcha.**
- ? Aflojar girando el pomo triangular superior de la válvula hasta que se levanta la tapa de su alojamiento y girarla. Poner la válvula en posición de autolavado (BACKWASH), encajando nuevamente la tapa en su alojamiento girando el pomo, no excesivamente, podría deteriorarse la válvula. Fig 12.
- ? Conectar la manguera de Ø38 mm x 1,5 m a la salida de desagüe (WASTE) fig 8, pos 8, de la válvula y dirigir el otro extremo de la manguera a un desagüe o alcantarilla.
- ? Poner en marcha el filtro durante 2 min. aproximadamente (hasta que dejen de salir impurezas con el agua).
- ? Parar el filtro y dejar reposar durante 2 min. para permitir el asentamiento del sílex y evitar su expulsión a la piscina.
- ? Volver a colocar la válvula en posición deseada (filtrado o cerrado) y retirar la manguera de la salida de desagüe.

NO MANIPULAR EN NINGUN CASO LA VALVULA CON EL MOTOR EN MARCHA

5.4 Vaciado de la piscina

El filtro le permite vaciar casi totalmente la piscina una vez terminada la temporada de baño. Para ello deberá poner la válvula selectora superior en posición de desagüe (WASTE), fig 12 sin enchufar el filtro todavía, conectando una manguera en la salida libre de la válvula selectora para dirigir el agua hacia el desagüe o alcantarilla y, según modelo de skimmer, proceder como sigue:

5.4.1 En el modelo con skimmer de pared Piscinas Dream Pool y Piscinas Jet Pool :

- ? Retirar el cesto interior del skimmer y tapar la aspiración con el tapón suministrado a tal efecto.
- ? Desconectar la manguera de aspiración de la toma del skimmer, aflojando la abrazadera que la sujeta y sujetando la manguera para que no pierda el agua y se descebe.
- ? Retirar la manguera, tapando el extremo para que no se descebe, y sumergirla inmediatamente en la piscina.
- ? Lastrar el extremo de la manguera de aspiración con un objeto pesado que no pueda dañar el liner, para forzar su inmersión hasta el fondo de la piscina.
- ? Poner en marcha la bomba y proceder al vaciado de la piscina. Recuerde que con la ayuda del filtro no se vaciará totalmente la piscina, cuando queden algunos cms de agua y la bomba ya no aspire agua deberá apagarla.
- ? Si va a llenar nuevamente la piscina de agua, antes saque manualmente el agua restante sin dañar el liner.
- ? Si va a desmontar la piscina puede plegar la bolsa con el agua restante en el centro y tras retirar la chapa, desplegar la bolsa para vaciarla completamente. No se debe efectuar esta operación salvo para desmontar la piscina.

5.4.2 En el modelo con skimmer autoportante Piscinas Magic Pool :

Además del desagüe que incorpora la piscina, puede utilizar la depuradora para vaciarla:

- ? Levantar el skimmer autoportante hasta que quede colgando por el lateral exterior de la piscina, para evitar que el agua entre en él.
- ? Desconectar la manguera de aspiración de la toma del skimmer por la parte exterior de la pared de la piscina, aflojando la abrazadera que la sujeta con precaución para no dañar el liner y sujetando la manguera para que no pierda el agua y se descebe.
- ? Retirar la manguera, tapando el extremo para que no se descebe, y sumergirla inmediatamente en la piscina.
- ? Lastrar el extremo de la manguera de aspiración de la toma del skimmer con un objeto pesado que no pueda dañar el liner, para forzar su inmersión hasta el fondo de la piscina.
- ? Poner en marcha la bomba y proceder al vaciado de la piscina. Recuerde que con la ayuda del filtro no se vaciará totalmente la piscina, cuando la bomba ya no aspire agua deberá apagarla.
- ? Si va a llenar nuevamente la piscina de agua, antes saque por el desagüe el agua restante sin dañar la piscina.

EVITAR QUE LA MANGUERA QUEDE SUCCIONANDO EL FONDO DE LINER DE LA PISCINA, PODRIA PERJUDICAR SERIAMENTE LA BOMBA AL FUNCIONAR SIN CIRCULACION DE AGUA O EL LINER POR SUCCION

5.5 Limpieza del fondo de la piscina

Para la limpieza del fondo de la piscina, puede aprovechar la bomba del filtro, con uno de los accesorios siguientes: Limpiafondos "Riñón", Limpiafondos "Oval" (también precisará la manguera de Ø38 mm y la pértiga). Consulte en su establecimiento o con el Servicio Postventa del fabricante de la piscina para su adquisición. Utilice siempre recambios originales.

Una longitud de manguera mayor a la necesaria para llegar a todos los puntos de la piscina dificulta su uso. Recorte el tramo de manguera que le sobre. Vigile que por los terminales de goma no pierda su estanqueidad.

5.5.1 Cebado de la manguera del limpiafondos:

Introducir despacio en el interior de la piscina el limpiafondos con la pértiga y la manguera conectada, verticalmente, dejando que se llene de agua, manteniendo el resto de la manguera fuera del agua. Vaya introduciendo la manguera en el agua despacio por tramos de 50 cm que deben quedar hundidos a la vez que se llenan completamente de agua, hasta el final, donde toda la manguera deberá quedar llena de agua y hundida. Si la manguera no está totalmente cebada, el limpiafondos no aspirará y podremos dañar la depuradora haciéndola trabajar en vacío.

5.5.2 En el modelo con skimmer de pared Piscinas Dream Pool y Piscinas Jet Pool :

Poner en el interior del skimmer el accesorio tapa aspiración con la toma hacia arriba, sin sacar el cesto.

Cebado de la manguera.

Pasar desde EL INTERIOR DE LA PISCINA el extremo de la manguera por la compuerta del skimmer y cuidando que no entre aire en ella, conectarla a la toma de la tapa aspiración, sujetando esta en oblicuo para facilitar la unión. Luego alojarla horizontalmente introduciendo más la manguera. Atención no dañar la compuerta del skimmer en esta operación. El nivel de agua del skimmer debe estar al máximo y por encima de la unión entre la tapa y la manguera para evitar la entrada de aire.

Poner en marcha la bomba en posición de filtrado (FILTER) y proceder al limpiado del fondo de la piscina.

5.5.3 En el modelo con skimmer autoportante Piscinas Magic Pool :

Quitar el anillo superior flotante del skimmer y sin sacar el cesto prefiltro, poner en la parte superior del skimmer el accesorio tapa aspiración con la toma hacia arriba y hundir el skimmer en el interior de la piscina lo suficiente para que la tapa aspiración no tome aire.

Cebarr la manguera.

Cuidando que no entre aire en ella, conectarla a la toma de la tapa aspiración. La unión de la manguera y la tapa debe quedar siempre sumergida para evitar la entrada de aire.

Poner en marcha la bomba y proceder a la limpieza del fondo de la piscina.

5.6 Cierre

La posición de la válvula selectora cerrado (CLOSED) fig. 12 se utiliza para evitar la circulación del agua a través de las mangueras y del filtro.

6 SUSTITUCIÓN DEL CABLE

En caso de deterioro del cable proceder como sigue:

- ? Desconectar el aparato de la toma de corriente.
- ? Situar la válvula selectora en posición de cerrado (CLOSED) y cerrar el skimmer con el tapón para que se vacíe sólo el agua de la manguera.
- ? Desconectar la manguera que va de la bomba al filtro, aflojando la abrazadera, y retirar la tapeta protectora (Fig.9).
- ? Aflojar los dos tornillos que sujetan la carcasa del filtro y levantarla (Fig.10).
- ? Aflojar los dos tornillos que aprisionan el cable (Fig. 11).
- ? Desconectar los tres terminales de la caja de conexión de la bomba, prestando atención a su posición.
- ? Extraer el cable, para sustituirlo, y proceder de modo inverso al descrito.

7 MANTENIMIENTO

Una vez terminada la temporada de baño se deberá guardar el filtro en lugar seco y protegido de la intemperie.

Por este motivo y tras haber hecho un autolavado final para dejar limpia la arena de sílex, se desmontarán las mangueras y se vaciará totalmente de agua el filtro a través del tapón de vaciado del depósito.

Una vez expulsada toda el agua del filtro, limpiar cuidadosamente la rosca de residuos de arena de sílex antes de volver a colocar el tapón, podrian inutilizar la rosca.

El tapón de vaciado del depósito filtro solo debe ser usado en esta operación.

MUY IMPORTANTE: Antes de poner el filtro en funcionamiento tras un largo periodo de inactividad, compruebe, que el eje del motor no se encuentra agarrotado. Quite la carcasa de protección como se indica en el apartado 6, moviendolo con un destornillador plano, por el extremo que aparece a través de la tapa metálica de ventilación, tras el bobinado del motor, hasta que se libere y gire el eje a derecha e izquierda. Si no gira, proceda a la limpieza del rodete de la turbina como se indica en el apartado 7.1.

Es conveniente, asimismo, asegurarse que el filtro está cebado antes de un arranque tras una parada continuada.

7.1 Cuidados de la bomba

La bomba del filtro está preparada para funcionar sin ningún tipo de mantenimiento específico. Sin embargo, la utilización del aparato en piscinas con un alto índice de suciedad, especialmente hojas, puede provocar el atascamiento del eje de la bomba. En tal circunstancia proceder del modo siguiente:

- ? Desconectar el aparato de la toma de corriente.
- ? Poner la válvula en posición cerrado (CLOSED).
- ? Poner el tapón de cierre del skimmer.
- ? Desconectar la manguera de aspiración de la bomba junto a la carcasa blanca.
- ? Soltar el manguito de conexión bomba-cabezal, desde el extremo que sobresale de la carcasa.
- ? Desmontar la carcasa del filtro de igual forma que para sustitución del cable
- ? Aflojar los 9 (nueve) tornillos que sujetan la tapa del cuerpo de la bomba.
- ? Limpiar el rodete. Si ve que está roto, consulte con el fabricante de la piscina para su sustitución.
- ? Volver a montar la tapa de la bomba asegurándose de que la junta queda bien centrada y bien apretada.
- ? Conectar el manguito a la tapa de la bomba.
- ? Volver a montar la carcasa procediendo de modo inverso al descrito para desmontarla.
- ? Volver a montar la manguera de aspiración de la bomba junto a la carcasa blanca.
- ? Quitar el tapón de cierre en el skimmer.

7.2 Solución de averías y servicio técnico.

Este filtro y sus instrucciones están especialmente diseñados para una utilización familiar, sin necesidad de una intervención profesional, salvo en casos excepcionales. Aquí presentamos los problemas y causas que pueden surgir con el paso de los años de vida útil del filtro y que usted puede solucionar. En caso de no poder solucionar su problema, contacte con el fabricante de la piscina en el teléfono y horario señalado en sus instrucciones.

PROBLEMA	CAUSA	SOLUCIÓN
El filtro gotea por los terminales de las mangueras	Mala conexión de los terminales con las mangueras	Poner treflón en los alojamientos, introducir los terminales de las mangueras hasta el fondo del alojamiento y apretar las abrazaderas
Una vez puesto en marcha el filtro, no da caudal en la boquilla de retorno	La válvula no está en la posición de filtrado (FILTER)	Deconectar el filtro y situar la válvula en la posición correcta
	El filtro está por encima del nivel del agua descebado	Situarse el filtro en una posición correcta y cebarlo
	La bomba está atascada y necesita ser desmontada	Ver apartado 7.1
	La tapa de aspiración o el tapón del skimmer están puestos	Quitar la tapa de aspiración o el tapón del skimmer
Funcionamiento intermitente	Nivel del agua en skimmer bajo	Llenar la piscina y cebar el filtro
	El filtro está descebado	Proceder al cebado del filtro
El filtro da poco caudal	A causa de su uso el filtro está sucio	Efectuar un autolavado
	El filtro está descebado	Proceder al cebado del filtro
Sale agua por la boca del filtro	La zona de unión entre la válvula y el filtro está sucia	Limpie la arena de la boca, coloque correctamente la junta en la válvula y apriete fuertemente el zuncho
	El zuncho está flojo	
La válvula del filtro gotea por el terminal de desagüe (WASTE)	Junta interior dañada por uso incorrecto del producto químico	Proceder al cambio de la tapa superior de la válvula No poner el producto químico en el cesto prefiltro del skimmer
	Válvula cabezal rota por uso incorrecto (apriete excesivo)	Cambiar válvula cabezal, no apretar excesivamente
No arranca el motor. No hace ningún ruido ni vibración	Falta corriente en la línea eléctrica.	Verificar que hay corriente en la línea eléctrica
	Terminales flojos en el motor.	Abrir el motor (apartado 6) y revisar los terminales del motor
No arranca el motor pero se oye un zumbido	Eje atascado tras una parada prolongada	Ver apartado 7
	Condensador fundido (6°F)	Puede adquirirse en un establecimiento de electricidad (reposición en garantía del aparato)
Pérdida de agua por la carcasa de protección	Retire la carcasa según apartado 6, y analice la causa de la pérdida de agua	Revise abrazaderas de las mangueras Si pierde entre la bomba y el motor contacte con el servicio postventa del fabricante de la piscina

Lisez attentivement ce manuel avant d'installer le filtre et suivez méticuleusement les indications pendant l'installation de celui-ci et pendant son utilisation.

Conservez ce manuel en vue de futures consultations sur le fonctionnement de cet appareil.

INDICATIONS DE SÉCURITÉ, LISEZ-LES ATTENTIVEMENT

? Pour tout ce qui concerne l'installation électrique, il faut suivre les normes :

NF C15-100

NF EN 60-335-2-41

qui ont trait "à la construction d'installations électriques, aussi bien dans des piscines couvertes que dans des piscines en plein air", ou les normes analogues en vigueur dans chaque région ou pays.

" Toutes les filtrations suivent la norme d'installation NF C 15-100 stipulant que tout appareil électrique situé à moins de 3,50 m du bassin et librement accessible doit être alimenté en très basse tension 12 V. Tout appareil électrique alimenté en 220 V doit être situé au moins à 3,50 m du bord du bassin. Demander l'avis du fabricant pour toute modification d'un ou plusieurs éléments du système de filtration."

? L'installation électrique doit être faite par des professionnels qualifiés en installations électriques.

? La hauteur du sable ne doit pas dépasser les 2/3 de la hauteur du réservoir.

? Veillez à ce que l'appareil ne soit pas en marche pendant que vous utilisez la piscine.

? Ne faites pas fonctionner l'appareil s'il n'est pas amorcé correctement.

? Ne touchez JAMAIS le filtre en marche si vous avez le corps ou les mains humides.

? Chaque fois que vous devez manipuler le filtre ou la vanne, DÉBRANCHEZ-LES de la prise de courant.

? Vérifiez que le sol est bien sec avant de toucher l'équipement électrique.

? Ne placez pas le filtre dans un endroit où il pourrait être mouillé, cela pourrait causer une électrocution.

? Interdisez aux enfants et aux adultes de s'appuyer ou de s'asseoir sur l'appareil.

? Il faut remplacer le câble flexible d'alimentation de cet appareil, s'il est abîmé. Lisez attentivement les instructions

? Pour son installation. Si vous avez un doute quelconque, veuillez consulter un service technique.

1 INSTRUCTIONS FILTRE MONOBLOC

Le filtre dont vous venez de faire l'achat est un appareil spécialement conçu et dessiné pour être utilisé dans des piscines surélevées. Vous avez maintenant à votre disposition un équipement d'une conception innovatrice et d'une grande fonctionnalité comprenant, en un seul appareil, l'ensemble des éléments nécessaires au filtrage de l'eau, c'est-à-dire le filtre, la pompe et la vanne de sélection. Les principaux éléments de ce filtre sont:

Fig.	Pos.	Nom
1	1	Filtre
1	2	Pompe
1	3	Vanne de sélection TOP
1	4	Carcasse de protection
1	5	Bouchon de vidange
1	6	Couvercle des bouches de ventilation
1	7	Câble d'alimentation électrique

1.1 CONSEILS POUR UNE CORRECTE INSTALLATION

Étant facile à monter, cet appareil peut être monté par une seule personne adulte et dans un temps d'environ **2 HEURES**, les instructions détaillées dans ce manuel devant, à tout instant, être suivies correctement.

Pour une manipulation correcte des composants du filtre et pour leur correcte installation, vous n'aurez besoin que des outils suivants :

Fonction	Outil	Outil alternatif
Serrer les colliers des tuyaux	Tournevis stecker 7mm	Tournevis bouche philips
Couper le liner	Cutter	Lame
Protection du tube du collecteur	Morceau de plastique	Morceau de tissu

2 AVANT DE CONNECTER LE FILTRE

2.1 Situation

Placer le filtre sur une surface plane et solide, à une distance d'au moins 3,5 mètres de la piscine (selon la norme **NF C15-100** ou analogue en vigueur dans chaque région ou pays) et au même niveau que le fond de la piscine pour éviter que l'air pénètre dans le circuit d'épuration (fig. 2). Il est recommandé de protéger le filtre du soleil et de la pluie et de toujours avoir suffisamment de ventilation pendant le fonctionnement de l'appareil ; ne jamais le recouvrir pendant le fonctionnement.

2.2 Montage

Avant de commencer à monter le filtre, réaliser le montage du skimmer, suivre les instructions fournies avec ce dernier, ou avec la piscine.

Une fois le filtre mis en place, procéder comme suit :

- ? Dévisser légèrement la fermeture fixant la vanne au filtre (Fig.4).
 - ? Retirer la vanne de sélection TOP et boucher l'orifice du tuyau du collecteur intérieur avec un plastique de protection pour éviter que le sable y pénètre (Fig.5).
 - Loger le collecteur intérieur correctement dans le fond du filtre (Fig.6).
 - ? Introduire à l'intérieur du filtre 25 Kg de sable, **QUI NE LIBRÉ PAS**. (Fig.5). La durée du sable de silex est illimitée. Il ne faut en remettre qu'en cas de perte. Prenez note du niveau qu'atteint le sable de silex pour savoir comment le compléter à l'avenir.
 - ? Éliminer les restes de sable de la bouche du filtre et retirer le plastique de protection.
 - ? Remettre la vanne de sélection TOP et le joint correspondant et placer la fermeture.
 - ? Bien serrer la fermeture fixant la vanne au filtre (Fig.4).
 - ? Connecter sur les bornes d'aspiration et d'impulsion de la vanne les tuyaux d'aspiration et d'impulsion en les fixant fortement au moyen des brides (Fig.7).
 - ? Garnir la partie filetée de la borne du skimmer avec le Téflon qui vous été remis et connecter l'autre extrémité du tuyau d'aspiration en serrant très fort avec une bride. Répéter l'opération avec la borne de la buse de retour et connecter le tuyau d'impulsion.
- ? Une fois installé, il faut effectuer un premier cycle d'autolavage du filtre. Pour ce faire, suivre les instructions données au paragraphe 5.3.

3 BRANCHEMENT ÉLECTRIQUE

Pour tout ce qui a trait à l'installation électrique, il faut suivre les normes :

NF C15-100

NF EN 60-335-2-41

qui se réfèrent "à la construction des installations électriques, aussi bien dans les piscines couvertes que dans les piscines en plein air", ou les normes analogues en vigueur dans chaque région ou pays.

La pompe doit être branchée sur une prise de courant de 220 - 230 V alterné et 50 Hz, avec prise de terre.

Consommation 240 W. Il est indispensable d'utiliser un interrupteur à un seul pôle pour laisser le filtre hors tension

lorsqu'il n'est pas utilisé, ainsi qu'un différentiel de 30 mA. pour se protéger contre les décharges. (Non livré avec l'appareil, peut être acquis dans un magasin de matériel électrique)

4 VANNE DE SÉLECTION SUPÉRIEURE

La vanne de sélection supérieure du filtre est chargée de sélectionner les différentes fonctions du filtre, au nombre de quatre : filtration (FILTER), lavage (BACKWASH), vidange (WASTE) et fermeture (CLOSED). Pour changer la position de la vanne, procéder comme suit :

- ? Toujours débrancher la prise de courant.
- ? Desserrer le pommeau triangulaire supérieur de la vanne en le tournant jusqu'à ce qu'il soit possible de soulever le couvercle de son logement et de le faire tourner.
- ? Faire tourner le couvercle jusqu'à ce que l'opération désirée se trouve en ligne avec le tuyau de retour, où se trouve son ancrage et que le nerf se trouve encastré dans son logement (cf. fig. 12).
- ? Resserrer le pommeau en le tournant, **mais sans exagération**, pour ne pas risquer d'endommager les éléments internes de la vanne.

5 FONCTIONNEMENT

Le fonctionnement de ce filtre se base sur la capacité de filtrage du sable de silex qu'il contient. L'eau de la piscine est impulsée par la pompe du filtre qui la force à passer à travers le sable de silex et les impuretés en suspension dans l'eau sont retenues par le sable agissant comme élément filtrant. L'environnement de la piscine - arbres, pollen, insectes - ainsi que la fréquence des bains sont, entre autres, les facteurs responsables du degré de saleté de l'eau de la piscine, en fonction desquels il faudra laver plus ou moins fréquemment le sable de silex du filtre, (voir paragraphe 5.3).

Pour maintenir l'eau de la piscine en bon état, il faut aussi utiliser les produits chimiques recommandés par le fabricant (chlore, produit antialgues, etc.).

LE PRODUIT CHIMIQUE NE DOIT JAMAIS ÊTRE MIS DANS LE PANIER OU VERSÉ À TRAVERS LE FILTRE, CELA POURRAIT DÉTÉRIORER LES MATÉRIAUX DE L'APPAREIL ET EN LIMITER L'EFFICACITÉ

5.1 Amorce du filtre

Le filtre doit toujours être correctement amorcé. Quand il ne l'est pas, cela signifie qu'il s'est produit une entrée d'air à l'intérieur, qui risque de rendre défectueuse la circulation de l'eau, ce qui empêche le sable de silice de la filtrer comme il faut et abîme le moteur.

Le filtre peut s'être désamorcé pour différentes raisons :

- ? Mise en marche d'un nouvel équipement.
- ? Mise en marche d'un équipement après une longue période de non utilisation.
- ? Après utilisation d'un nettoyeur de fond à système d'aspiration.
- ? Absorption d'air par le skimmer à cause du bas niveau de l'eau dans la piscine.
- ? A cause d'une mauvaise utilisation de l'équipement, du bouchon d'aspiration ou de celui du skimmer.

5.1.1 Quand le filtre est-il désamorcé?

On le détectera dans les cas suivants :

- ? Si l'eau pénétrant dans le filtre fait un bruit de chute libre, cela signifie qu'entre l'entrée de l'eau et le sable de silice il s'est créé une chambre d'air.
- ? Si les bulles d'air sortant de la buse de retour sont trop nombreuses.
- ? Si le nettoyeur de fond (non livré avec l'appareil) n'aspire pas, alors que le sable de silice est propre et vient d'être lavé.

5.1.2 Comment amorcer le filtre?

- ? Vérifier que le tuyau d'aspiration est connecté au skimmer et que la prise d'eau est ouverte (le bouchon n'est pas mis).
- ? Débrancher le filtre de la prise de courant.
- ? Avec la vanne en position de filtrage (FILTER), Desserrer légèrement l'écrou de purge se trouvant à côté du manomètre pour faire sortir l'air accumulé à l'intérieur du filtre. Si le manomètre n'est pas posé, il est possible de desserrer le pommeau triangulaire jusqu'à ce que l'eau sorte par le trop-plein sans faire de bulles d'air (WASTE).
- ? Lorsqu'il ne sort plus que de l'eau (au bout d' 1 ou 2 minutes), refermer l'écrou de purge.
- ? Brancher le filtre à la prise de courant et vérifier qu'on n'entend plus le bruit de chute d'eau. Sinon, il faut répéter l'opération.

5.2 Filtrage

La vanne doit être en position de filtrage (FILTER) Fig. 12. La vie utile du filtre est prolongée par des périodes d'utilisation continue n'excédant pas 4 heures. Vos besoins de filtrage quotidien sont déterminés par le volume d'eau de votre piscine calculés en m³ par rapport aux m³/h de débit du filtre. Il faut laisser le moteur reposer au moins 2 h. entre deux périodes de fonctionnement de 4 heures chacune.

$$\frac{\text{Volume piscine en m}^3}{\text{Débit filtre en m}^3/\text{h}} = \text{heures nécessaires}$$

Exemple :

$$\frac{26 \text{ m}^3}{3,5 \text{ m}^3/\text{h}} = 7,42 \text{ heures} \quad \begin{array}{l} 2 \text{ cycles de 4 heures avec un cycle} \\ \text{intermédiaire de 2 heures de repos} \end{array}$$

Il faut respecter les périodes de temps de repos indiquées lors du traitement initial de filtrage.

5.3 Lavage du sable

Le processus d'autolavage consiste à laver le sable de silice se trouvant à l'intérieur du filtre. Pour ce faire, il faut inverser le sens de circulation de l'eau au moyen de la vanne de sélection supérieure. Ce processus doit avoir lieu régulièrement. Il faut donc faire bien attention aux différents facteurs indiquant que l'eau est sale :

- ? lorsque l'on détecte que le débit de retour de l'eau est plus faible, après avoir vérifié que la pompe était bien amorcée.
- ? lorsque le manomètre indique un excès de pression (l'aiguille se trouvant entre le jaune et le rouge ou sur le rouge).

5.3.1 Pour l'autolavage du filtre, procéder comme suit :

- ? Débrancher le filtre de la prise de courant. Ne jamais bouger la vanne de sélection quand le moteur est en marche.
- ? Desserrer en le tournant le pommeau triangulaire supérieur de la vanne jusqu'à ce qu'il soit possible de soulever le couvercle de son logement et le faire tourner. Mettre la vanne en position d'autolavage (BACKWASH), remettre le couvercle dans son logement en tournant le pommeau, sans exagération, pour ne pas détériorer la vanne, Fig. 12.
- ? Connecter le tuyau de Ø38 mm x 1,5 m au trop-plein (WASTE) fig 8, pos 8, de la vanne et diriger l'autre extrémité du tuyau vers une bouche d'évacuation des eaux ou un égout.
- ? Mettre le filtre en marche pendant environ 2 minutes (jusqu'à ce que l'eau sorte absolument propre).

? Arrêter le filtre et laisser reposer pendant deux minutes, pour permettre au silex de tomber au fond et éviter ainsi qu'il ne soit expulsé vers la piscine.

? Remettre la vanne dans la position désirée (filtrage ou fermé) et retirer le tuyau de sortie du trop-plein.

NE MANIPULER SOUS AUCUN CAS LA VANNE LORSQUE LE MOTEUR EST EN MARCHÉ

5.4 Vidange de la piscine

Pour la vidange de la piscine, vous disposez de l'accessoire suivant : Pompe submersible portative **AR2071**.

Le filtre permet de vider presque totalement la piscine une fois terminée la saison des bains. Pour ce faire, il faut placer la vanne supérieure de sélection en position de vidange (WASTE), Fig. 12, sans mettre encore le filtre en marche et en connectant un tuyau à la sortie libre de la vanne de sélection pour diriger l'eau vers le trop-plein ou l'égout. Selon le modèle de skimmer, procéder comme suit :

5.4.1 Pour les modèles avec skimmer pour mur Piscines Dream Pool et Piscines Jet Pool :

? Retirer le panier intérieur du skimmer et boucher l'aspiration avec le bouchon prévu à cet effet.

? Déconnecter le tuyau d'aspiration de la prise du skimmer, desserrer la bride de fixation et tenir fermement le tuyau pour qu'il ne perde pas l'eau et ne se désamorçe pas.

? Retirer le tuyau en bouchant l'extrémité pour éviter qu'il se désamorçe et le submerger immédiatement dans la piscine.

? Lester l'extrémité du tuyau d'aspiration avec quelque chose de lourd qui ne puisse pas endommager le liner, pour en forcer l'immersion au fond de la piscine.

? Mettre la pompe en marche et vider la piscine. Ne pas oublier que le filtre ne permet pas de vider entièrement la piscine, et lorsqu'il ne restera plus que quelques cm d'eau que la pompe ne pourra plus aspirer, il faudra l'éteindre.

? Si la piscine doit être de nouveau remplie d'eau, il faut d'abord retirer l'eau restante sans endommager le liner.

? Si la piscine va être démontée, on peut replier le sac contenant le reste d'eau au centre et retirer la bonde, puis déplier le sac pour le vider complètement. Cette opération ne doit être effectuée que lorsque l'on veut démonter la piscine.

5.4.2 Pour le modèle avec skimmer autoportant Piscines Magic Pool :

A part le trop-plein faisant partie de la piscine, on peut employer le purificateur pour la vider :

? Soulever le skimmer autoportant jusqu'à ce qu'il pende sur la paroi extérieure de la piscine, pour éviter que l'eau y pénètre.

? Déconnecter le tuyau d'aspiration de la prise du skimmer par la paroi extérieure de la piscine, en desserrant avec précaution la bride qui la fixe pour ne pas endommager le liner et tout en tenant bien le tuyau pour qu'il ne perde pas d'eau et ne se désamorçe pas.

? Retirer le tuyau, en bouchant l'extrémité pour qu'il ne se désamorçe pas et le submerger immédiatement dans la piscine.

? Lester l'extrémité du tuyau d'aspiration avec quelque chose de lourd qui ne puisse pas endommager le liner, pour en forcer l'immersion au fond de la piscine.

? Mettre la pompe en marche et vider la piscine. Ne pas oublier que le filtre ne permet pas de vider entièrement la piscine, et lorsqu'il ne restera plus que quelques cm d'eau que la pompe ne pourra plus aspirer, il faudra l'éteindre.

? Si la piscine doit être de nouveau remplie d'eau, il faut d'abord retirer par le trop-plein l'eau restante sans endommager la piscine

IL FAUT EVITER QUE LE TUYAU NE CONTINUE A ASPIRER LE FOND DE LINER DE LA PISCINE CAR UN FONCTIONNEMENT SANS CIRCULATION D'EAU POURRAIT ENDOMMAGER SERIEUSEMENT LA POMPE OU LE LINER PAR SUCCION.

5.5 Nettoyage du fond de la piscine

Pour nettoyer le fond de la piscine, on peut se servir de la pompe du filtre, avec l'un des accessoires suivants :

Nettoyeur de fonds "Riñón", Nettoyeur de fonds "Oval" (il vous faudra aussi un tuyau de Ø38 mm et une perche).

Consultez votre revendeur ou le Service Après-Vente du fabricant de la piscine. N'utilisez que des pièces de rechange d'origine.

Un tuyau plus long que la longueur nécessaire pour parvenir à tous les points de la piscine complique la manipulation. Mieux vaut couper le morceau en trop. Faites bien attention que les extrémités de caoutchouc ne perdent pas leur étanchéité.

5.5.1 Amorce du tuyau du nettoyeur de fonds:

Introduire délicatement le nettoyeur de fonds avec la perche et le tuyau connecté à l'intérieur de la piscine, verticalement et en le laissant se remplir d'eau, tout en maintenant le reste du tuyau en dehors de l'eau. Introduire ensuite petit à petit le tuyau dans l'eau de 50 cm en 50 cm, les segments introduits devant se remplir complètement d'eau au fur et à mesure qu'ils s'enfoncent. A la fin de l'opération, tout le tuyau doit être plongé dans l'eau et rempli. Si le tuyau n'est pas entièrement amorcé, le nettoyeur de fonds ne pourra pas aspirer et le purificateur pourrait s'endommager en fonctionnant à vide.

5.5.2 Pour le modèle avec skimmer pour mur Piscines Dream Pool et Piscines Jet Pool :

Mettre à l'intérieur du skimmer l'accessoire destiné à boucher l'aspiration avec la prise dirigée vers le haut, sans retirer le panier.

Amorcer le tuyau.

Faire passer depuis L'INTÉRIEUR DE LA PISCINE l'extrémité du tuyau par la vanne du skimmer en faisant attention que l'air n'y rentre pas, la connecter à la prise du bouchon d'aspiration, en le tenant obliquement pour en faciliter le raccord. L'encastrer ensuite horizontalement en introduisant plus profondément le tuyau. Faire bien attention de ne pas détériorer la vanne du skimmer au cours de cette opération.

Le niveau d'eau du skimmer doit être au maximum et au-dessus du raccord entre le bouchon et le tuyau pour éviter la pénétration de l'air.

Mettre la pompe en marche en position de filtrage (FILTER) et procéder au nettoyage du fond de la piscine.

5.5.3 Pour le modèle avec skimmer autoportant Piscines Magic Pool :

Retirer la bague supérieure flottante du skimmer et, sans retirer le panier pré-filtre, placer sur la partie supérieure du skimmer l'accessoire du bouchon d'aspiration avec la prise dirigée vers le haut et plonger le skimmer à l'intérieur de la piscine suffisamment pour qu'il ne pénètre pas d'air dans le bouchon d'aspiration.

Amorcer le tuyau.

Faire attention que l'air n'y pénètre pas et le connecter à la prise du bouchon d'aspiration. Le raccord entre le tuyau et le bouchon doit toujours être submergé pour éviter que l'air y pénètre.

Mettre la pompe en marche et procéder au nettoyage du fond de la piscine.

5.6 Fermeture

On utilise la position FERMÉ de la vanne de sélection (CLOSED) Fig. 12, pour empêcher la circulation d'eau à travers les tuyaux et le filtre.

6 REMPLACEMENT DU CÂBLE

Si le câble est endommagé, procéder comme suit :

- ? Débrancher l'appareil de la prise de courant.
- ? Situer la vanne de sélection en position FERMÉ (CLOSED) et fermer le skimmer avec le bouchon pour ne vider que l'eau du tuyau.
- ? Déconnecter le tuyau qui va de la pompe au filtre, en desserrant la bride et retirer le bouchon de protection (Fig.9).
- ? Desserrer les deux vis fixant la carcasse du filtre et soulever celle-ci (Fig.10).
- ? Desserrer les deux vis emprisonnant le câble (Fig. 11).
- ? Déconnecter les trois bornes du bornier de la pompe, en faisant bien attention à leur position respective.
- ? Extraire le câble, le remplacer et refaire l'opération en sens inverse.

7 ENTRETIEN

Une fois terminée la saison des bains, il faut garder le filtre dans un endroit sec et à l'abri des intempéries.

C'est pourquoi, une fois réalisé un dernier autolavage pour que le sable de silex soit bien propre, il faut démonter les tuyaux et vider complètement d'eau le filtre en la faisant couler par le bouchon de vidange du réservoir.

Lorsqu'il ne reste plus du tout d'eau dans le filtre, nettoyer soigneusement la partie filetée pour qu'il n'y reste plus de sable de silex du tout avant de remettre en place le bouchon, car des résidus pourraient l'endommager. Le bouchon de vidange du réservoir filtre ne doit être utilisé que pour cette opération.

TRÈS IMPORTANT : Avant de remettre le filtre en fonctionnement après une longue période d'inactivité, vérifier que l'axe du moteur ne soit pas grippé. Retirer la carcasse de protection comme indiqué au paragraphe 6, en le faisant bouger avec un tournevis plat et par l'extrémité apparaissant au travers du couvercle métallique de ventilation, derrière la bobine du moteur, jusqu'à ce qu'il se libère et tourne bien de droite à gauche. S'il ne tourne pas, nettoyer le coussinet de la turbine comme indiqué au paragraphe 7.1.

Il est également recommandé de s'assurer que le filtre est bien amorcé avant de le mettre en marche après un arrêt prolongé.

7.1 Soins à apporter à la pompe

La pompe du filtre est préparée pour fonctionner sans aucun type d'entretien spécifique. Pourtant lorsque l'on utilise l'appareil dans des piscines où l'indice de salissure de l'eau est élevé, spécialement à cause des feuilles qui y tombent, l'axe de la pompe peut se bloquer. Si cela se produit, procéder de la façon suivante :

- ? Débrancher l'appareil de la prise de courant.
- ? Mettre la vanne en position FERMÉ (CLOSED).
- ? Poser le couvercle de fermeture du skimmer.
- ? Déconnecter le tuyau d'aspiration de la pompe se trouvant près de la carcasse blanche.
- ? Laisser aller le raccord de connexion pompe-tête, depuis l'extrémité sortant de la carcasse.
- ? Démonter la carcasse du filtre comme pour le remplacement du câble.
- ? Desserrer les 9 (neuf) vis fixant le couvercle du corps de la pompe.
- ? Nettoyer le coussinet. S'il est cassé, consultez le fabricant de la piscine pour savoir comment le remplacer.
- ? Remonter le couvercle de la pompe en s'assurant que le joint est bien centré et bien serré.
- ? Connecter le raccord au couvercle de la pompe.
- ? Remettre la carcasse en place en procédant de façon inverse à l'opération de démontage.

- ? Remettre en place le tuyau d'aspiration de la pompe se trouvant près de la carcasse blanche.
- ? Retirer le bouchon de fermeture du skimmer.

7.2 Résolution de pannes et service technique.

Ce filtre et les instructions données ont été spécialement conçues pour être utilisés en famille, sans avoir à faire intervenir, sauf cas exceptionnel, un professionnel. Nous vous présentons ici quelques-uns des problèmes pouvant se présenter avec le passage des années et la diminution de la vie utile du filtre, ainsi que les causes de ces problèmes, et la solution à y apporter. Si cela s'avère impossible, mettez-vous en contact avec le fabricant de la piscine. Le numéro de téléphone et les horaires sont indiqués sur les instructions.

PROBLÈME	CAUSE	SOLUTION
Le filtre goutte par les bouts des tuyaux	Mauvaise connexion des bouts avec les tuyaux	Mettre du Téflon dans les logements, introduire les extrémités des tuyaux jusqu'au fond de leur logement et bien serrer les brides
Lorsque le filtre est en marche, il n'y a pas de débit dans la buse de retour	La vanne n'est pas en position de filtrage (FILTER)	Débrancher le filtre et placer la vanne dans la bonne position
	Le filtre se trouve au-dessus du niveau de l'eau, désamorçé	Mettre le filtre dans la bonne position et l'amorcer
	La pompe est bloquée et doit être démontée	Voir paragraphe 7.1
	Les bouchons d'aspiration et du skimmer sont en place	Retirer le couvercle d'aspiration ou celui du skimmer
Fonctionne par intermittence	Niveau de l'eau trop bas dans le skimmer	Remplir la piscine et amorcer le filtre
	Le filtre est désamorçé	Amorcer le filtre
Le débit du filtre est faible	Le filtre a été sali par l'usage	Effectuer un autolavage
	Le filtre est désamorçé	Amorcer le filtre
L'eau sort par la buse du filtre	La zone de raccord entre la vanne et le filtre est sale	Retirer le sable de la buse, mettre correctement en place le joint de la vanne et bien serrer la fermeture
	la fermeture est mal serrée	
La vanne du filtre goutte par l'extrémité du trop-plein (WASTE)	Joint inférieur endommagé par le mauvais usage fait d'un produit chimique	Remplacer le couvercle supérieur de la vanne Ne pas mettre ce produit chimique dans le panier supérieur du skimmer
	Vanne tête cassée à cause d'un usage incorrect (trop serrée)	Remplacer la vanne de la tête, et ne pas serrer avec exagération
Le moteur ne démarre pas. Il n'y a ni bruit ni vibration	Pas de courant sur la ligne électrique	Vérifier que le courant arrive bien
	Bornes mal serrées dans le moteur.	Ouvrir le moteur (paragraphe 6) et vérifier les bornes du moteur
Le moteur ne démarre pas mais on entend un bourdonnement	Axe bloqué après un arrêt prolongé	Voir paragraphe 7
	Condensateur fondu (6?F)	Peut se trouver dans un magasin de matériel électrique (remplacement gratuit si l'appareil est en garantie)
Perte d'eau par la carcasse de protection	Retirer la carcasse comme indiqué au par. 6, et analyser la cause de la perte d'eau	Vérifier les brides des tuyaux Si l'eau fuit entre la pompe et le moteur, mettez-vous en contact avec le fabricant de la piscine

Lesen Sie sich dieses Handbuch aufmerksam durch, bevor Sie das Filter installieren, und befolgen Sie die Anweisungen bei der Installation und dem Gebrauch des Filters genau.
Bewahren Sie dieses Handbuch auf, falls Sie zu einem späteren Zeitpunkt Informationen über die Funktion dieses Apparates nachschlagen möchten.

SICHERHEITSHINWEISE, BITTE AUFMERKSAM LESEN

? Bei der gesamten Installation elektrischer Komponenten muss folgende Norm befolgt werden:

NF C15-100

NF EN 60-335-2-41

Diese Norm bezieht sich auf *“den Aufbau von elektrischen Installationen in Hallenbädern und Freibädern”*. Ebenso müssen die Normen befolgt werden, die in jeder Region oder jedem Land anwendbar sind.

“Alle Filtereinrichtungen entsprechen der Norm für die Installation C 15-100, die angibt, dass alle elektrischen Apparate, die sich in weniger als 3,5 m Entfernung vom Schwimmbad befinden und frei zugänglich sind, mit einer Niederspannung von 12 V gespeist werden müssen. Alle Apparate, die mit 220 V gespeist werden, müssen sich mindestens 3,5 m vom Rand des Schwimmbeckens entfernt befinden. Wenn ein oder mehrere Elemente des Filtersystems geändert werden sollen, muss der Hersteller die entsprechende Genehmigung erteilen”

- ? Die elektrische Installation muss von Fachleuten für elektrische Installationen durchgeführt werden.
- ? Die Höhe des Sandes darf nicht mehr als 2/3 der Höhe des Tanks betragen.
- ? Lassen Sie den Apparat nicht angeschaltet, wenn Sie das Schwimmbecken benutzen.
- ? Lassen Sie den Apparat nie laufen, ohne ihn vorher korrekt gefüllt zu haben.
- ? Berühren Sie NIE den angeschalteten Filter, wenn Ihr Körper oder Ihre Hände naß sind.
- ? Immer, wenn Sie am Filter oder dem Ventil arbeiten müssen, UNTERBRECHEN Sie die Stromverbindung.
- ? Vergewissern Sie sich, daß der Boden trocken ist, bevor Sie die elektrische Ausrüstung berühren.
- ? Setzen Sie den Filter nie dort ein, wo er naß werden kann. Das kann zu einem tödlichen Stromschlag führen.
- ? Erlauben Sie nicht, daß sich Kinder oder Erwachsene an den Apparat anlehnen oder auf ihn setzen.
- ? Wenn das flexible Kabel für den Stromanschluß beschädigt ist, muß es ausgetauscht werden. Lesen Sie aufmerksam die Anweisungen für den Austausch. Im Zweifelsfalle ist der Kundendienst zu befragen.

1 ANWEISUNGEN MONOBLOCK-FILTER

Bei dem soeben von Ihnen erstellten Filter handelt es sich um einen Apparat, der speziell für die Verwendung bei erhöhten Schwimmbecken erdacht und hergestellt wurde. Dank seines innovativen Designs und der großen Funktionsfähigkeit verfügen Sie über die unterschiedlichen Elemente, die für das Filtern von Wasser erforderlich sind: Filter, Pumpe und Wechselventil in ein und demselben Apparat. Die wichtigsten Teile dieses Filters sind:

Fig	Pos	Name
1	1	Filter
1	2	Pumpe
1	3	Wechselventil <<TOP>>
1	4	Schutzhaube
1	5	Auslaufdeckel
1	6	Belüftungsdeckel
1	7	Kabel für die Elektrozufuhr

1.1 VORRAUSSETZUNGEN FÜR DIE KORREKTE INSTALLATION

Die Installation dieser Anlage ist sehr einfach, deshalb kann ein Erwachsener sie in ungefähr **2 STUNDEN** fertigstellen. Dabei müssen die Anleitungen in diesem Handbuch genau befolgt werden.

Folgende Werkzeuge sind für den korrekten Umgang und Einbau der Filterkomponenten notwendig:

Funktion	Werkzeug	Alternatives Werkzeug
Anziehen der Klemmen der Schläuche	Schraubendreher 7 mm	Schraubendreher Typ Philips
Ausschneiden des Liner	Cutter	Messer
Schutzabdeckung des Rohrs des Auffangs	Ein Stück Kunststoff	Ein Stück Stoff

2 VOR DEM ANSCHLUSS DES FILTERS

2.1 Lage

Das Filter auf einer flachen und festen Unterfläche anbringen, und zwar in einem Abstand unter 3,5 m vom Schwimmbecken entfernt (laut Norm NF C15-100 oder analoger in der jeweiligen Region oder im jeweiligen Land gültigen Norm) oder auf dem Boden des Schwimmbeckens, um zu vermeiden, dass in den Reinigungskreislauf Luft eindringt und sich das Filter löst. (Zeichng. 2). Es ist ratsam, den Filter vor Sonne und Regen zu schützen und für ausreichende Belüftung zu sorgen, wenn er arbeitet.

2.2 Montage

Bevor mit der Montage des Filters begonnen wird, muss der Skimmer, laut der im Skimmer oder im Schwimmbad mitgelieferten Anweisungen montiert werden.

Nach erfolgter Aufstellung des Filters ist wie folgt vorzugehen:

- ? Die Klammerschraube oder den Verschluss, der das Ventil am Filter festhält, lösen (Zeichng. 4)
- ? Das Wechselventil TOP entfernen und die Rohröffnung des inneren Behälters mit einem Plastikschatz abdecken, um zu vermeiden, daß Sand eindringt (Zeichng. 5)
- ? Der Innenbehälter wird korrekt auf den Boden des Filters gesetzt (Zeichng. 6).
- ? 25 kg Sand in den Filter schüttern (Zeichng. 5), Sand ist **NICHT** im Lieferumfang eingeschlossen!. Das Silikagel hat eine uneingeschränkte Lebensdauer. Es muß nur bei Verlust nachgefüllt werden. Nehmen Sie als Referenz für zukünftige Nachfüllungen die Einschütthöhe des Silikagels.
- ? Beseitigen Sie die Sandreste am Filtereintritt und entfernen Sie den Plastikschatz.
- ? Setzen Sie erneut das Wechselventil TOP zusammen mit seiner Dichtung auf und bringen Sie die Schellen oder den Verschluss an.
- ? Ziehen Sie die Klammerschraube, die das Ventil am Filter festhält (Zeichng. 4), fest an.
- ? Verbinden Sie jetzt die Ansaug- und Ausstoßschläuche mit den entsprechenden Endstücken des Ventils und befestigen Sie sie mit den Schellen (Zeichng. 7).
- ? Umwickeln Sie die Schraube des Endstückes des Skimmers mit dem mitgelieferten Teflon und befestigen Sie mit der Schelle das andere Ende des Ansaugschlauches. Wiederholen sie diesen Vorgang mit dem Endstück der Rückflußdüse und befestigen Sie den Ausstoßschlauch.
- ? Nach der Installierung muß eine erste automatische Reinigung vorgenommen werden. Hierzu ist nach den Angaben des Absatzes *Filterwaschung* im Kapitel über die Arbeitsweise vorzugehen.

3. ELEKTROANSCHLUSS

Bei der gesamten Installation elektrischer Komponenten muss folgende Norm befolgt werden:

NF C15-100

NF EN 60-335-2-41

Diese Norm bezieht sich auf "den Aufbau von elektrischen Installationen in Hallenbädern und Freibädern". Ebenso müssen die Normen befolgt werden, die in jeder Region oder jedem Land anwendbar sind.

Die Pumpe muß an einen 220/230 V 50 Hz Wechselstromanschluß mit Erdung angeschlossen werden. Verbrauch 240 W.

Es muß unbedingt ein Allpolschalter verwendet werden, damit der Filter bei Nichtbenutzung vom Strom abgeschaltet werden kann. Außerdem ist ein 30 mA Differential gegen Elektroschläge zu verwenden. (Gehört nicht zum Lieferumfang und kann im Elektrohandel erworben werden).

4 OBERES WECHSELVENTIL

Mithilfe des oberen Wahlventils des Filters werden die vier verschiedenen Funktionen des Filters durchgeführt: Filtern (FILTER), Reinigen (BACKWASH), Entleeren (WASTE) und Schließen (closes). Zur Veränderung der Ventilstellung muß wie folgt vorgegangen werden:

- ?? Der Stecker muß immer herausgezogen werden.
- ?? Den dreieckigen, oberen Kunststoffgriff des Ventils so lange drehen, bis der Deckel herauskommt, dann den Deckel drehen.

- ?? Den Deckel solange drehen, bis die gewünschte Operation mit dem Rückschlauch in Linie ist. Dort ist er verankert und die Leiste befindet sich in ihrer Aufnahme (siehe Abbl 12).
- ?? Den Griff erneut drücken und drehen. **Nicht zu fest** drehen, sonst könnten Elemente im Inneren des Ventils beschädigt werden.

5 ARBEITSWEISE

Die Arbeitsweise dieses Filters basiert auf der Filterkapazität des Silikagels, das sich in seinem Inneren befindet. Das Wasser aus dem Schwimmbecken wird von der Filterpumpe ausgestossen und durch das Silikagel gedrückt, wobei die Verschmutzung des Wassers im Sand, der wie ein Filterelement arbeitet, zurückgehalten wird. Das Umfeld, Bäume, Blütenstaub, Insekten und Badefrequenz sind unter anderem Faktoren, die die Verunreinigung des Wassers bestimmen. Das Silikagel muß daher mehr oder weniger oft gereinigt werden (siehe hierzu den Abschnitt *automatischer Reinigungsvorgang*)

Um das Wasser im Schwimmbecken in gutem Zustand zu halten, müssen außerdem die vom Hersteller empfohlenen chemischen Produkte verwendet werden (Chlor, Algenschutzmittel, u.s.w.).

AUF KEINEN FALL GEHÖRT DAS CHEMISCHE PRODUKT IN DEN KORB ODER DARF ÜBER DEN FILTER EINGELEITET WERDEN. DAS WÜRDIE DIE MATERIALIEN DES APPARATES BESCHÄDIGEN UND SEINE WIRKSAMKEIT EINSCHRÄNKEN

5.1. Filterfüllung

Es ist unbedingt erforderlich, daß der Filter immer korrekt gefüllt ist. Wenn der Filter nicht gefüllt ist, kann sich in seinem Inneren eine Luftkammer bilden, die einen defekten Umlauf des Wassers bewirkt. Das macht ein korrektes Filtern durch das Silikagel unmöglich und schadet dem Motor.

Der Filter kann sich aus folgenden Gründen leeren:

- ? Inbetriebnahme einer neuen Anlage.
- ? Inbetriebnahme einer Anlage, die während eines längeren Zeitraums nicht benutzt wurde.
- ? Nach einer Reinigung des Bodens durch Saugen.
- ? Luftansaugung über den Skimmer aufgrund eines zu niedrigen Wasserspiegels im Schwimmbecken.
- ? Durch eine falsche Benutzung der Anlage, den Ansaugdeckel oder Skimmerpfropfen.

5.1.1. Wann ist der Filter leer?

Wir stellen fest, daß der Filter leer ist, wenn:

- ? wir bemerken, daß das Wasser, das durch ihn fließt, ein fallendes Geräusch verursacht. Das zeigt uns an, daß sich zwischen dem Wassereintritt und dem Silikagel eine Luftblase gebildet hat.
- ? wir bemerken, daß aus der Rückflußdüse zu viele Luftblasen austreten.
- ? wir bemerken, daß der Bodenreiniger (gehört nicht zum Lieferumfang) nicht saugt, obwohl das Silikagel nach einer Reinigung sauber ist.

5.1.2. Wie ist der Filter zu füllen?

- ? Man muß überprüfen, ob der Ansaugschlauch am Skimmer befestigt und der Durchfluß geöffnet ist. (Der Pfropfen ist entfernt).
- ? Die Stromzufuhr zum Filter wird unterbrochen.
- ? Mit dem Ventil in der Stellung Filtern (FILTER) wird die Entleerungsschraube, die sich neben dem Manometer befindet, leicht gelockert, damit die sich im Inneren des Filters angesammelte Luft entweichen kann. Wenn das T-Stück für die Entleerung nicht angebracht wurde, kann der dreieckige Knopf gelockert werden, bis Wasser ohne Luftblasen aus dem Abflußloch (WASTE) austritt.
- ? Wenn beobachtet wird, daß nur noch Wasser ausfließt (nach 1 bis 2 Minuten), ist die Schraube für die Entleerung wieder zu schließen.
- ? Der Filter wird an das Stromnetz angeschlossen. Es ist darauf zu achten, daß das Geräusch von fallendem Wasser nicht mehr zu hören ist. Sollte dies noch der Fall sein, ist der Vorgang zu wiederholen.

5.2. Filtrieren

Das Ventil muss sich in Filterposition befinden (FILTER) Abb. 12. Die Lebensdauer des Filters wird verlängert, wenn er nicht länger als 4 Stunden hintereinander arbeitet. Ihr täglicher Filterbedarf richtet sich nach den m³ Wasservolumen in Ihrem Schwimmbecken in bezug auf die m³ / Durchflußmenge des Filters. Lassen Sie den Motor nach einer Laufzeit von 4 h wenigsten 2 h ruhen.

$$\frac{\text{Volumen im Schimmbad in m}^3}{\text{Filterdurchflußmenge m}^3} = \text{notwendige Stunden}$$

Beispiel:

$$\frac{26 \text{ m}^3}{3,5 \text{ m}^3/\text{h}} = 7,42 \text{ Stunden} \quad \begin{array}{l} 2 \text{ Zyklen pro Stunde mit einem} \\ \text{Zwischenzyklus von 2 Stunden Pause} \end{array}$$

Beim ersten Filtrivorgang müssen die angegebenen Ruhepausen eingehalten werden.

5.3. Waschen mit Sand

Bei der automatischen Reinigung des Filters muß das Silikagel im Inneren des Filters gereinigt werden. Hierfür wird mit dem oberen Wechselventil die Laufrichtung des Wassers umgedreht. Dieser Vorgang muß regelmäßig vorgenommen werden, weshalb auf einige Faktoren zu achten ist, die anzeigen, ob der Sand verschmutzt ist:

- ? eine Verringerung des Rückflusses ist zu bemerken, obwohl überprüft wurde, daß die Pumpe gefüllt ist.
- ? das Manometer zeigt einen zu hohen Druck an (die Nadel steht zwischen Gelb und Rot oder auf Rot)).

5.3.1. Zum automatischen Reinigungsvorgang des Filters ist wie folgt vorzugehen:

- ? Die Stromzufuhr zum Filter wird unterbrochen. Das Wechselventil darf nie bei laufendem Motor betätigt werden.
- ? Den dreieckigen, oberen Kunststoffgriff des Ventils so lange drehen, bis der Deckel herauskommt, dann den Deckel drehen. Das Ventil in die Position Automatisches Waschen (BACKWASH) stellen, den Deckel wieder in die Aufnahme bringen, indem der Griff gedreht wird. Nicht zu fest drehen, sonst könnte das Ventil beschädigt werden. Abb. 12.
- ? Einen Schlauch mit den Maßen Ø38 mm x 1,5 mm an den Wasserablass des Ventils (WASTE) anschließen, Abb. 8, und das andere Ende des Schlauchs in einen Abfluss hängen.
- ? Der Filter wird für ungefähr 2 min. angestellt (bis das Wasser ohne Verschmutzungen austritt).
- ? Der Filter wird wieder abgestellt und ruht 2 min. lang, um das Absetzen des Silikagels zu ermöglichen. Dadurch wird vermieden, daß es in das Schwimmbecken geschleudert wird.
- ? Das Ventil wird wieder in die gewünschte Stellung gebracht (Filtern oder Schließen) und der Schlauch vom städtischen Entwässerungsnetz entfernt.

AUF GAR KEINEN FALL DARF DAS VENTIL BEI LAUFENDEM MOTOR BETÄTIGT WERDEN

5.4. Entleeren des Schwimmbeckens

Der Filter erlaubt es Ihnen, Ihr Schwimmbecken fast vollständig am Ende der Badesaison zu leeren. Hierzu muß das obere Wechselventil auf der Stellung Entleerung (WASTE) stehen. Bevor der Filter eingeschaltet wird, wird am freien Auslauf des Wechselventils ein Schlauch angebracht, um das Wasser zum Abfluß oder städtischen Entwässerungsnetz führen zu können. Je nach Skimmer ist wie folgt vorzugehen:

5.4.1. Beim Modell mit Wandskimmer Piscinas Dream Pool und Piscinas Jet Pool :

- ? Der Korb im Skimmer wird herausgenommen und die Ansaugöffnung mit einem hierfür gelieferten Deckel abgedeckt.
- ? Der Ansaugschlauch wird vom Skimmer entfernt, indem man die Schelle, die ihn festhält, lockert und den Schlauch festhält, damit der Skimmer kein Wasser verliert und sich entleert.
- ? Der Schlauch wird abgenommen und sein Ende abgedeckt, damit er sich nicht entleert. Er wird sofort in das Schwimmbecken eingetaucht.
- ? Das Ansaugende des Schlauches wird mit einem Gewicht beschwert, welches den Liner nicht beschädigen darf, um zu erreichen, daß der Schlauch bis auf den Boden des Schwimmbeckens eintaucht.
- ? Die Pumpe wird angestellt und jetzt wird mit der Entleerung des Schwimmbeckens begonnen. Beachten Sie, daß das Schwimmbecken mit Hilfe des Filters nicht vollständig entleert werden kann. Wenn nur noch einige Zentimeter Wasser zurückbleiben, muß die Pumpe abgestellt werden, sobald sie kein Wasser mehr aufsaugt.
- ? Wenn Sie das Schwimmbecken erneut mit Wasser füllen, muß vorher manuell das Restwasser ausgelassen werden, ohne den Liner zu beschädigen.
- ? Wenn Sie das Schwimmbecken abbauen, kann das restliche Wasser im Zentrum der Plane verbleiben und nach Entfernen des Blechs kann die Plane geöffnet werden, um das Wasser vollständig auslaufen zu lassen. Dieser Vorgang darf nur bei der Abmontage des Schwimmbeckens vorgenommen werden.

5.4.2. Beim Modell mit selbsttragendem Skimmer Piscinas Magic Pool :

Abgesehen von der Entleerungsöffnung, über die das Schwimmbecken verfügt, kann auch die Reinigungsanlage zum Entleeren benutzt werden:

- ? Der selbsttragende Skimmer wird angehoben, bis er an der Außenwand des Schwimmbeckens hängt. So wird vermieden, daß Wasser in ihn eindringt.
- ? Der Ansaugschlauch des Skimmers wird an der Außenseite des Schwimmbeckens entfernt, indem man die Schelle, die ihn festhält, vorsichtig lockert, um den Liner nicht zu beschädigen. Der Schlauch wird festgehalten, damit er sich nicht entleert.
- ? Der Schlauch wird entfernt und sein Ende abgedeckt, damit er sich nicht entleert. Er wird sofort in das Schwimmbecken eingetaucht.
- ? Das Ansaugende des Skimmers wird mit einem Gewicht beschwert, welches den Liner nicht beschädigen darf, um zu erreichen, daß der Schlauch bis auf den Boden des Schwimmbeckens eintaucht.
- ? Die Pumpe wird angestellt und jetzt wird mit der Entleerung des Schwimmbeckens begonnen. Beachten Sie, daß mit dem Filter das Schwimmbecken nicht vollständig entleert werden kann. Die Pumpe muß abgestellt werden, sobald sie kein Wasser mehr aufsaugt.

VERMEIDEN SIE, DAß SICH DER SCHLAUCH AUF DEM BODEN DES SCHWIMMBECKENLINERS ANSAUGT. DAS KÖNNTE ERNSTHAFT DIE PUMPE BESCHÄDIGEN, WEIL SIE OHNE WASSER LÄUFT, ODER ABER DURCH DIE ANSAUGUNG DEN LINER.

5.5. Reinigung des Schwimmbeckenbodens

Zur Reinigung des Schwimmbeckenbodens kann die Filterpumpe mit einem der folgenden Zubehörteile verwendet werden:

Bodenreiniger "Riñón", Bodenreiniger "Oval" (Man benötigt außerdem den Schlauch Ø38 mm und den Stab). Fragen Sie in Ihrem Geschäft nach oder beim Kundendienst des Schwimmbeckenherstellers. Verwenden Sie immer Originalersatzteile.

Wenn der Schlauch länger als erforderlich zum Erreichen sämtlicher Stellen im Schwimmbecken ist, wird seine Handhabung schwierig. Schneiden Sie das überflüssiger Schlauchende ab. Achten Sie darauf, daß die Gummienden nicht undicht werden.

5.5.1. Füllen des Schlauches für die Bodenreinigung:

Der Bodenreiniger mit dem Stab und dem vertikal angeschlossenen Schlauch wird langsam in das Schwimmbecken eingeführt, wobei letzterer sich mit Wasser füllt. Der Rest des Schlauches bleibt außerhalb des Wassers. Jetzt wird der Schlauch in Längen von jeweils 50 cm langsam in das Wasser eingelassen. Diese müssen sich mit Wasser vollsaugen und eintauchen. Bei Beendigung dieses Vorganges muß der ganze mit Wasser gefüllte Schlauch eingetaucht sein. Sollte der Schlauch nicht vollkommen gefüllt sein, kann der Bodenreiniger nicht saugen. Die Reinigungsanlage kann defekt werden, wenn sie leer läuft.

5.5.2. Beim Modell mit Wandskimmer Piscinas Dream Pool und Piscinas Jet Pool :

In das Innere des Skimmers wird das Zusatzteil Deckel für die Ansaugung mit der Öffnung nach oben eingeführt, ohne den Korb herauszunehmen.

Der Schlauch wird gefüllt. Von der INNENSEITE DES SCHWIMMBECKENS her wird das Schlauchende durch die Kammer des Skimmers geführt, wobei darauf zu achten ist, daß keine Luft eindringt. Er wird am Ansaugdeckel angeschlossen, wobei er schräg gehalten wird. Das erleichtert seinen Anschluß. Danach wird er horizontal gehalten und weiter eingeschoben. Vorsicht, die Kammer des Skimmers darf bei diesem Vorgang nicht beschädigt werden. Der Wasserstand des Skimmers sollte so hoch wie möglich sein und über der Verbindung des Schlauches mit dem Deckel stehen, um zu vermeiden, das Luft eindringt.

Die Pumpe wird in der Stellung Filtern (FILTER) angestellt. Jetzt kann mit der Reinigung des Beckenbodens begonnen werden.

5.5.3. Beim Modell mit selbsttragendem Skimmer Piscinas Magic Pool :

Der obere Schwimmring des Skimmers wird entfernt und ohne den Filterkorb herauszunehmen, wird in den oberen Teil des Skimmers das Zubehörteil Deckel für die Ansaugung mit der Öffnung nach oben eingeführt. Der Skimmer wird so weit in das Schwimmbecken eingetaucht, daß keine Luft durch den Deckel für die Ansaugung eindringen kann. Der Schlauch wird gefüllt.

Er wird am Deckel für die Ansaugung angeschlossen, wobei darauf zu achten ist, daß keine Luft eindringt. Die Verbindung des Schlauches und des Deckels muß immer eingetaucht sein, um zu vermeiden, daß Luft eindringen kann. Man schaltet die Pumpe an und beginnt mit der Reinigung des Beckenbodens.

5.6. Verschuß

Das Wechselventil steht auf der Stellung Verschuß (CLOSED). Abb. 12 Diese wird verwendet, um zu vermeiden, daß das Wasser durch die Schläuche und den Filter zirkuliert.

6. AUSWECHSELN DES KABELS

Bei Beschädigung des Kabels muß wie folgt vorgegangen werden:

- ? Die Stromanschluß zum Apparat wird unterbrochen.
- ? Das Wechselventil steht auf der Position Schließen (CLOSED) und der Skimmer wird mit dem Pfropfen geschlossen, damit nur das Wasser aus dem Schlauch ausläuft.
- ? Der Schlauch zur Filterpumpe wird entfernt, indem man die Schelle lockert und den Schutzdeckel abnimmt (Zeichng. 9).
- ? Die Schrauben, die das Filtergehäuse festhalten, werden gelockert und das Gehäuse wird abgehoben (Zeichn. 10).
- ? Die beiden Schrauben, die das Kabel festhalten, werden gelockert (Zeichng. 11).
- ? Die drei Kabelschuhe des Kastens für den Pumpeanschluß werden gelöst, wobei auf ihre Lage zu achten ist.
- ? Das Kabel wird herausgezogen, um es zu erneuern und danach erfolgt die Montage in umgekehrter Reihenfolge.

7. WARTUNG

Nach Beendigung der Badesaison muß der Filter an einem trockenen, wettergeschützten Platz aufbewahrt werden. Aus diesem Grund werden nach Durchführung eines automatischen Reinigungsvorganges des Silikagels die Schläuche abmontiert und das gesamte Wasser über den Entleerungsdeckel des Depots aus dem Filter abgelassen.

Nachdem das gesamte Wasser aus dem Filter entfernt worden ist, wird sorgfältig die Schraube von Silikagelresten gesäubert, bevor der Deckel erneut aufgesetzt wird, denn das Silikagel könnte die Schraube beschädigen.

Der Entleerungsdeckel des Filterdepots darf nur für diesen Vorgang verwendet werden.

SEHR WICHTIG: Bevor der Filter nach einer längeren Ruhepause wieder in Betrieb genommen wird, ist zu überprüfen, ob sich die Achse des Motors nicht festgeklemmt hat. Entfernen Sie das Schutzgehäuse wie im

Absatz 6 beschrieben, indem sie es mit einem flachen Schraubenzieher von dem Ende her bewegen, das über dem Metalldeckel der Lüftung hinter der Motorwicklung erscheint, bis es frei ist. Bewegen Sie danach die Achse nach rechts und links. Sollte sie sich nicht drehen lassen, müssen Sie das Laufrad der Turbine, wie im Absatz 7.1 beschrieben, reinigen.

Nach einem längeren Stillstand empfiehlt es sich ebenfalls, zu überprüfen, ob der Filter gefüllt ist, bevor er angestellt wird.

7.1. Wartung der Pumpe

Die Filterpumpe ist so ausgelegt, das keine besondere Wartung erforderlich ist. Trotzdem kann sich beim Einsatz des Apparates bei Schwimmbecken mit einem hohen Verschmutzungsgrad, besonders bei Blättern, die Pumpenachse blockieren. In diesem Fall ist wie folgt vorzugehen:

- ? Die Stromzufuhr zum Apparat wird unterbrochen.
- ? Stellen Sie das Ventil auf die Stellung Schließen (CLOSED).
- ? Setzen Sie den Verschlußdeckel des Skimmers auf.
- ? Entfernen Sie den Ansaugschlauch der Pumpe neben dem weißen Gehäuse.
- ? Lösen Sie die Verbindungsmuffe Pumpe-Kopf an der Gehäusesseite.
- ? Entfernen Sie das Filtergehäuse in der gleichen Weise wie beim Austausch des Kabels.
- ? Lösen Sie die 9 (neun) Schrauben, die den Deckel des Pumpenkörpers festhalten.
- ? Reinigen Sie das Laufrad. Sollte es zerbrochen sein, erkundigen Sie sich beim Hersteller des Schwimmbeckens nach einem Ersatz.
- ? Der Pumpendeckel wird wieder aufgesetzt, wobei auf eine gute Zentrierung zu achten ist, und fest verschlossen.
- ? Die Muffe wird am Pumpendeckel angebracht.
- ? Das Gehäuse wird wieder montiert, wobei in umgekehrter Reihenfolge wie beim Abmontieren vorgegangen wird.
- ? Der Ansaugschlauch der Pumpe wird erneut neben dem weißen Gehäuse montiert.
- ? Entfernen Sie den Verschlußpfropfen des Skimmers.

7.2. Lösung von Problemen und Kundendienst.

Dieser Filter und seine Bedienungsanleitung sind speziell so ausgelegt, das er vom Laien benutzt werden kann, bis auf die Ausnahmefälle, für die ein Fachmann herangezogen werden muß. Nachfolgend zählen wir Probleme und ihre Lösung auf, die während der Jahre auftreten können, die der Filter arbeitet und die Sie selbst beheben können.

PROBLEME	URSACHE	LÖSUNG
Der Filter tropft an seinen Muffenenden	Schlechter Anschluß der Schlauchenden	Die Muffensitze mit Teflon umwickeln, die Schlauchenden bis zum Anschlag einführen und die Klammern festziehen
Nach Inbetriebnahme des Filters tritt kein Wasser aus der Rücklauföffnung	Das Ventil befindet sich nicht in der Stellung Filtern (FILTER)	Den Filter abstellen und das Ventil in die richtige Stellung bringen
	Der Filter befindet sich höher als der Wasserstand und ist daher leer	Den Filter in die richtige Lage bringen und füllen
	Die Pumpe ist festgelaufen und erfordert ein Abmontieren	Siehe den Absatz Wartung der Pumpe
Unregelmäßiges Arbeiten	Der Wasserstand im Skimmer ist gering	Das Schwimmbecken und den Filter füllen
	Der Filter ist leer	Den Filter füllen
Der Filter hat einen geringen Durchfluß	Durch Benutzung ist der Filter schmutzig	Eine automatische Reinigung vornehmen
	Der Filter ist leer	Den Filter füllen
Aus der Filteröffnung tritt Wasser aus	Die Verbindungszone zwischen dem Ventil und dem Filter ist verschmutzt	Die Öffnung vom Sand befreien, die Dichtung korrekt auf das Ventil setzen und die Klammer fest anziehen
	Die Klammer hat sich gelockert	
Das Filterventil tropft am Ende für die Entwässerung (WASTE)	Die Innendichtung ist defekt durch unrichtige Verwendung (zu stark angezogen)	Den oberen Deckel des Ventils austauschen Kein chemisches Produkt in den Vorfilterkorb des Skimmers schütten
	Das Ventil des Kopfstücks ist defekt wegen falscher Benutzung (zu stark angezogen)	Das Ventil des Kopfstückes austauschen. Nicht zu stark anziehen (sonst 496 lineask anziehen)
Der Motor springt nicht an. Es entsteht kein Vibriergeräusch	Keine Stromzufuhr	Überprüfen, ob Strom in der Leitung ist
	Die Kabelschuhe im Motor sind locker	Den Motor öffnen (Absatz 6) und die Kabelschuhe des Motors überprüfen
Der Motor springt nicht an und man hört ein Brummen	Die Achse klemmt nach einem längeren Stillstand	Siehe Absatz 7
	Der Kondensator ist durchgebrannt (6?F)	Er kann im Elektrohandel erstanden werden (Ersatz bei Garantie des Apparates)
Durch das Schutzgehäuse geht Wasser verloren	Entfernen sie das Gehäuse wie beim Abschnitt 6 und analysieren Sie den Grund des Wasserverlustes	Überprüfen Sie die Schellen der Schläuche Wenn das Wasser zwischen der Pumpe und dem Motor verloren geht, wenden Sie sich an den Kundendienst des Schwimmbeckenherstellers.

Legga attentamente questo manuale prima di installare il filtro e segua meticolosamente le indicazioni durante l'installazione dello stesso e durante l'uso.

Conservi questo manuale per future consultazioni in merito al funzionamento di questo apparecchio.

INDICAZIONI DI SICUREZZA, LEGGERE ATTENTAMENTE

? Per quanto riguarda l'installazione elettrica, si renderà necessario adempiere alla seguente normativa:

NF C15-100

NF EN 60-335-2-41

che si riferisce "alla costruzione di installazioni elettriche, sia per piscine coperte sia per piscine all'aria aperta", o la normativa analoga in vigore in ciascuna zona o paese.

"Tutti i filtraggi adempiono alla norma di installazione C 15-100 che specifica che ogni apparecchio elettrico ubicato a meno di 3,5 m dalla piscina e liberamente accessibile deve essere alimentato con una tensione molto bassa da 12 V. Ogni apparecchio alimentato a 220 V deve essere ubicato a un minimo di 3,5 m dal bordo della piscina. Si renderà necessario richiedere l'autorizzazione del fabbricante per qualsiasi modifica di uno o più elementi del sistema di filtraggio"

? L'installazione elettrica deve essere realizzata da personale professionale qualificato per installazioni elettriche.

? L'altezza della sabbia non deve oltrepassare i 2/3 dell'altezza del serbatoio.

? No mantenere l'apparecchio in marcia mentre si utilizza la piscina.

? Non far funzionare l'apparecchio se questo non è stato allacciato in forma corretta.

? Non toccare MAI il filtro in marcia con il corpo umido o con le mani umide.

? Ogni volta che si debba manipolare il filtro o la valvola, si renderà necessario DISINSERIRLO dalla presa di corrente.

? Si assicuri che il suolo sia asciutto prima di toccare l'apparecchio elettrico.

? Non collochi il filtro dove possa bagnarsi, giacché potrebbe causare scosse elettriche.

? Non consenta né a bambini né a adulti di appoggiarsi o sedersi sull'apparecchio.

? Se il cavo flessibile dell'alimentazione di questo apparecchio è danneggiato, si dovrà procedere alla sua sostituzione. Legga attentamente le istruzioni per la sostituzione. In caso di dubbi, si rivolga al servizio tecnico.

1 ISTRUZIONI FILTRO MONOBLOCCO

Il filtro che ha appena acquistato è un apparecchio in special modo concepito e progettato per piscine elevate. Con un progetto innovativo e una grande funzionalità, lei dispone di differenti elementi necessari per filtrare l'acqua: Filtro, pompa e valvola selezionatrice in un solo apparecchio. I principali componenti di questo filtro sono:

Fig	Pos	Denominazione
1	1	Filtro
1	2	Pompa
1	3	Valvola selezionatrice <TOP>
1	4	Carcassa di protezione
1	5	Tappo di svuotamento
1	6	Coperchietti di ventilazione
1	7	Cavo elettrico di alimentazione

1.1 NECESSITÀ PER UNA CORRETTA INSTALLAZIONE

Per la sua facilità di installazione, questo apparecchio può essere montato da una sola persona adulta e in un periodo di tempo di circa **2 ORE**, con la precauzione in ogni momento di seguire attentamente le istruzioni riportate in questo manuale.

Per una corretta manipolazione dei componenti del filtro e la loro corretta installazione, saranno necessari solo i seguenti utensili:

Funzione	Utensile	Utensile alternativo
Stringere le flangie dei manicotti	Cacciavite stecker 7mm	Cacciavite bocca philips
Tagliare il liner	Cutter	Coltello
Protezione del tubo del collettore	Pezzo di plastica	Pezzo di tela

2 PRIMA DI COLLEGARE IL FILTRO

2.1 Collocazione

Collochiamo il filtro su una superficie piatta e solida ad una distanza non inferiore a 3,5 metri dalla piscina (ai sensi della norma **NF C15-100** o analoga in vigore in ogni zona o paese.) ed allo stesso livello del fondo della stessa per evitare che nel circuito di depurazione entri aria e di conseguenza il filtro si disinnesci (fig. 2). È conveniente proteggere il filtro dal sole e dalla pioggia, che abbia una ventilazione sufficiente durante il suo funzionamento e che non venga tappato durante il funzionamento.

2.2 Montaggio

Prima di procedere con il montaggio del filtro, si renderà necessario realizzare il montaggio dello skimmer, seguire le istruzioni fornite con lo stesso, o le istruzioni fornite con la piscina.

Una volta collocato il filtro proceda nel seguente modo:

- ? Allentare la vite della fascetta o della chiusura che stringe la valvola al filtro (Fig.4).
- ? Togliere la valvola selezionatrice TOP eappare la bocchetta del tubo del collettore interno con una plastica protettrice che eviti l'entrata di sabbia (Fig.5).
- ? Insediare correttamente il collettore interno nel fondo del filtro (Fig.6).
- ? Introdurre all'interno del filtro 25 Kg de sabbia, **NO FORNITA**. (Fig.5). La sabbia di silex ha una durata illimitata. Si deve solo rimettere in caso di perdita. Prenda il riferimento del livello di sabbia di silex in previsione di future ricollocazioni.
- ? Eliminare i resti di sabbia dalla bocchetta del filtro e togliere la plastica protettrice.
- ? Reinsersisca la valvola selezionatrice TOP con il suo giunto e collochi la fascetta o chiusura.
- ? Stringa fortemente la vite della fascetta che unisce la valvola al filtro (Fig.4).
- ? Proceda a collegare nei terminali d'aspirazione e d'impulsione della valvola, i tubi flessibili di aspirazione e di impulsione, fissandoli strettamente con le ghiere (Fig.7).
- ? Proceda a mettere nella vite del terminale dello skimmer il teflon fornito e colleghi l'altra estremità del tubo flessibile d'aspirazione stringendo fortemente con una ghiera, ripeta l'operazione con il terminale della bocchetta di ritorno e colleghi il tubo flessibile d'impulsione.
- ? Una volta installato dovremo effettuare un primo ciclo di autolavaggio del filtro, per fare ciò seguiremo le istruzioni del paragrafo 5.3.

3 COLLEGAMENTO ELETTRICO

Per quanto riguarda l'installazione elettrica, si renderà necessario adempiere alla seguente normativa:

NF C15-100

NF EN 60-335-2-41

che si riferisce *“alla costruzione di installazioni elettriche, sia per piscine coperte sia per piscine all'aria aperta”*, o la normativa analoga in vigore in ciascuna zona o paese.

La pompa si deve collegare ad una presa di tensione di 220/230 V a corrente alternata e 50 Hz, con messa a terra. Consumo 240 W.

È obbligatorio utilizzare un interruttore onnipolare per lasciare senza tensione il filtro quando non lo si utilizza ed un differenziale di 30 mA. per protezione dalle scariche. (Non fornito. Si può acquistare in un negozio di articoli elettrici)

4 VALVOLA SELEZIONATRICE SUPERIORE

Mediante la valvola selezionatrice superiore del filtro si realizza la selezione delle quattro diverse funzioni del filtro: filtraggio (FILTER), lavaggio (BACKWASH), svuotamento (WASTE) e chiusura (CLOSED). Per cambiare la posizione della valvola, proceda nel seguente modo:

- ? Disinserire sempre la spina.
- ? Allentare il pomolo triangolare superiore della valvola girandolo finché non si sollevi e permetta di alzare il coperchio dalla sua sede e di girarlo.
- ? Girare il coperchio fino a quando l'operazione desiderata non sia allineata con il tubo flessibile di ritorno, dove ha il punto di ancoraggio, e la linguetta non si incastra nella sua sede. (vedi fig. 12) .
- ? Stringere nuovamente il pomolo, **non eccessivamente**, si potrebbero danneggiare gli elementi interni della valvola.

5 FUNZIONAMENTO

Il funzionamento di questo filtro si basa sulla capacità di filtraggio della sabbia di silex che si trova al suo interno. L'acqua della piscina è impulsata dalla pompa del filtro e costretta a passare attraverso la sabbia di silex, facendo sì che le impurità dell'acqua vengano detenute dalla sabbia che agisce da elemento filtrante. L'ambiente circostante, alberi, polline, insetti e frequenza dei bagni sono, tra altri, i fattori che determinano la sporcizia dell'acqua della piscina, in conseguenza di questi fattori si dovrà pulire la sabbia di silex con maggior o minor frequenza, (vedere paragrafo 5.3). Inoltre, per mantenere in buono stato l'acqua della piscina, dobbiamo utilizzare i prodotti chimici consigliati dal fabbricante (cloro, antivegetativo, etc.).

5.1 Innestatura del filtro

È imprescindibile che il filtro sia in ogni momento correttamente innestato. Che il filtro non sia innestato significa che al suo interno si è creata una camera d'aria che provoca una difettosa circolazione dell'acqua, fattore che impedisce il corretto filtraggio della stessa da parte della sabbia di silex e danneggia il motore.

Il filtro si può disinnestare per vari motivi:

- ? Messa in moto di un nuovo apparecchio.
- ? Messa in moto di un apparecchio dopo un lungo periodo d'inattività.
- ? Dopo aver usato un puliscifondo ad aspirazione.
- ? Assorbimento d'aria dello skimmer dovuto ad un basso livello dell'acqua della piscina.
- ? Per una sbagliata utilizzazione dell'apparecchio, coperchio d'aspirazione o tappo dello skimmer.

5.1.1 Quando è disinnestato il filtro?

Ci accorgeremo che il filtro è disinnestato quando:

- ? Verifichiamo che il suono dell'acqua quando si introduce nel filtro è a caduta libera, fatto che ci indica che tra l'ingresso dell'acqua e la sabbia di silex si è creata una camera d'aria.
- ? Verifichiamo che dalla bocchetta di ritorno escono bolle d'aria in eccesso.
- ? Verifichiamo che il puliscifondo (non fornito) non aspira, mantenendo pulita la sabbia di silex dopo un lavaggio.

5.1.2 Come innestare il filtro?

- ? Verificare che il tubo flessibile d'aspirazione sia collegato allo skimmer ed il passo aperto (non c'è il tappo).
- ? Disinserire il filtro dalla presa di corrente.
- ? Con la valvola in posizione di filtraggio (FILTER), allentare leggermente il dado di spurgo che si trova accanto al manometro, in modo di permettere all'aria accumulata all'interno del filtro di fuoriuscire. Se non ha collocato il manometro, può allentare il pomolo triangolare fino a quando non fuoriesce acqua priva di bolle dall'uscita dello scarico (WASTE).
- ? Quando si osserva che fuoriesce solo acqua (tra 1 e 2 minuti), chiudere nuovamente il dado di spurgo.
- ? Collegare il filtro alla presa di corrente e controllare che non si oda più il suono di caduta libera dell'acqua. In caso contrario si dovrà ripetere l'operazione.

5.2 Filtraggio

La valvola deve stare in posizione di filtraggio (FILTER) fig. 12. La vita del filtro si allunga se il suo continuo funzionamento non supera periodi di lavoro di 4 h. Le sue quotidiane necessità di filtraggio sono determinate dal volume in m³ dell'acqua della sua piscina in relazione ai m³/h di portata del filtro. Faccia trascorrere almeno 2 h. tra i vari periodi di funzionamento di 4 h.

$$\frac{\text{Volume piscina in m}^3}{\text{Portata filtro in m}^3/\text{h}} = \text{ore necessarie}$$

Esempio:

$$\frac{26 \text{ m}^3}{3,5 \text{ m}^3/\text{h}} = 7,42 \text{ ore} \quad \text{2 cicli di 4 ore con un ciclo intermedio di 2 ore di riposo}$$

Nel trattamento iniziale di filtraggio deve rispettare i periodi di riposo indicati.

5.3 Lavaggio della sabbia

Con il processo di autolavaggio del filtro procederemo a pulire la sabbia di silex posta all'interno del filtro, per fare ciò bisogna invertire il senso di circolazione dell'acqua per mezzo della valvola selezionatrice superiore. Questo processo si deve effettuare regolarmente, bisogna stare attenti a vari fattori che determinano la sporcizia della sabbia:

- ? Che si rilevi una diminuzione della portata di ritorno, dopo aver controllato che la pompa sia innestata correttamente.
- ? Che il manometro ci indichi una pressione eccessiva (Ago che indica tra il giallo ed il rosso, o sul rosso).

5.3.1 Per l'autolavaggio del filtro dobbiamo procedere come segue:

- ? Disinserire il filtro dalla presa di corrente. Non muovere mai la valvola selezionatrice con il motore in marcia.
- ? Allentare girando il pomolo triangolare superiore della valvola fino a quando non riusciamo ad alzare il coperchio della sua sede e girarla. Porre la valvola in posizione di autolavaggio (BACKWASH), rimettere il coperchio nella sua sede e stringere girando il pomolo, non eccessivamente, potrebbe rovinarsi la valvola. Fig 12.
- ? Collegare un tubo flessibile da Ø38 mm x 1,5 m all'uscita dello scarico (WASTE) fig 8, pos 8, della valvola e dirigere l'altra estremità del tubo ad uno scarico o ad un tombino.
- ? Mettere in moto il filtro per circa 2 min. (Fino a quando l'acqua non esce priva di impurità).
- ? Fermare il filtro e lasciarlo riposare per 2 min. per permettere l'assestamento del silex ed evitare in questo modo la sua espulsione nella piscina.
- ? Rimettere la valvola nella posizione desiderata (filtraggio o chiusura) e togliere il tubo flessibile dall'uscita dello scarico.

5.4 Svuotamento della piscina

Terminata la stagione dei bagni, il filtro le permette di svuotare quasi completamente la piscina. Per fare ciò dovrà collocare la valvola selezionatrice superiore nella posizione di scarico (WASTE) Fig. 12, senza ancora collegare il filtro, collegare un tubo flessibile all'uscita libera della valvola selezionatrice in modo da dirigere l'acqua verso lo scarico o il tombino e, a secondo del modello dello skimmer, procedere nel seguente modo:

5.4.1 Nel modello con skimmer a parete Piscine Dream Pool e Piscine Jet Pool :

- ? Togliere il cesto interno dello skimmer e chiudere l'aspirazione con il coperchio fornito a tale scopo.
- ? Disinserire il tubo flessibile dalla presa dello skimmer, allentando la ghiera che lo stringe e tenendo il tubo flessibile in modo che non perda acqua e si disinnesti.
- ? Togliere il tubo flessibile, tappando l'estremità perché non si disinnesti, e sommergerlo subito nella piscina.
- ? Zavorrare l'estremità del tubo flessibile d'aspirazione con un oggetto pesante che non danneggi il liner, per aiutare la sua immersione verso il fondo della piscina.
- ? Mettere in moto la pompa e procedere allo svuotamento della piscina. Ricordi che con il solo aiuto del filtro la piscina non si svuoterà completamente, quando rimarranno alcuni cm. d'acqua e la pompa non aspirerà più, dovrà spegnerla.
- ? Se riempie nuovamente la piscina d'acqua, tolga prima manualmente l'acqua rimanente senza danneggiare il liner.
- ? Se smonta la piscina può piegare la vasca per far scorrere l'acqua rimanente verso il centro e quindi togliere il tappo, spiegare la vasca per svuotarla completamente. Non si deve effettuare quest'operazione se non quando si smonta la piscina.

5.4.2 Nel modello con skimmer autoportante Piscine Magic Pool :

Oltre allo scarico incorporato dalla piscina, per svuotarla si può utilizzare il depuratore:

- ? Alzare lo skimmer autoportante fino a che non rimanga ciondolante sul lato esterno della piscina, in modo da evitare che vi entri l'acqua.
- ? Disinserire il tubo flessibile d'aspirazione dalla presa dello skimmer dalla parte esterna della parete della piscina, allentare la ghiera che lo stringe con precauzione per non danneggiare il liner e tenere il tubo flessibile in modo che non fuoriesca acqua e si disinneschi.
- ? Togliere il tubo flessibile, tappando l'estremità in modo che non si disinneschi, e sommergerla immediatamente nella piscina.
- ? Zavorrare l'estremità del tubo flessibile d'aspirazione della presa dello skimmer con un oggetto pesante che non danneggi il liner, per aiutare l'immersione verso il fondo della piscina.
- ? Mettere in moto la pompa e procedere allo svuotamento della piscina. Ricordi che con il solo aiuto del filtro non si svuoterà completamente, quando la pompa non aspira più si dovrà spegnere.
- ? Se riempirà nuovamente la piscina d'acqua, tolga prima, per mezzo dello scarico, l'acqua restante senza danneggiare la piscina.

EVITARE CHE IL TUBO FLESSIBILE RISUCCHI IL FONDO DEL LINER DE LA PISCINA, GIACCHÉ POTREBBE DANNEGGIARE SERIAMENTE LA POMPA SE FUNZIONASSE SENZA CIRCOLAZIONE D'ACQUA O IL LINER PER RISUCCHIO

5.5 Pulizia del fondo della piscina

Per effettuare la pulizia del fondo della piscina, può approfittare della pompa del filtro con uno dei seguenti accessori: Puliscifondo "Riñón", Puliscifondo "Oval" (avrà anche bisogno del tubo flessibile di Ø38 mm e della pertica). Consulti il suo fornitore o il Servizio Postvendita per il loro acquisto. Utilizzi sempre ricambi originali.

Una lunghezza del tubo flessibile maggiore a quella necessaria per arrivare in tutti i punti della piscina rende difficile il suo uso. Tagli il pezzo di tubo flessibile eccedente. Controlli che nei terminali di gomma non si perda la tenuta stagna.

5.5.1 Innesco del tubo flessibile del puliscifondo:

Introdurre lentamente all'interno della piscina il puliscifondo con la pertica ed il tubo flessibile collegato, verticalmente, lasciando che si riempia d'acqua, tenendo il resto del tubo flessibile fuori dall'acqua. Cominci ad introdurre il tubo nell'acqua lentamente di 50 cm in 50 cm. che devono affondare una volta che si riempiono completamente d'acqua, fino alla fine, cioè fino a quando il tubo sarà pieno d'acqua e sul fondo. Se il tubo non é totalmente innescato, il puliscifondo non aspirerà e potremmo danneggiare il depuratore facendolo lavorare a vuoto.

5.5.2 Nel modello con skimmer a parete Piscine Dream Pool e Piscine Jet Pool :

Collocare all'interno dello skimmer l'accessorio coperchio aspirazione con la presa rivolta verso l'alto, senza togliere il cesto. Innescare il tubo flessibile.

Passare dall'INTERNO DELLA PISCINA l'estremità del tubo flessibile per la saracinesca dello skimmer facendo attenzione che non vi entri aria, collegarlo al coperchio d'aspirazione, stringendolo obliquamente per facilitare l'unione. Quindi collocarlo orizzontalmente introducendo maggiormente il tubo flessibile. Attenzione, non danneggiare la saracinesca dello skimmer durante quest'operazione.

Il livello d'acqua dello skimmer deve essere al massimo e superare l'unione tra il coperchio ed il tubo flessibile, per evitare la penetrazione d'aria.

Mettere in moto la pompa in posizione di filtraggio (FILTER) e procedere alla pulizia del fondo della piscina.

5.5.3 Nel modello con skimmer autoportante Piscine Magic Pool :

Togliere l'anello galleggiante superiore dello skimmer e senza togliere il cesto di prefiltraggio, collocare sulla parte superiore dello skimmer l'accessorio coperchio d'aspirazione con la presa rivolta verso l'alto ed immergere lo skimmer all'interno della piscina, il necessario perché il coperchio d'aspirazione non sia esposto all'aria.

Innescare il tubo flessibile.

Facendo attenzione che non vi penetri aria, collegarlo alla presa del coperchio d'aspirazione. L'unione del tubo flessibile e del coperchio deve essere sempre sommersa per evitare la penetrazione d'acqua.

Mettere in moto la pompa e procedere alla pulizia del fondo della piscina.

5.6 Chiusura

La posizione della valvola selezionatrice, chiusura (CLOSED) Fig. 12 si utilizza per evitare la circolazione dell'acqua attraverso il tubo flessibile ed il filtro.

6 SOSTITUZIONE DEL CAVO

In caso il cavo risulti deteriorato, procedere nel seguente modo:

- ? Disinserire l'apparecchio dalla presa di corrente.
- ? Situare la valvola selezionatrice sulla posizione di chiusura (CLOSED) e chiudere lo skimmer con il tappo in, modo che si fuoriesca solo l'acqua del tubo flessibile.
- ? Disinserire il tubo flessibile che va dalla pompa al filtro, allentando la ghiera, e togliere il tappino protettore (Fig.9).
- ? Allentare le due viti che stringono la carcassa del filtro ed alzarla (Fig.10).
- ? Allentare le due viti che imprigionano il cavo (Fig. 11).
- ? Disinserire i tre terminali della cassa del collegamento della pompa facendo attenzione alla sua posizione.
- ? Estrarre il cavo per sostituirlo e procedere in modo inverso a quello descritto.

7 MANUTENZIONE

Terminata la stagione dei bagni, si dovrà custodire il filtro in un luogo asciutto e protetto dalle intemperie.

Per questo motivo, dopo aver fatto un autolavaggio finale per lasciare pulita la sabbia di silex, si smonteranno i tubi flessibili e si svuoterà completamente dall'acqua il filtro per mezzo del tappo di svuotamento del deposito.

Espulsa tutta l'acqua del filtro, pulire con cura la filettatura dai residui della sabbia di silex prima di rimettere il coperchio, potrebbero danneggiare la filettatura.

Il tappo di svuotamento del deposito filtro deve essere usato solamente durante quest'operazione.

MOLTO IMPORTANTE: Prima di mettere il filtro in funzionamento dopo un lungo periodo d'inattività, controlli che l'asse del motore non sia grippato. Tolga la carcassa di protezione come si descrive nel paragrafo 6, muoverlo con un cacciavite piatto dall'estremità che appare attraverso il coperchio metallico di ventilazione, dietro la bobina del motore, fino a quando non si libera giri l'asse a destra e a sinistra. Se non gira proceda alla pulizia della ruota della turbina, come indicato nel paragrafo 7.1.

È anche conveniente assicurarsi che il filtro sia innescato, prima di avviarlo dopo un'inattività prolungata.

7.1 Cure da prestare alla pompa

La pompa del filtro è preparata per funzionare senza nessun tipo di manutenzione specifica. Comunque l'uso dell'apparecchio in piscine con un alto indice di sporcizia, specialmente le foglie, può provocare l'intasamento dell'asse della pompa. In questa circostanza, procedere nel seguente modo:

- ? Disinserire l'apparecchio dalla presa di corrente.
- ? Collocare la valvola sulla posizione di chiusura (CLOSED).
- ? Collocare il tappo di chiusura dello skimmer.
- ? Disinserire il tubo flessibile d'aspirazione della pompa insieme alla carcassa bianca.
- ? Slegare il manicotto di collegamento pompa-testata, dall'estremità che fuoriesce dalla carcassa.
- ? Smontare la carcassa del filtro nello stesso modo impiegato per la sostituzione del cavo.
- ? Allentare le 9 (nove) viti che stringono il coperchio del corpo della pompa.
- ? Pulire la ruota. Se nota che è rotta, consulti il fabbricante della piscina per la sua sostituzione.
- ? Rimettere il coperchio della pompa, assicurandosi che la giunta sia ben centrata e stretta.
- ? Collegare il manicotto al coperchio della pompa.
- ? Ricollocare la carcassa procedendo in modo inverso a quello descritto per il suo smontaggio.
- ? Rimontare il tubo flessibile d'aspirazione della pompa insieme alla carcassa bianca.
- ? Togliere il tappo di chiusura dello skimmer.

7.2 Soluzioni alle avarie e servizio tecnico.

Questo filtro e le sue istruzioni sono specialmente progettati per un uso familiare, senza il bisogno di un intervento professionale, salvo in casi eccezionali. Qui presentiamo i problemi e le cause che possono sorgere con il passare degli anni nella vita d'utilizzazione del filtro stesso e che lei può solucionar. Nel caso non possa solucionar il suo problema, si metta in contatto con il fabbricante della piscina al numero di telefono e negli orari indicati sulle sue istruzioni.

PROBLEMA	CAUSA	SOLUZIONE
Il filtro sgocciola dai terminali dei tubi flessibili	Cattivo collegamento dei terminali con i tubi flessibili	Mettere teflon sulle sedi, introdurre i terminali dei tubi flessibili fino in fondo e stringere le ghiere
Messo in moto il filtro , non dà portata nella bocchetta di ritorno	La valvola non è nella posizione di filtraggio (FILTER) Il filtro si trova sopra il livello dell'acqua, disinnescato La pompa è intasata ed ha bisogno di essere smontata Il coperchio d'aspirazione o il tappo dello skimmer sono collocati	Disinserire il filtro e situare la valvola nella posizione corretta Situare il filtro in una posizione corretta ed innescarlo Vedere paragrafo 7.1 Togliere il coperchio d'aspirazione o il tappo dello skimmer
Funzionamento intermittente	Livello dell'acqua nello skimmer basso Il filtro è disinnescato	Riempire la piscina e innescare il filtro Procedere ad innescare il filtro
Il filtro dà poca portata	A causa del suo uso il filtro è sporco Il filtro è disinnescato	Effettuare un autolavaggio Procedere ad innescare il filtro
Fuoriesce acqua dalla bocchetta del filtro	La zona d'unione tra la valvola ed il filtro è sporca La fascetta è allentata	Pulire la bocchetta dalla sabbia, collocare correttamente la giunta sulla valvola e stringere con forza la fascetta
La valvola del filtro sgocciola dal terminale dello scarico (WASTE)	Giunta interna danneggiata per scorretto uso del prodotto chimico Valvola testata rotta per uso scorretto (troppo stretto)	Procedere al cambio del coperchio superiore della valvola No mettere il prodotto chimico nel cesto di prefiltraggio dello skimmer Cambiare valvola testata, non stringere eccessivamente
Non parte il motore. Non fa nessun rumore né vibrazione	Manca corrente nella linea elettrica. Terminali allentati nel motore.	Controllare che ci sia corrente nella linea elettrica Aprire il motore (paragrafo 6) e revisionare i terminali del motore
Non parte il motore ma si sente un ronzio	Asse intasato dopo una prolungata inattività Condensatore fuso (6?F)	Vedere paragrafo 7 Si può comprare in un negozio di articoli elettrici (sostituzione durante la garanzia dell'apparecchio)
Perdita d'acqua dalla carcassa di protezione	Tolga la carcassa come descritto nel paragrafo 6, e analizzi la causa della perdita d'acqua	Controlli le ghiere dei tubi flessibili Se perde tra la pompa ed il motore, si metta in contatto con il servizio postvendita del fabbricante della piscina

Alvorens het filter te installeren eerst deze handleiding lezen en tijdens het installeren en het gebruik ervan nauwkeurig de aanwijzingen volgen.

Deze handleiding bewaren voor eventuele vragen omtrent de werking van dit apparaat.

DE VEILIGHEIDSAANWIJZINGEN AANDACHTIG DOORNEMEN

Voor alles wat de elektrische installatie betreft moet de norm

EN C15-100

NF EN 60-335-2-41

gevolgd worden die betrekking heeft op “de aanleg van elektrische installaties, zowel voor overdekte zwembaden als voor openlucht zwembaden”, of de desbetreffende norm van ieder land of regio afzonderlijk.

?? Voor alle filters moet de installatienorm C15-100 gevolgd worden die duidelijk specificeert dat ieder willekeurig elektrisch apparaat dat zich op minder dan 3.5 m afstand van het zwembad bevindt en waar het publiek vrij toegang toe heeft, op een laag voltage van 12V werkt. Elk apparaat dat werkt op een voltage van 220V moet op zijn minst op een afstand van 3,5 m van de rand van het zwembad geplaatst worden. Voor het veranderen van een of meerdere elementen van het filtersysteem moet toestemming aan de fabrikant gevraagd worden

?? De elektrische installatie moet aangelegd worden door vakmensen, gespecialiseerd in elektrische installaties.

?? Het zand mag niet hoger reiken dan 2/3 van de hoogte van het deposito.

?? Het apparaat mag niet in werking zijn wanneer het zwembad in gebruik is.

?? Het apparaat niet laten werken als het niet op correcte wijze aan de gang gebracht is.

?? NOOIT met een nat lichaam of natte handen het werkende filter aanraken.

?? Bij het manipuleren van het filter of de klep altijd van de stroomtoevoer AFSLUITEN

?? Alvorens enig elektrisch toestel aan te raken eerst controleren of de grond droog is.

?? Het filter nooit plaatsen waar het nat kan worden, dit kan electrocutie veroorzaken.

?? Verbied kinderen en volwassenen om op het apparaat te gaan zitten of er tegen aan te leunen.

?? Als het buigbare snoer van dit apparaat beschadigd is, moet het vervangen worden. Lees hiertoe aandachtig de instructies ter vervanging van het snoer. Bij eventuele twijfel de technische dienst raadplegen.

1 GEBRUIKSAANWIJZING MONOBLOC-FILTER

Het filter dat u zojuist aangeschaft heeft, is een apparaat dat speciaal ontworpen is voor gebruik bij staande zwembaden. Een toestel met een vernieuwend ontwerp en grote functionaliteit waarmee u over de benodigde elementen beschikt om het water te zuiveren. Filter, pomp en wisselklep in één apparaat. De belangrijkste onderdelen van dit filter zijn:

Fig Pos Omschrijving

1	1	Filter
1	2	Pomp
1	3	Wisselklep <<TOP>>
1	4	Beschermende ombouw
1	5	Leegdop
1	6	Ventilatieklepjes
1	7	Netspanningskabel

1.1 NOODZAKELIJK VOOR EEN CORRECTE INSTALLERING :

Dank zij de eenvoudige installering kan dit toestel door een volwassene in ongeveer **2 UUR** tijds gemonteerd worden, alhoewel er voortdurend strikt de hand moet worden gehouden aan de instructies in de voorliggende handleiding.

Voor de correcte behandeling van de onderdelen van het filter en voor de correcte aansluiting ervan, is het onderstaande gereedschap nodig :

Funktie	Gereedschap	Alternatief gereedschap
De schroeven van de klembanden de slangen aandraaien	Schroevendraaier stecker 7mm	Schroevendraaier met philipsmond
Liner afsnijden	Cutter	Scheermesje
Bescherming van de buis van het verzamelvat	Een stuk plastic	Een stuk stof

2 ALVORENS HET FILTER AAN TE SLUITEN

2.1 Plaats

Plaats het filter op een vlakke en solide ondergrond op minimaal 3,5 m. van het zwembad (in overeenstemming met de Norm NF C-15-100 of overeenkomstige norm al naar gelang regio of land), en op gelijke hoogte met de bodem van het zwembad om te voorkomen dat er lucht in het zuiveringscircuit en in het filter komt (Afb.2). Aangeraden wordt het filter zo te plaatsen dat het tegen zon en regen beschermt is en er voldoende ventilatie tijdens het bedrijf van het filter is. Het filter nooit bedekken wanneer het in bedrijf is.

2.2 Montage

Alvorens over te gaan tot montage van het filter moet eerst de skimmer gemonteerd worden. Bijgeleverde instructies opvolgen.

Als het filter eenmaal op zijn plaats staat, gaat men als volgt te werk:

- ? Draai de schroef van de klemband of sluiting los waarmee de klep aan het filter bevestigd is (Afb. 4).
- ? Verwijder de TOP wisselklep en dek het mondstuk van de PVC verzamelbuis met een plastic bescherming af om te voorkomen dat er zand in komt (Afb. 5).
- ? Plaats de verzamelbuis op de juiste wijze onder in het filter (Afb. 6).
- ? Breng het 25 Kg zand in het filter (Afb. 5), zand **NIET** geleverd!. Het silex zand heeft een onbeperkte levensduur en dient alleen aangevuld te worden, als er zand verloren gaat. Markeer het peil van het silex zand om dit later tot het gewenste niveau aan te kunnen vullen.
- ? Verwijder de zandresten bij de inlaat van het filter en neem de plastic bescherming weg.
- ? Plaats de TOP wisselklep en de pakking terug en breng de klemband of de sluiting weer aan.
- ? Draai de schroef van de klemband stevig aan waarmee de klep aan het filter bevestigd is (Afb. 4).
- ? Sluit de aanzuig- en perssling op de aansluitpunten van de zuig- en perszijde van de klep aan en zet deze met de slangklemmen stevig vast (Afb. 7).
- ? Breng het bijgeleverde teflon op het schroefdraad van het aansluitpunt van de skimmer aan, sluit het andere uiteinde van de aanzuigslang aan en draai de klemband stevig vast. Herhaal deze handeling voor het aansluitpunt van het mondstuk van de retourleiding en sluit de perssling aan.
- ? Na het installeren dient het filter automatisch gereinigd te worden en hiertoe volgt men de aanwijzingen die in de paragraaf *reinigen van het filter* in het hoofdstuk Werking beschreven zijn.

3 ELEKTRISCHE AANSLUITING

Voor alles wat de elektrische installatie betreft moet de norm

NF C15-100

NF EN 60-335-2-41

gevolgd worden die betrekking heeft op "de aanleg van elektrische installaties, zowel voor overdekte zwembaden als voor openlucht zwembaden", of de desbetreffende norm van ieder land of regio afzonderlijk.

De pomp dient op een geaard stopcontact van 220/230 V wisselspanning en 50 Hz aangesloten te worden.

Vermogen 240 W.

Het is beslist noodzakelijk een omni-polaire schakelaar te gebruiken, zodat er geen spanning op het filter staat als dit niet gebruikt wordt, en een differentiaalschakelaar van 30 mA. ter bescherming tegen ontladingen. (Beide schakelaars zijn niet bijgeleverd en zijn bij de speciaalzaak verkrijgbaar).

4 BOVENSTE WISSELKLEP

De bovenste wisselklep bedient de vier verschillende functies van het filter : zuiveren (FILTER), reinigen (BACKWASH), legen (WASTE) en sluiten (CLOSED). Om de stand van de klep te wijzigen, dient men als volgt te werk te gaan :

? Neem altijd eerst de stekker los.

? Draai de bovenste driehoekige knop van de klep los totdat het deksel van het huis omhoogkomt en dit kan draaien.

? Draai het deksel zó totdat de gewenste functie op één lijn met de retourslang komt en het lipje in de behuizing valt (zie Afb. 12).

? Draai de knop weer aan, **niet te hard**, omdat anders de inwendige onderdelen beschadigd zouden kunnen worden.

5 WERKING

De werking van het filter berust op het vasthoudend vermogen van het silex dat zich in het filter bevindt. Het water in het zwembad wordt door de filterpomp en het silex geperst waardoor de vuildeeltjes in het water in het zand, dat als een filterelement werkt, achterblijven. De omgeving, stofmeel, bomen, insecten en gebruiksfrequentie zijn onder meer factoren die de vuilgraad van het water in het zwembad bepalen en afhankelijk hiervan dient het silex in het filter vaker of minder vaak automatisch gereinigd te worden (zie paragraaf *automatisch reinigen*).

Om het water van het zwembad in goede staat te bewaren dient men tevens chemische middelen (chloor, algengroei remmend middel, enz.) te gebruiken die door de fabrikant aanbevolen worden.

5.1 Ontluchten van het filter

Het is noodzakelijk dat het filter altijd op de juiste wijze ontlucht is. Als het filter niet ontlucht is, betekent dit dat er zich een luchtkamer in het filter gevormd heeft die een slechte circulatie van het water tot gevolg heeft waardoor een correcte zuivering van het filter via het silex verhinderd en de motor beschadigd wordt.

Het filter dient om verschillende redenen ontlucht te worden:

- ? Inbedrijfstelling van een nieuw toestel.
- ? Inbedrijfstelling van een toestel nadat het voor langere tijd niet gebruikt is.
- ? Na het gebruik van een bodemzuiger.
- ? LuchtabSORPTIE door de skimmer als gevolg van een laag waterpeil in het zwembad.
- ? Als gevolg van een onjuist gebruik van het toestel, zuig dop of skimmerdop.

5.1.1 Wanneer zit er lucht in het filter?

Er zit lucht in het filter als we:

- ? Vaststellen dat het geluid van het in het filter binnenstromende water naar vrij vallend water klinkt. Dit wijst erop dat er zich tussen de wateraanvoer en het silex een luchtkamer gevormd heeft.
- ? Vaststellen dat er uit het mondstuk van de retourleiding te veel luchtbellEen komen.
- ? Vaststellen dat de bodemzuiger (niet bijgeleverd) niet zuigt, terwijl het silex na het automatisch reinigen schoon is.

5.1.2 Hoe wordt het filter ontlucht?

- ? Controleer of de aanzuigslang op de skimmer aangesloten is en de doorgang open staat (de dop zit er niet op).
- ? Sluit het filter van de stroomtoevoer af.
- ? Draai, met de klep in de stand zuiveren (FILTER), de ontluchtingsmoer los die zich naast de manometer bevindt om de in het filter verzamelde lucht te laten ontsnappen. Als men het T-stuk voor het ontluchten niet aangebracht heeft, kan men de driehoekige knop losdraaien totdat er in het water dat via de afvoer (WASTE) naar buiten stroomt, geen luchtbellEen meer te zien zijn.
- ? Draai, zodra men ziet dat er alleen water uitkomt (na 1 tot 2 minuten), de ontluchtingsmoer weer dicht.
- ? Sluit het filter op de stroomtoevoer aan en controleer of het geluid van vrij vallend water verdwenen is. Is dit niet het geval, dan dient men dezelfde handelingen nogmaals uit te voeren.

5.2 Zuiveren

De klep dient in de stand zuiveren (FILTER) te staan, Afb.12. De levensduur van het filter is optimaal bij perioden van continu bedrijf die niet langer dan 4 uur duren. De noodzaak van het zuiveren wordt bepaald door het watervolume (m³) van het zwembad in verhouding tot het debiet van m³/u van het filter. Laat de motor minstens 2 uur tussen de bedrijfsintervallen uitstaan.

$$\frac{\text{Volume zwembad in m}^3}{\text{Debiet filter in m}^3/\text{u}} = \text{nodige uren}$$

VOORBEELD :

$$\frac{26 \text{ m}^3}{3,5 \text{ m}^3/\text{u}} = 7,42 \text{ uur} \quad \text{2 maal 1 cyclus van 4 uur met een tussentijdse cyclus van 2 uur rust.}$$

In het begin dienen de aangegeven rustperioden strikt aangehouden te worden.

5.3 Reinigen van het zand

Door het automatisch reinigen wordt het silex in het filter schoongemaakt; hiertoe dient de richting van de watercirculatie middels de bovenste wisselklep omgezet te worden. Het reinigen dient regelmatig uitgevoerd te worden en daarom dient men op de verschillende factoren te letten die aangegeven dat het zand vuil is:

- ? Wanneer er een vermindering van het retourwaterdebiet waargenomen wordt, nadat men gecontroleerd heeft of de pomp goed ontlucht is.
- ? Wanneer de manometer een te hoge druk aangeeft (de wijzer staat tussen het gele en rode gebied of in het rode gebied).

5.3.1 Om het filter automatisch te reinigen gaat men als volgt te werk:

- ? Sluit het filter van de stroomtoevoer af. Beweeg de wisselklep in geen geval met draaiende motor.
- ? Draai de bovenste driehoekige knop van de klep los totdat men het deksel van de behuizing kan optillen en kan draaien. Zet de wisselklep in de stand automatisch reinigen (BACKWASH), laat het deksel weer in de behuizing vallen en draai de knop weer aan, niet te strak, omdat de klep hierdoor beschadigd kan worden.
- ? Sluit de 3de slang op de waterafvoer (WASTE) fig 8, pos 8, van de klep aan en leg het andere uiteinde van de slang in de afvoer of het riool.
- Zet het filter ongeveer 2 minuten aan (totdat er geen vuile deeltjes meer met het water meestromen).
- Zet het filter uit en laat het 2 minuten stilstaan, zodat het silex neerslaat en het niet in het zwembad stroomt.
- Plaats de klep weer in de gewenste stand (zuiveren of dicht) en verwijder de slang van de waterafvoer.

5.4 Het zwembad leeg laten lopen

Via het filter kan men het zwembad aan het einde van het seizoen vrijwel geheel leeg laten lopen. Men dient hiertoe de bovenste wisselklep in de stand waterafvoer (WASTE) te zetten en, voordat men het filter in werking stelt, een slang op de vrije uitlaat van de wisselklep aan te sluiten zodat het water naar de afvoer of het riool wordt afgevoerd. Afhankelijk van het model van de skimmer gaat men als volgt te werk :

5.4.1 Model met wandskimmer, Dream Pool zwembaden en Jet Pool zwembaden :

- ? Neem de binnenkorf van de skimmer weg en sluit de aanzuig met de daartoe bijgeleverde dop af.
- ? Maak de aanzuigslang van de aansluiting van de skimmer los door de slangklem waarmee deze bevestigd is, los te draaien en de slang zo vast te houden dat er geen water uitkomt en er lucht in kan komen.
- ? Neem de slang weg en dek het uiteinde af, zodat er geen lucht in komt en dompel de slang direct in het zwembad onder.
- ? Verzwaar het uiteinde van de aanzuigslang met een zwaar voorwerp dat het doek niet beschadigd, zodat de slang naar de bodem van het zwembad zinkt.
- ? Schakel de pomp in en laat het zwembad leeg lopen. Denk eraan dat het zwembad via het filter niet helemaal leeg zal lopen en zet de pomp uit als er nog een paar cm. in het zwembad zit en de pomp geen water meer afzuigt.
- ? Verwijder het resterende water met de hand zonder het doek te beschadigen, als men het zwembad opnieuw vol wil laten lopen.
- ? Als men het zwembad demonteert kan men de zak met het resterende water in het midden dubbelvouwen en nadat men het plaatwerk verwijderd heeft, de zak weer uitvouwen om al het water te verwijderen. Deze handeling mag uitsluitend uitgevoerd worden als het zwembad wil demonteren.

5.4.2 Model met zelfdragende skimmer Magic Pool zwembaden :

- Naast de waterafvoer waarmee het zwembad uitgerust is, kan men ook gebruik van de waterzuivering maken om het zwembad leeg te laten lopen:
- ? Til de zelfdragende skimmer zover op dat deze aan de buitenkant van de zijwand van het zwembad hangt om te voorkomen dat er water in kan komen.
 - ? Maak de aanzuigslang van de aansluiting van de skimmer los door de slangklem waarmee deze bevestigd is, los te draaien en de slang zo vast te houden dat er geen water uitkomt en geen lucht inkomt.
 - ? Neem de slang weg en dek het uiteinde af, zodat er geen lucht in kan komen en dompel de slang direct in het zwembad onder.
 - ? Verzwaar het uiteinde van de aanzuigslang met een zwaar voorwerp dat het doek niet beschadigd, zodat de slang naar de bodem van het zwembad zinkt.
 - ? Schakel de pomp in en laat het zwembad leeg lopen. Denk eraan dat het zwembad via het filter niet helemaal leeg zal lopen en zet de pomp uit als er nog een paar cm. in zit en de pomp geen water meer afzuigt.
 - ? Verwijder het resterende water met de hand zonder het doek te beschadigen als men het zwembad opnieuw vol wil laten lopen.

VOORKOM DAT DE SLANG ZICH OP HET DOEK VAN DE BODEM VAN HET ZWEMBAD VASTZUIGT, OMDAT DE POMP, WANNEER DEZE ZONDER WATER WERKT, OF HET DOEK HIERDOOR BESCHADIGD KUNNEN WORDEN.

5.5 De bodem van het zwembad schoonmaken

Men kan van de filterpomp gebruik maken om de bodem van het zwembad schoon te maken. Hiervoor zijn de onderstaande toebehoren verkrijgbaar:

Bodemreiniger "Riñón", bodemreiniger "Oval" (ook heeft men een slang van Ø38 mm en de stok) nodig. Raadpleeg hierover de winkel of de afdeling Aftersales van de fabrikant bij wie u het zwembad gekocht heeft. Gebruik altijd originele onderdelen.

Een slang die langer is dan nodig om het hele zwembad te beslaan, is moeilijker in gebruik. Snijd daarom de slang op de juiste lengte af. Let erop dat de rubber aansluitingen niet lekken.

5.5.1 Het onluchten van de slang van de bodemreiniger:

Plaats de bodemreiniger met de stok en de aangesloten slang in verticale positie voorzichtig in het zwembad, laat hem vol met water lopen en houd de rest van de slang uit het water. Breng de slang beetje bij beetje (stukjes van 50 cm.) in het water, zodat het stukje slang direct onder water komt en geheel met water gevuld wordt totdat men aan het einde van de slang komt en deze geheel ondergedompeld is en vol water zit. Als de slang niet volledig vrij van lucht is, zuigt de bodemreiniger niet en kan de waterzuivering als deze zonder water werkt, beschadigd worden.

5.5.2 Model met wandskimmer, Dream Pool zwembaden en Jet Pool zwembaden :

Breng de zuigdop (toebehoren) in de skimmer aan met de aansluiting naar boven zonder de korf te verwijderen. Onlucht de slang.

Voer het uiteinde van de slang via DE BINNENZIJDE VAN HET ZWEMBAD door de poort van de skimmer en let erop dat er daarbij geen lucht in komt. Sluit de slang op de aansluiting van de zuigdop aan en houd deze daarbij schuin vast, zodat deze makkelijker kan worden aangesloten. Breng vervolgens de slang horizontaal verder naar binnen. Let erop dat

de poort van de skimmer bij deze handeling niet beschadigd wordt. Het waterpeil van de skimmer dient maximaal te zijn en zich boven de verbinding van dop en slang te bevinden, zodat er geen lucht in kan komen.
Zet de pomp in de stand zuiveren (FILTER) aan en maak de bodem van het zwembad schoon.

5.5.3 Model met zelfdragende skimmer Magic Pool zwembaden :

Verwijder de bovenste drijvende ring van de skimmer zonder de korf van het voorfilter te verwijderen, plaats de zuigdop (toebehoren) met de aansluiting naar boven aan de bovenkant van de skimmer en laat de skimmer zover in het zwembad zakken dat de zuigdop geen lucht aanzuigt.

Ontlucht de slang.

Let erop dat er geen lucht in komt en sluit deze op de aansluiting van de zuigdop aan. De verbinding van slang en dop dient onder water te zitten, zodat er geen lucht in kan komen.

Schakel de pomp in en maak de bodem van het zwembad schoon.

5.6 Sluiter

De sluitstand (CLOSED) Afb. 12 van de klep wordt gebruikt om te voorkomen dat het water via de slangen en het filter circuleert.

6 VERVANGEN VAN HET SNOER

Als het snoer beschadigd is, dient men als volgt te werk te gaan:

? Sluit het apparaat van de stroomtoevoer af.

? Zet de wisselklep in de sluitstand (CLOSED) en sluit de skimmer met de dop zodat alleen het water uit de slang verwijderd wordt.

? Maak de slang die van de pomp naar het filter gaat, los door de slangklem los te draaien en verwijder het beschermklepje (Afb. 9).

? Draai de twee schroeven los waarmee het filterhuis bevestigd is en breng dit omhoog (Afb. 10).

? Draai de twee schroeven los die het snoer vastklemmen (Afb. 11).

? Maak de drie aansluitklemmen van de schakelkast van de pomp los en let op de positie ervan.

? Verwijder de slang om deze te vervangen en voer de handelingen in omgekeerde volgorde uit.

7 ONDERHOUD

Na het zomerseizoen dient het filter op een droge plek en beschut tegen de weersomstandigheden bewaard te worden. Hierom dient men na het voor de laatste keer automatisch reinigen van het silex, de slangen los te maken en al het water via de leegdop van het reservoir uit het filter te verwijderen.

Verwijder, nadat al het water uit het filter afgetapt is, de silex op het schroefdraad alvorens de dop weer aan te brengen, omdat het schroefdraad hierdoor eventueel beschadigd kan worden.

De leegdop van het filterreservoir mag alleen voor deze handeling gebruikt worden.

BELANGRIJK: controleer voordat men het filter weer inschakelt nadat het een langere periode niet gebruikt is, of de motoras niet vast zit. Verwijder de beschermende ombouw zoals in paragraaf 6 beschreven is, door deze met een platte schroevendraaier bij het uiteinde, dat via de het metalen ventilatiedeksel zichtbaar is, achter de bobine van de motor, te bewegen totdat deze vrijkomt en draai de as naar heen en weer. Als de as niet draait, maak dan het wieltje van de turbine schoon zoals in paragraaf 7.1. beschreven is.

Ook dient men te controleren of het filter ontlucht is alvorens de motor naar een langere periode van stilstaan te starten.

7.1 Onderhoud van de pomp

De filterpomp is in principe onderhoudsvrij. Echter het gebruik van het apparaat bij zwembaden die erg vuil zijn, met name bladeren, kan ertoe leiden dat de as van de pomp vastloopt. Mocht dit gebeuren, dan dient men als volgt te werk te gaan:

? Sluit het apparaat van de stroomtoevoer af.

? Zet de klep in de sluitstand (CLOSED).

? Breng de sluitdop van de skimmer aan.

? Maak de aanzuigslang van de pomp naast het witte huis los.

? Maak de verbindingsmof pomp-kop los bij het uiteinde dat uit het huis komt.

? Demonteer het filterhuis op dezelfde wijze als voor het vervangen van het snoer.

? Draai de 9 (negen) schroeven los waarmee het deksel van het pomphuis bevestigd is.

? Maak het wieltje schoon. Als het kapot is, neem dan contact op met de fabrikant van het zwembad om het te vervangen.

? Monteer het deksel van de pomp en let erop dat deze goed gecentreerd en aangedraaid is.

? Verbind de mof met het pompdeksel.

? Monteer het huis in omgekeerde volgorde van het demonteren.

? Sluit de aanzuigslang van de pomp naast het witte huis weer aan.

? Verwijder de sluitdop van de skimmer.

7.2 Oplossen van storingen en de technische dienst.

Dit filter en deze aanwijzingen zijn speciaal bedoeld voor de gebruikers zonder dat hierbij het inschakelen van een vakman nodig is behalve in bijzondere gevallen. Hier geven wij de problemen en de oorzaken aan die zich mogelijk tijdens het gebruik van het filter door de jaren heen kunnen voordoen en die u zelf kunt oplossen. Indien u het probleem niet kunt oplossen, neem dan telefonisch contact op met de fabrikant van het zwembad wiens nummer en kantooruren in de handleiding vermeld zijn.

PROBLEEM	OORZAAK	OPLOSSING
Het filter lekt bij de aansluiting van de slangen	De aansluiting van de slangen is niet goed	Breng teflon bij de behuizingen aan, steek de aansluitpunten geheel in de slangen tot achter in de behuizing en zet de slangklemmen vast
Na het inschakelen van het filter is er geen doorstroom bij het mondstuk van de retourleiding	De klep staat niet in de stand zuiveren (FILTER) Er zit lucht in het filter boven het waterpeil. De pomp is vastgelopen en moet gedemonteerd worden De zuigdop of de skimmerdop zijn aangebracht	Schakel het filter uit en zet de wisselklep in de juiste stand Plaats het filter in de juiste stand en ontlucht het filter Zie paragraaf onderhoud van de pomp Verwijder de zuigdop of de skimmerdop
Haperende werking	Laag waterpeil in de skimmer Er zit lucht in het filter	Laat het zwembad vollopen en ontlucht het filter Het filter ontluchten
Het filter geeft een lage doorstroom	Door het gebruik is het filter vuil geworden Er zit lucht in het filter	Laat het filter automatisch reinigen Het filter ontluchten
Er komt water uit het mondstuk van het filter	Het gebied van de verbinding van klep en filter is vuil De klemband zit los	Maak het mondstuk schoon, plaats de pakking op de juiste wijze in de klep en draai de klemband strak aan
De klep van het filter lekt bij de waterafvoeraansluiting (WASTE)	Inwendige pakking beschadigd door een onjuist gebruik van het chemische middel Kop van de klep is kapot door onjuist gebruik (te strak aangedraaid)	Vervang het bovenste deksel van de klep Breng geen chemisch middel in de korf van het voorfilter van de skimmer in Vervang de kop van de klep en draai deze niet te strak aan
De motor start niet. Hij maakt geen geluid en trilt niet	Er is geen stroom in de elektrische leiding. Losse aansluitingen bij de motor.	Controleer of er stroom door de leiding loopt Maak de motor open (paragraaf 6) en kijk de aansluitingen van de motor na
De motor start niet maar men hoort een zoemgeluid	De as zit vast na langere tijd niet gebruikt te zijn. Gesmolten condensator (6°F)	Zie paragraaf 7 Deze is bij de speciaalzaak verkrijgbaar (vervangen tijdens de garantieperiode van het apparaat)
Er lekt water bij de beschermende ombouw	Verwijder het huis (zie paragraaf 6) en ga de oorzaak van het lekken van water na	Loop de slangklemmen van de slangen na Als er water tussen de pomp en de motor lekt, neem dan contact met de afdeling aftersales van de fabrikant van het zwembad op

Leia com atenção este manual antes de instalar o filtro e siga rigorosamente as indicações durante a instalação e respectivo uso.

Guarde este manual para futuras consultas sobre o funcionamento deste aparelho

INDICAÇÕES DE SEGURANÇA, LEIA COM ATENÇÃO

? No que se refere à instalação eléctrica dever-se-á seguir a norma:

NF C15-100

NF EN 60-335-20-41

relativa “à construção de instalações eléctricas, tanto em piscinas cobertas como em piscinas ao ar livre”, ou a norma análoga vigente em cada região ou país.

“Todas as filtrações seguem a norma de instalação C 15-100 que especifica que qualquer aparelho eléctrico situado a menos de 3,5 m da piscina e com livre acesso deve estar alimentado com muito baixa tensão 12 V. Todo aparelho alimentado com 220 V deve estar situado a, no mínimo, 3,5 m do bordo da piscina. Para qualquer modificação de um ou de vários elementos do sistema de filtração”, deve-se pedir a autorização do fabricante.

? A instalação eléctrica deve ser realizada por profissionais qualificados em instalações eléctricas.

? A altura da areia não deve ultrapassar 2/3 da altura do depósito.

? Não deixe o aparelho ligado quando estiver a utilizar a piscina.

? Não faça o aparelho funcionar sem estar correctamente purgado.

? Não toque NUNCA no filtro em funcionamento com o corpo ou com as mãos húmidas.

? Quando tiver de manipular o filtro ou a válvula, DESLIGUE-O da tomada.

? Assegure-se de que o chão esteja seco, antes de tocar no equipamento eléctrico.

? Não coloque o filtro onde ele possa se molhar, pode causar electrocussão.

? Não permita que crianças ou adultos se apoiem ou sentem no aparelho.

? Se o cabo de alimentação flexível estiver danificado, deverá ser substituído. Leia com atenção as instruções para a substituição do cabo. Em caso de dúvida consulte ou serviço técnico.

1 INSTRUÇÕES FILTRO MONOBLOCO

O filtro que você acaba de comprar é um aparelho especialmente concebido e desenhado para piscinas elevadas. Com um desenho inovador e uma grande funcionalidade, dispõe dos diferentes elementos necessários para filtrar a água: filtro, bomba e válvula selectora num só aparelho. Os principais componentes deste filtro são:

Fig.	Pos.	Denominação
1	1	Filtro
1	2	Bomba
1	3	Válvula selectora <TOP>
1	4	Carcaça de protecção
1	5	Tampa de esvaziamento
1	6	Tampas de ventilação
1	7	Cabo eléctrico de alimentação

1.1 PARA INSTALAR O APARELHO CORRECTAMENTE

Devido à facilidade de instalação, este aparelho pode ser montado por uma única pessoa adulta durante aproximadamente **2 HORAS**, com a devida precaução de seguir rigorosamente as instruções descritas neste manual. Para a manipulação correcta dos componentes do filtro e a sua correcta instalação, são necessárias as seguintes ferramentas:

Função	Ferramenta	Ferramenta alternativa
Apertar os flanges das mangueiras	Chave de parafuso stecker 7mm	Chave de parafuso philips
Recortar o liner	X-acto	Lâmina gilete
Protecção do tubo do colector	Pedaço de plástico	Pedaço de tecido

2 ANTES DE LIGAR O FILTRO

2.1 Instalação

Coloque o filtro sobre uma superfície plana e sólida, a uma distância não inferior a 3,5 m. da piscina (segundo norma **NF C15-100** ou norma análoga vigente em cada região ou país.) e no mesmo nível do fundo da piscina, para evitar que entre ar no circuito de depuração e se forme uma câmara de ar no filtro (fig. 2). É conveniente proteger o filtro do sol e da chuva, bem como mantê-lo com uma boa ventilação e não cobri-lo nunca durante o seu funcionamento.

2.2 Montagem

Antes de começar a montar o filtro, deve montar o skimmer. Versão AR130, seguir as instruções fornecidas com o skimmer, ou com a piscina.

Uma vez colocado o filtro, proceda do seguinte modo:

- ? Desaperte o parafuso do anel ou fecho que prende a válvula ao filtro (Fig.4).
- ? Retire a válvula selectora TOP e tampe a boca do tubo do colector interior com um plástico de protecção para evitar a entrada de areia (Fig.5).
- ? Assente correctamente o colector interior no fundo do filtro (Fig.6).
- ? Introduza 25 Kg de areia, **NO FORNECIDA**, (Fig.5) no interior do filtro. A areia de sílex tem uma duração ilimitada. Somente deve ser reposta em caso de perda. Tome a referência do nível de areia de sílex para futuras reposições.
- ? Elimine os restos de areia da boca do filtro e retire o plástico de protecção.
- ? Coloque novamente a válvula selectora TOP com a respectiva junta e coloque o anel ou fecho.
- ? Aperte com força o parafuso do anel que prende a válvula ao filtro (Fig.4).
- ? Proceda a ligar as mangueiras de aspiração e de impulsão nos terminais de aspiração e de impulsão da válvula, fixando-as bem com as braçadeiras (Fig.7).
- ? Proceda a colocar o teflon fornecido na rosca do terminal do skimmer e ligue a outra extremidade da mangueira de aspiração, apertando bem com uma braçadeira. Repita a mesma operação com o terminal da abertura de retorno e ligue a mangueira de impulsão.
- ? Uma vez instalado, deveremos efectuar um primeiro ciclo de auto-lavagem do filtro, para isso procederemos do modo descrito no ponto 5.3.

3 LIGAÇÃO ELÉCTRICA

No que se refere à instalação eléctrica dever-se-á seguir a norma:

NF C15-100

NF EN 60-335-2-41

relativa “à construção de instalações eléctricas, tanto em piscinas cobertas como em piscinas ao ar livre”, ou a norma análoga em cada região ou país.

A bomba deve ser ligada a uma tomada de 220/230 V de corrente alterna e 50 Hz, com ligação à terra. Consumo 240 W. É imprescindível utilizar um interruptor omnipolar, para deixar o filtro sem tensão quando não estiver a ser usado, e um interruptor diferencial de 30 mA para a protecção de descargas (Não fornecidos. Podem ser adquiridos em estabelecimentos de materiais eléctricos).

4 VÁLVULA SELECTORA SUPERIOR

Através da válvula selectora superior do filtro seleccionamos as 4 diferentes funções do filtro: filtração (FILTER), lavagem (BACKWASH), esvaziamento (WASTE) e fechamento (CLOSED). Para modificar a posição da válvula, proceda do seguinte modo:

- ? Desligue sempre a ficha da tomada.
- ? Afrouxe o manete triangular superior da válvula girando-o até que a tampa se levante do seu alojamento para poder girá-la.
- ? Gire a tampa até que a operação desejada fique alinhada com a mangueira de retorno, onde há o encaixe e o nervo fique encaixado no seu alojamento (ver fig.12).
- ? Aperte o manete novamente girando-o, **não excessivamente**, pois os elementos internos da válvula poderiam ser danificados.

5 FUNCIONAMENTO

O funcionamento deste filtro baseia-se na capacidade de filtração da areia de sílex presente no seu interior. A água da piscina é impulsionada pela bomba do filtro e forçada a passar através da areia de sílex, ficando retidas as impurezas da água na areia que actua de elemento filtrante. O ambiente, árvores, pólen, insectos e frequência de banhos são, entre outros, factores que determinam a sujidade da água da piscina e, portanto, a frequência de limpeza da areia de sílex do filtro. (ver ponto 5.3).

Para manter a água da piscina em bom estado deverá utilizar também os produtos químicos recomendados pelo fabricante (cloro, anti-algas, etc.)

O PRODUTO QUÍMICO NÃO DEVE SER COLOCADO NUNCA NA CESTA OU ATRAVÉS DO FILTRO, JÁ QUE ISSO DETERIORARIA OS MATERIAIS DO APARELHO E LIMITARIA A SUA EFICÁCIA

5.1 Purga do filtro

É imprescindível que o filtro esteja sempre correctamente purgado. Que o filtro não esteja purgado significa que no seu interior se formou uma câmara de ar que provoca a circulação defeituosa da água, impedindo a correcta filtração da mesma pela areia de sílex e prejudicando o motor.

O filtro pode acumular ar por vários motivos:

- ? Colocação em funcionamento de um equipamento novo.
- ? Colocação em funcionamento de um equipamento após um longo período sem actividade.
- ? Após utilizar um limpador de fundos de aspiração.
- ? Absorção de ar pelo skimmer, devido a um nível baixo na água da piscina.
- ? Por uma incorrecta utilização do equipamento, da tampa de aspiração ou da tampa de skimmer.

5.1.1 Quando há uma acumulação de ar no filtro?

Detectaremos uma acumulação de ar no filtro quando:

- ? Verifiquemos que a água que entra no filtro emite um ruído de queda livre, o que nos indica a formação de uma câmara de ar entre a entrada da água e a areia de sílex.
- ? Verifiquemos uma saída excessiva de bolhas de ar pela abertura de retorno.
- ? Verifiquemos que o limpador de fundos (não fornecido) não aspira, estando a areia de sílex limpa após uma lavagem.

5.1.2 Como purgar o filtro?

- ? Comprove que a mangueira de aspiração esteja ligada ao skimmer e a passagem aberta (sem a tampa).
- ? Desligue o filtro da tomada.
- ? Com a válvula na posição de filtração (FILTER), desaperte um pouco a porca de purga que se encontra junto ao manómetro para deixar sair o ar acumulado no interior do filtro. Se não tiver colocado o manómetro, desaperte o manete triangular até que saia água sem bolhas pela saída de esvaziamento(WASTE).
- ? Quando observar que sai apenas água (entre 1 e 2 minutos), aperte novamente a porca de purga.
- ? Ligue o filtro à tomada e verifique se a água já não emite o ruído de queda livre. De contrário, repita a operação.

5.2 Filtração

A válvula deve estar na posição de filtração (FILTER) fig 12. A vida útil do filtro pode ser prolongada com períodos de funcionamento contínuos não superiores a 4h. A necessidade de filtração vem dada pelo volume de m³ de água da sua piscina em relação aos m³/h do caudal do filtro. Deixe o motor descansar no mínimo 2h. entre cada período de funcionamento de 4 horas.

$$\frac{\text{Volume piscina em m}^3}{\text{Caudal filtro em m}^3/\text{h}} = \text{horas necessárias}$$

Exemplo:

$$\frac{26 \text{ m}^3}{3,5 \text{ m}^3/\text{h}} = 7,42 \text{ horas} \quad \text{2 ciclos de 4 horas com um ciclo intermédio de 2 horas de descanso}$$

No tratamento inicial de filtração, devem ser respeitados os períodos de descanso indicados.

5.3 Lavagem da areia

Com o processo de auto-lavagem procedemos à limpeza da areia de sílex do interior do filtro, para isso dever-se-á inverter o sentido de circulação da água mediante a válvula selectora superior. Este processo deve ser realizado regularmente, por isso dever-se-á estar atento aos vários factores que determinam a sujidade da areia:

- ? Detecção de uma redução do caudal de retorno, uma vez comprovado que a bomba está bem purgada.
- ? Indicação de uma pressão excessiva no manómetro (agulha situada entre os sinais amarelo e vermelho, ou sobre o sinal vermelho).

5.3.1 Para a auto-lavagem do filtro deveremos proceder da seguinte forma:

- ? Desligue o filtro da tomada. **Não mova nunca a válvula selectora com o motor em funcionamento.**
- ? Desaperte o manete triangular superior da válvula, girando-o até que a tampa se levante do seu alojamento para poder girá-la. Coloque a válvula na posição de auto-lavagem (BACKWASH), encaixando novamente a tampa no seu alojamento girando o manete, porém não excessivamente, já que a válvula poderia ser danificada.
- ? Ligue a mangueira de Ø38 mm x 1,5 m à saída de esvaziamento (WASTE) fig 8, pos 8, da válvula e dirija a outra extremidade da mangueira a um desaguadouro ou esgoto.
- ? Faça o filtro funcionar durante 2 min. aproximadamente (até que já não saiam impurezas com a água).
- ? Pare o filtro e deixe-o descansar durante 2 min. para permitir o assentamento do sílex e evitar que seja expelido à piscina.
- ? Coloque a válvula novamente na posição desejada (filtração ou fechamento) e retire a mangueira da saída de esvaziamento.

NÃO MANIPULE NUNCA A VÁLVULA COM O MOTOR EM FUNCIONAMENTO

5.4 Esvaziamento da piscina

O filtro permite o esvaziamento quase total da piscina, uma vez terminada a temporada de banho. Para isso, deverá colocar a válvula selectora superior na posição de esvaziamento (WASTE), fig 12 sem ligar ainda o filtro, ligando uma mangueira à saída livre da válvula selectora para dirigir a água até ao desaguadouro ou esgoto. De acordo com o modelo de skimmer, proceda da seguinte forma:

5.4.1 No modelo com skimmer de parede Piscinas Dream Pool e Piscinas Jet Pool :

- ? Retire a cesta interior do skimmer e tampe a aspiração com a tampa fornecida para esse fim.
- ? Desligue a mangueira de aspiração da tomada do skimmer, afrouxando a braçadeira que a prende e segurando a mangueira para que não perda a água e acumule ar.
- ? Retire a mangueira, tampando a extremidade para que não entre ar, e mergulhe-a imediatamente na piscina.
- ? Lastre a extremidade da mangueira de aspiração com um objecto pesado que não possa danificar o liner, para forçar a sua imersão até ao fundo da piscina.
- ? Ligue a bomba e proceda ao esvaziamento da piscina. Lembre-se que com a ajuda do filtro a piscina não se esvaziará totalmente, quando restem alguns cm. de água e a bomba já não aspire água, deverá desligá-la.
- ? Se quiser encher novamente a piscina de água, antes retire manualmente a água restante sem danificar o liner.
- ? Se quiser desmontar a piscina pode dobrar a bolsa com a água restante no centro e, depois de retirar a chapa, abra a bolsa para esvaziá-la completamente. Esta operação somente deve ser efectuada para desmontar a piscina.

5.4.2 No modelo com skimmer autoportante Piscinas Magic Pool :

Para além do desaguadouro que a piscina incorpora, poderá utilizar um dreno para esvaziá-la:

- ? Levante o skimmer autoportante até deixá-lo dependurado no lado exterior da piscina, para evitar que a água entre nele.
- ? Desligue a mangueira de aspiração da tomada do skimmer pela parte exterior da parede da piscina, afrouxando a braçadeira que a prende com cuidado para não danificar o liner e segurando a mangueira para que não perda a água e acumule ar.
- ? Retire a mangueira, tampando a extremidade para que não entre ar, e mergulhe-a imediatamente na piscina.
- ? Lastre a extremidade da mangueira de aspiração da tomada do skimmer com um objecto pesado que não possa danificar o liner, para forçar a sua imersão até ao fundo da piscina.
- ? Ligue a bomba e proceda ao esvaziamento da piscina. Lembre-se que com a ajuda do filtro a piscina não se esvaziará totalmente, quando restem alguns cm. de água e a bomba já não aspire água, deverá desligá-la.
- ? Se quiser encher novamente a piscina de água, escoe a água restante num desaguadouro sem danificar a piscina.

EVITE QUE A MANGUEIRA ASPIRE O FUNDO DO LINER DA PISCINA, POIS PODERIA PREJUDICAR SERIAMENTE A BOMBA AO FUNCIONAR SEM CIRCULAÇÃO DE ÁGUA OU O LINER POR SUÇÃO

5.5 Limpeza do fundo da piscina

Para a limpeza do fundo da piscina, pode utilizar a bomba do filtro com um dos seguintes acessórios: Limpador de fundos "Riñón", Limpador de fundos "Oval" (também precisará utilizar a mangueira de Ø38 mm e a vara). Consulte o seu estabelecimento ou o Serviço de Pós-venda do fabricante da piscina para a sua aquisição. Utilize sempre reposições originais.

Um mangueira com um comprimento superior ao necessário para chegar a todos os pontos da piscina dificulta a operação. Recorte o pedaço de mangueira que sobrar. Cuide que os terminais de borracha não percam a sua estanqueidade.

5.5.1 Purga da mangueira do limpador de fundos:

Introduza com cuidado o limpador de fundos no interior da piscina com a vara e a mangueira ligadas verticalmente, deixe que ele se encha de água e mantenha o resto da mangueira fora da água. Introduza a mangueira na água devagar, por partes de 50 cm que devem ficar submergidas ao mesmo tempo que se enchem completamente de água, até que toda a mangueira fique cheia de água e submergida. Se a mangueira não estiver totalmente purgada, o limpador de fundos não aspirará e poderemos danificar o dreno fazendo-o trabalhar no vazio.

5.5.2 No modelo com skimmer de parede Piscinas Dream Pool e Piscinas Jet Pool :

Coloque no interior do skimmer o acessório tampa aspiração com a tomada virada para cima, sem retirar a cesta.

Purgar a mangueira.

Passe, desde o INTERIOR da PISCINA, a extremidade da mangueira pela comporta do skimmer e tendo o cuidado para que não entre ar na mesma, ligue-a à abertura da tampa aspiração, segurando-a obliquamente para facilitar a união. Coloque-a horizontalmente introduzindo mais a mangueira. Atenção para não danificar a comporta do skimmer nesta operação.

O nível de água do skimmer deve estar no máximo e por cima da união entre a tampa e a mangueira, para evitar a entrada de ar.

Ligue bomba na posição de filtração (FILTER) e proceda à limpeza do fundo da piscina.

5.5.3 No modelo com skimmer autoportante Piscinas Magic Pool :

Retire o anel superior flutuante do skimmer e sem retirar o cesto pré-filtro, coloque na parte superior do skimmer o acessório tampa aspiração com a abertura virada para cima e mergulhe o skimmer no interior da piscina o suficiente para que a tampa aspiração não receba ar.

Purgue a mangueira.

Tendo o cuidado para que não entre ar na mesma, ligue-a à abertura da tampa de aspiração. A união da mangueira e da tampa deve ficar sempre submersa para evitar a entrada de ar.

Ligue a bomba e proceda à limpeza do fundo da piscina.

5.6 Fecho

A posição de fechado da válvula selectora (CLOSED) fig. 12 é utilizada para evitar a circulação da água através das mangueiras e do filtro.

6 SUBSTITUIÇÃO DO CABO

Em caso de deterioração do cabo proceda do seguinte modo:

? Desligue o aparelho da tomada.

? Situe a válvula selectora na posição de fechado (CLOSED) e feche o skimmer com a tampa para que somente se esvazie a água da mangueira.

? Desligue a mangueira que vai da bomba ao filtro, afrouxando a braçadeira, e retire a tampa de protecção (Fig.9).

? Desaperte os dois parafusos que prendem a carcaça do filtro e levante-a (Fig.10).

? Desaperte os dois parafusos que prendem o cabo (Fig. 11).

? Desligue os três terminais da caixa de ligação da bomba, prestando atenção à sua posição.

? Extraia o cabo e, para substituí-lo, proceda de modo inverso ao descrito.

7 MANUTENÇÃO

Uma vez terminada a temporada de banho, dever-se-á guardar o filtro num lugar seco e protegido da intempérie.

Por esse motivo e após efectuar uma auto-lavagem final para limpar a areia de sílex, desmonte as mangueiras e esvazie totalmente a água do filtro através da tampa de esvaziamento do depósito.

Uma vez escoada toda a água do filtro, limpe cuidadosamente os resíduos de areia de sílex da rosca antes de colocar novamente a tampa, já que a rosca poderia ser danificada.

A tampa de esvaziamento do depósito do filtro somente deve ser usada nesta operação.

MUITO IMPORTANTE: Antes de colocar o filtro em funcionamento após um longo período sem actividade, comprove que o eixo do motor não esteja gripado. Retire a carcaça de protecção, como se indica no ponto 6, movendo-a com uma chave de parafuso plana, pela extremidade que aparece através da tampa metálica de ventilação, após a bobinagem do motor, até que o eixo seja liberado e gire à direita e à esquerda. Se não girar, proceda à limpeza do rotor da turbina como se indica no ponto 7.1.

É conveniente, também, assegurar-se de que o filtro esteja purgado antes de um arranque após uma paragem longa.

7.1 Cuidados da bomba

A bomba do filtro está preparada para funcionar sem nenhum tipo de manutenção específico. Entretanto, a utilização do aparelho em piscinas com um alto índice de sujidade, especialmente folhas, pode provocar a obstrução do eixo da bomba. Nesse caso proceda do seguinte modo:

? Desligue o aparelho da tomada.

? Coloque a válvula na posição fechado (CLOSED).

? Coloque a tampa de fechamento do skimmer.

? Desligue a mangueira de aspiração da bomba junto à carcaça branca.

? Solte o manga de ligação bomba-cabeçote da extremidade que sobressai da carcaça.

? Desmonte a carcaça do filtro da mesma forma que para a substituição do cabo

? Desaperte os 9 (nove) parafusos que prendem a tampa do corpo da bomba.

? Limpe o rotor. Se estiver danificado, consulte o fabricante da piscina para sua substituição.

? Monte a tampa da bomba novamente, assegurando-se de que a junta fique bem centrada e bem apertada.

? Ligue a manga à tampa da bomba.

? Monte a carcaça novamente, procedendo do modo inverso ao descrito para desmontá-la.

? Monte novamente a mangueira de aspiração da bomba junto à carcaça branca.

? Retire a tampa de fechamento do skimmer.

7.2 Solução de avarias e serviço técnico.

Este filtro e as suas instruções foram especialmente desenhados para uma utilização familiar, sem necessidade de uma intervenção profissional, salvo em casos especiais. Apresentamos abaixo os problemas e as causas que podem surgir com a passagem do tempo de vida útil do filtro e que você poderá solucionar. Em caso de não poder solucionar o seu problema, contacte com o fabricante da piscina no telefone e horário indicado nas instruções.

PROBLEMA	CAUSA	SOLUÇÃO
O filtro goteja pelos terminais das mangueiras	Ligação incorrecta dos terminais com as mangueiras	Porha teflon nos alojamentos, introduza os terminais das mangueiras até ao fundo do alojamento e aperte as braçadeiras
Uma vez ligado o filtro, no há caudal na abertura de retorno	A válvula não está na posição de filtração (FILTER)	Desligue o filtro e situe a válvula na posição correcta
	Ó filtro está acima do nível da água com ar acumulado	Situe o filtro numa posição correcta e purgue-o
	À bomba está obstruída e necessita ser desmontada	Ver ponto 7.1
	À tampa de aspiração ou a tampa do skimmer está posta	Retire a tampa de aspiração ou a tampa do skimmer
Funcionamento intermitente	Nível da água no skimmer baixo	Encha a piscina e purgue o filtro
	Ó filtro acumula ar	Proceda à purga do filtro
O filtro proporciona pouco caudal	O filtro está sujo devido ao uso	Efectue uma auto-lavagem
	Ó filtro cumula ar	Proceda à purga do filtro
Sai água pela boca do filtro	A zona de união entre a válvula e o filtro está suja	Limpe a areia da boca, coloque correctamente a junta na válvula e aperte o anel com força
	O anel está frouxo	
A válvula do filtro goteja pelo terminal de esvaziamento (WASTE)	Junta interior danificada pelo uso incorrecto do produto químico	Substitua a tampa superior da válvula
	Válvula cabeçote danificada pelo uso incorrecto (aperto excessivo)	Não coloque o produto químico na cesta pré-filtro do skimmer Substitua a válvula cabeçote, não aperte excessivamente
O motor não arranca. Não faz nenhum ruído ou vibração	Falta corrente na linha eléctrica.	Verifique se há corrente na linha eléctrica
	Terminais frouxos no motor.	Abra o motor (ponto 6) e revise os terminais do motor
O motor não arranca porém ouve-se um zumbido	Eixo gripado após uma paragem prolongada	Ver ponto 7
	Condensador fundido (6°F)	Pode ser adquirido num estabelecimento de material eléctrico (reposição em garantia do aparelho)
Perda de água pela carcaça de protecção	Retire a carcaça conforme ponto 6, e verifique a causa da perda de água	Revise as braçadeiras das mangueiras
		Se perde água entre a bomba e o motor, contacte com o serviço de pós-venda do fabricante da piscina

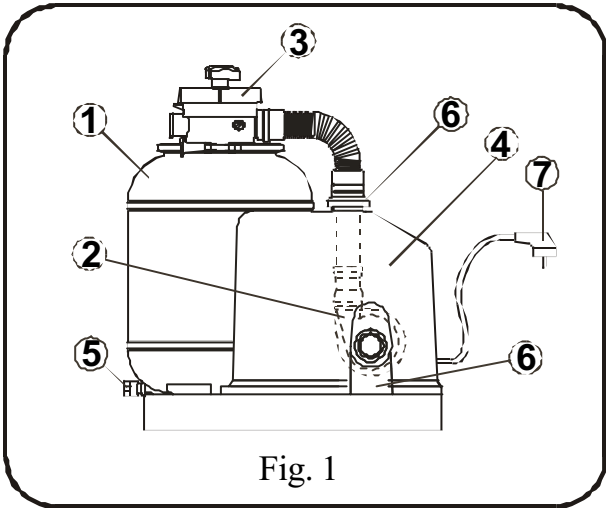


Fig. 1

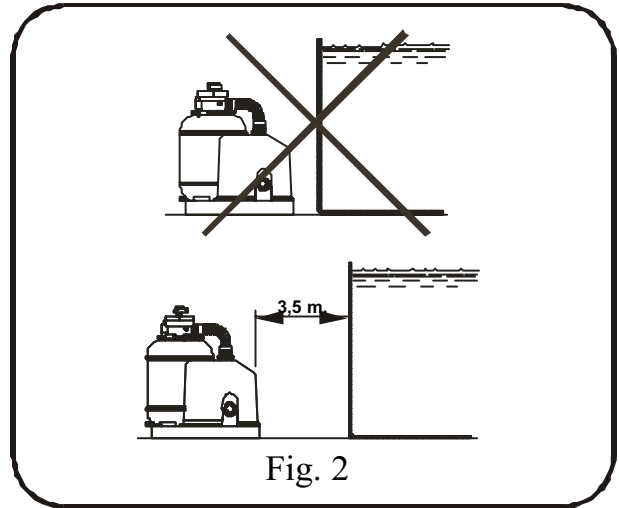


Fig. 2

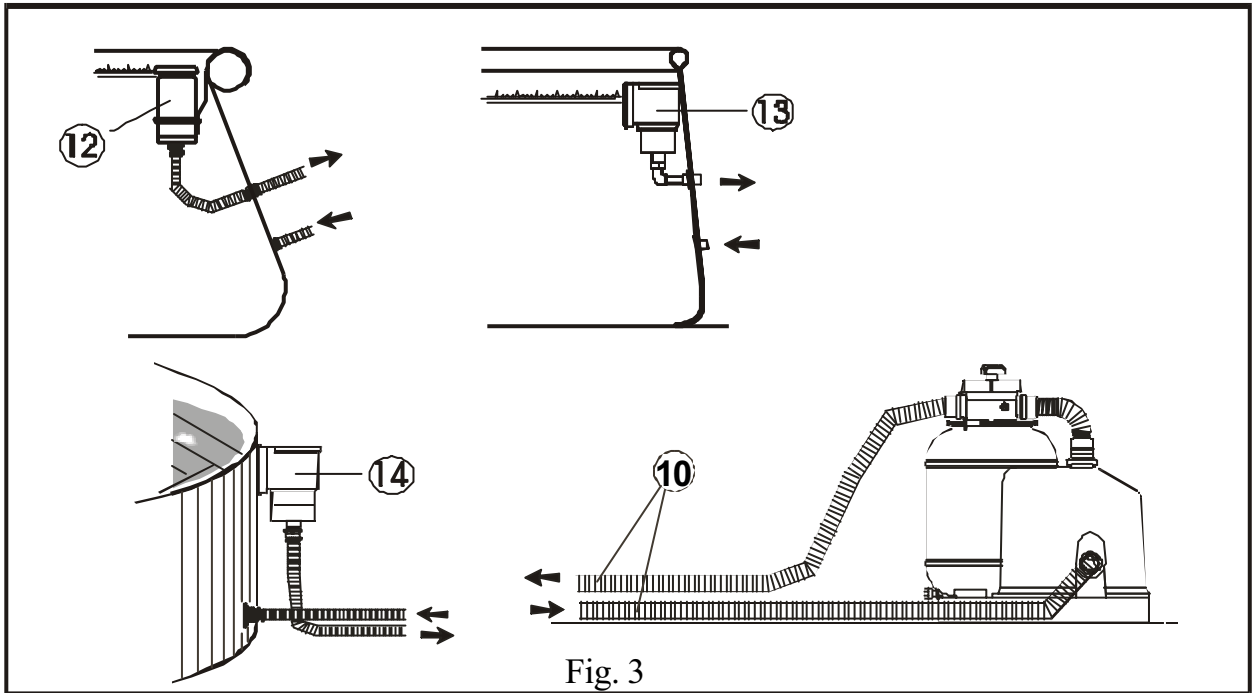


Fig. 3

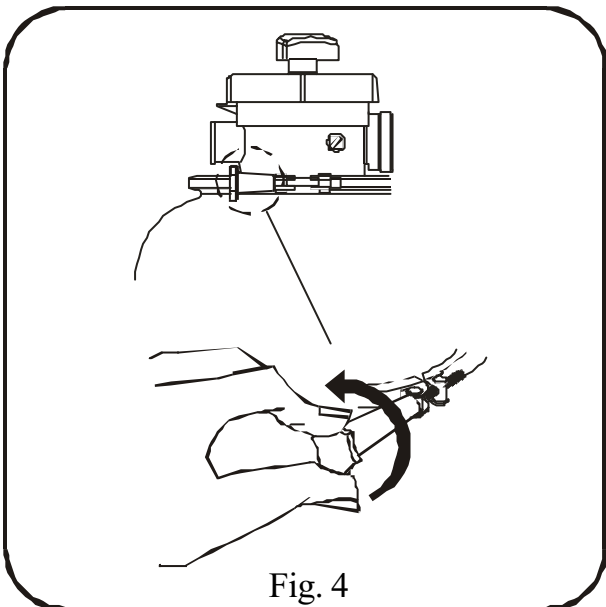


Fig. 4

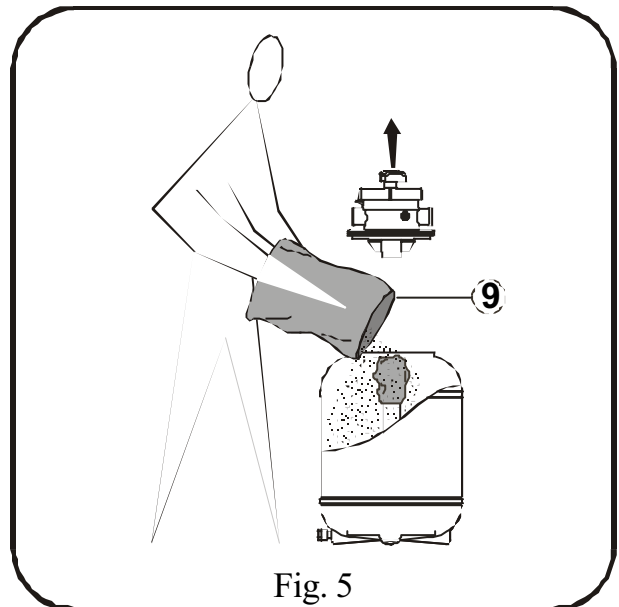
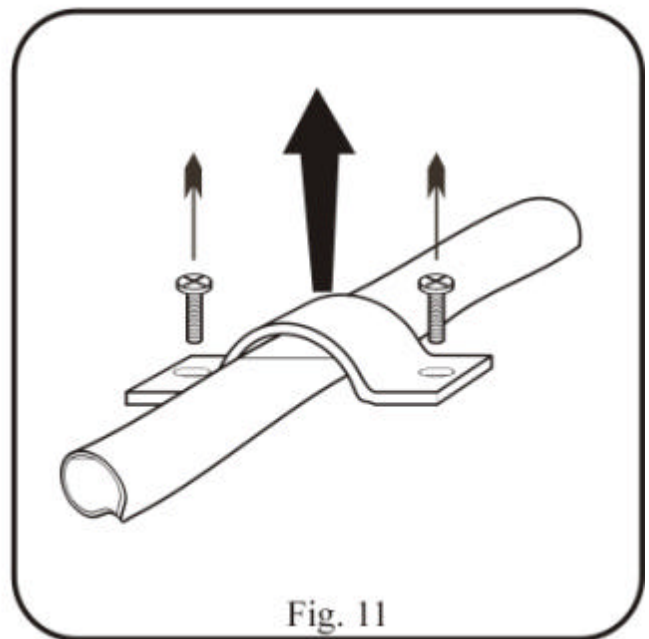
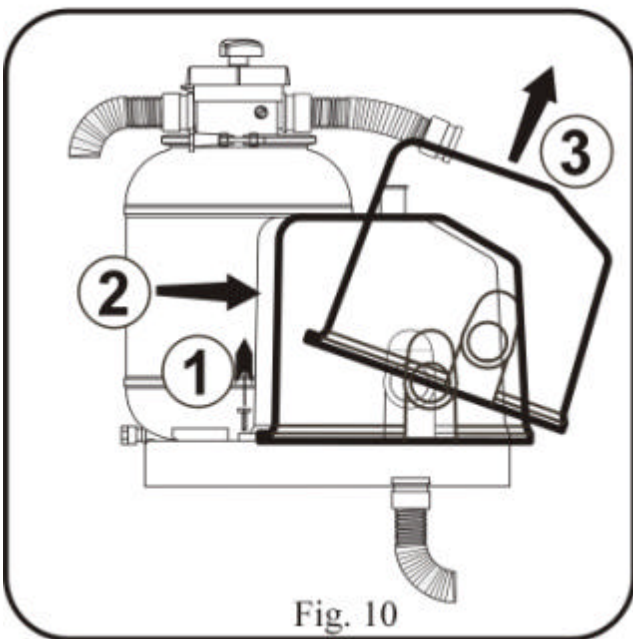
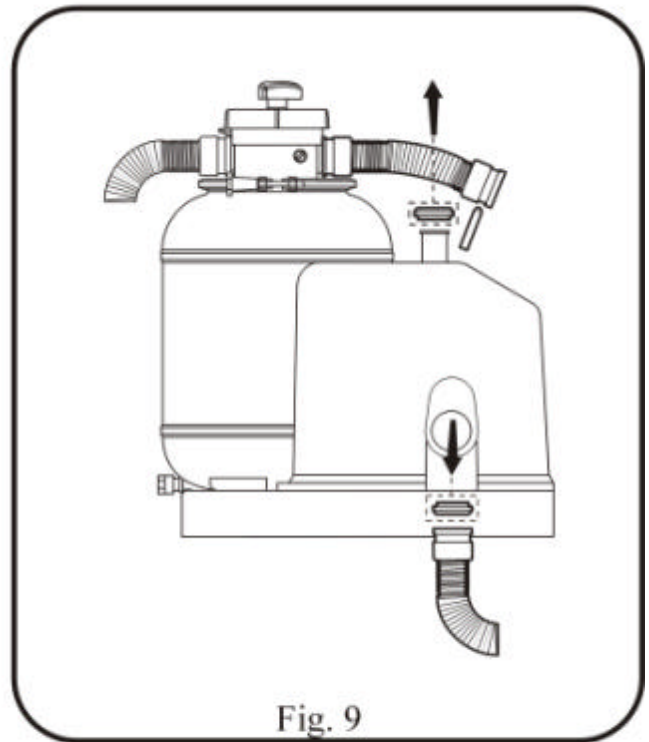
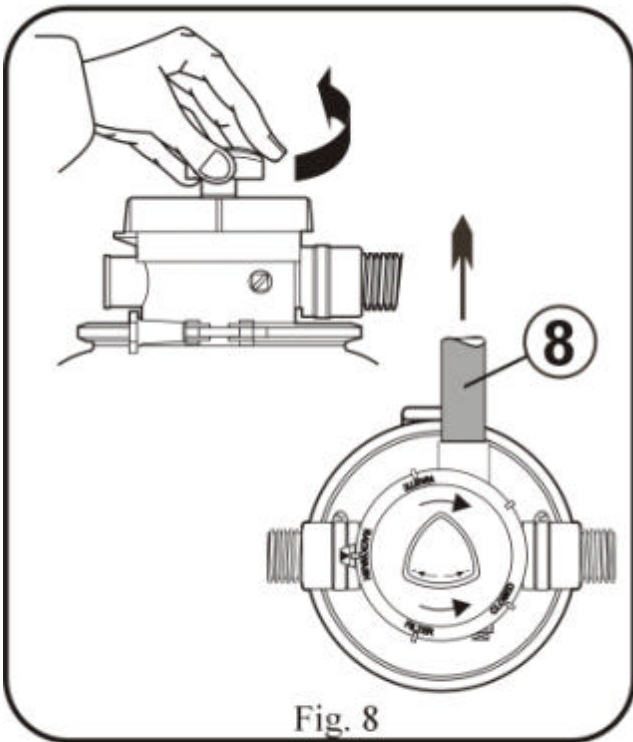
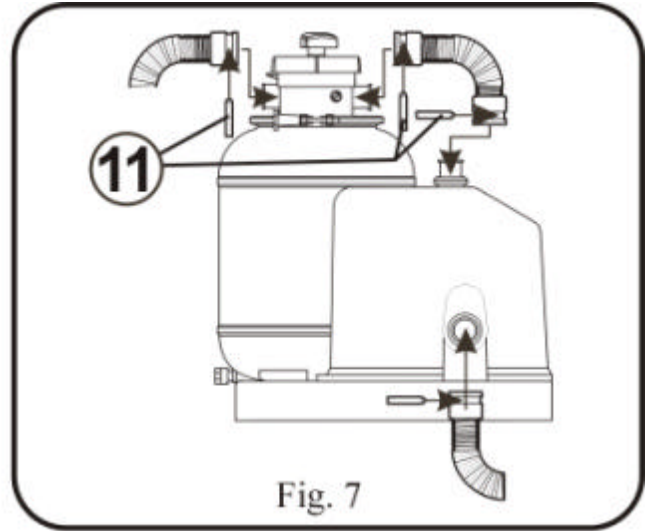
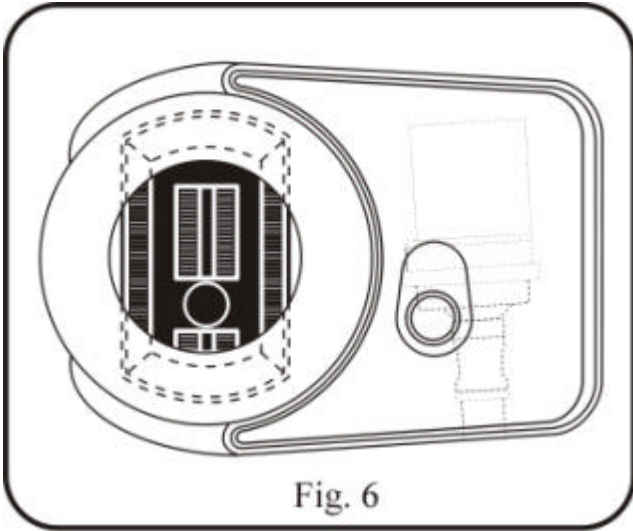


Fig. 5





FILTER



BACKWASH



WASTE



CLOSED

FIG. 12

The top selector valve on the filter is used to select the 4 different filter functions: filtration (FILTER), backwash, waste and closed.

Mediante la válvula selectora superior del filtro realizamos las 4 diferentes funciones del filtro: filtración (FILTER), lavado (BACKWASH), vaciado (WASTE) y cerrado (CLOSED).

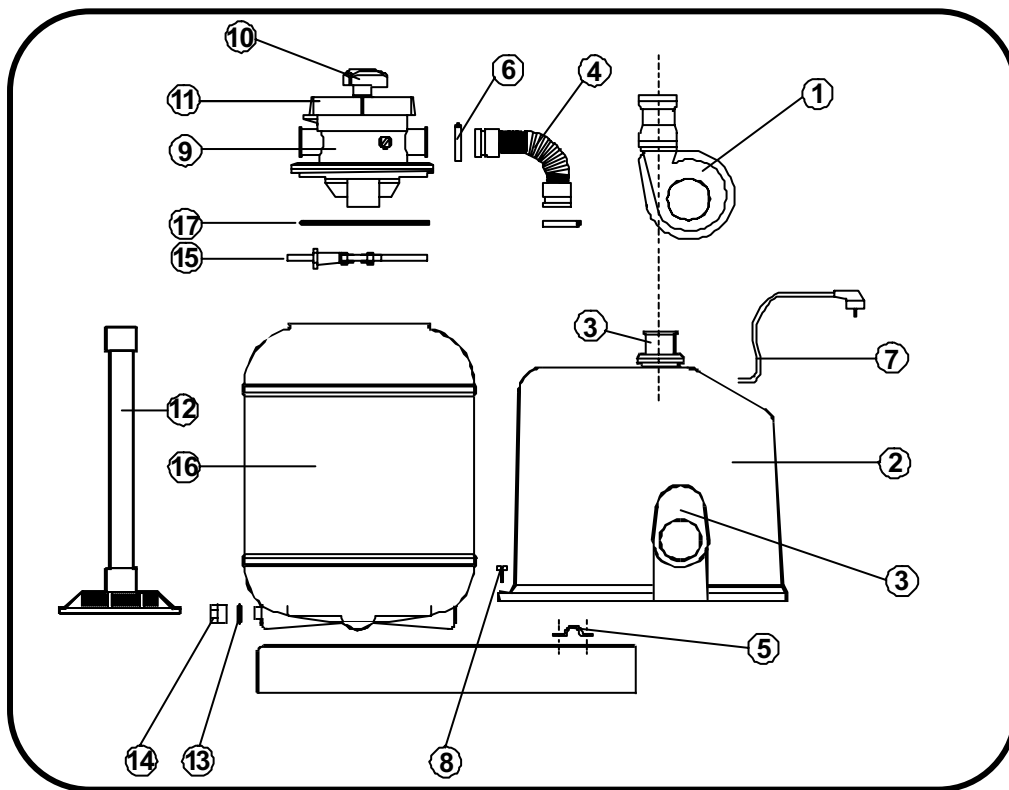
La vanne de sélection supérieure du filtre est chargée de sélectionner les différentes fonctions du filtre, au nombre de quatre : filtration (FILTER), lavage (BACKWASH), vidange (WASTE) et fermeture (CLOSED).

Mithilfe des oberen Wahlventils des Filters werden die vier verschiedenen Funktionen des Filters durchgeführt: Filtern (FILTER), Reinigen (BACKWASH), Entleeren (WASTE) und Schließen (CLOSED).

Mediante la valvola selezionatrice superiore del filtro si realizza la selezione delle quattro diverse funzioni del filtro: filtraggio (FILTER), lavaggio (BACKWASH), svuotamento (WASTE) e chiusura (CLOSED).

De bovenste wisselklep bedient de vier verschillende functies van het filter : zuiveren (FILTER), reinigen (BACKWASH), legen (WASTE) en sluiten (CLOSED).

Através da válvula selectora superior do filtro seleccionamos as 4 diferentes funções do filtro: filtração (FILTER), lavagem (BACKWASH), esvaziamento (WASTE) e fechamento (CLOSED).



N°	DESCRIPTION	N°	DESCRIPTION	N°	DESCRIPTION	N°	DESCRIPTION
1	Pump filter	6	Pipe cup	11	Valve lid	16	Filter
2	Protective housing	7	Cable	12	Collector	17	"O" ring
3	Ventilation cover	8	Screw \varnothing 3,9 DIN 7981	13	Drain plug seal		
4	Hose conection	9	Valve kit	14	Drain plug		
5	Fixing cup	10	Valve handle	15	Filter ring		

N°	DENOMINACIÓN	N°	DENOMINACIÓN	N°	DENOMINACIÓN	N°	DENOMINACIÓN
1	Conjunto bomba	6	Abrazadera	11	Tapa válvula	16	Filtro
2	Tapa monobloc	7	Cable conexión	12	Colector filtro	17	Junta tórica
3	Tapeta ventilación	8	Tornillo \varnothing 3,9 DIN 7981	13	Junta tapón vaciado		
4	Manguera conexión	9	Conjunto válvula	14	Tapón vaciado		
5	Grapa puente	10	Pomo válvula	15	Zuncho filtro		

N°	DESIGNATION	N°	DESIGNATION	N°	DESIGNATION	N°	DESIGNATION
1	Pompe	6	Collier de serrage	11	Couvecercle vanne	16	Filtre
2	Carcasse de protection	7	Cable électrique	12	Collecteur filtre	17	Joint torique
3	Couvecercle de ventilation	8	Vis \varnothing 3,9 DIN 7981	13	Joint du bouchon de vindage		
4	Raccord connexion	9	Vanne multivoie	14	Bouchon de vindage		
5	Prise électrique	10	Poignéé de vanne	15	Colier de fixation		

N°	BESCHREIBUNG	N°	BESCHREIBUNG	N°	BESCHREIBUNG	N°	BESCHREIBUNG
1	Pumpeneinheit	6	Spannschelle	11	Ventildeckel	16	Filter
2	Schutzhaude	7	Elektrokabel	12	Filterstern	17	O-Ring
3	Entlüftungsgitter	8	Schraube \varnothing 3,9 DIN 7981	13	Dichtung		
4	Verbindungsschlauch	9	Ventileinheit	14	Auslaufdeckel		
5	Halteklammer	10	Ventilgriff	15	Filterspannring		

N°	DENOMINAZIONE	N°	DENOMINAZIONE	N°	DENOMINAZIONE	N°	DENOMINAZIONE
1	Gruppo pompa	6	Fascetta	11	Coperchio valvola	16	Filtro
2	Carcassa di protezione	7	Cavo di collegamento	12	Collectore filtro	17	O-Ring
3	Coperchietto di ventilazione	8	Vite \varnothing 3,9 DIN 7981	13	O-ring di tappo di svuotamento		
4	Tubo di collegamento	9	Gruppo valvola	14	Tappo di svuotamento		
5	Grappa ponte	10	Pomello valvola	15	Ghiera filtro		

N°	BENAMING	N°	BENAMING	N°	BENAMING	N°	BENAMING
1	Pompeenheid	6	Klem	11	Ventieldeksel	16	Filter
2	Beschermende ombouw	7	Elektricitetskabel	12	Collector filter	17	O-Ring
3	Ventilatieafdekking	8	Schroef \varnothing 3,9 DIN 7981	13	Pakking		
4	aansluitingslang	9	Ventieleenheid	14	Leegdop		
5	Kabelklem	10	Ventielknop	15	Spanring filter		

N°	DESCRIÇÃO	N°	DESCRIÇÃO	N°	DESCRIÇÃO	N°	DESCRIÇÃO
1	Conjunto bomba	6	Braçadeira	11	Tampa de válvula	16	Filtro
2	Carcça de protecção	7	Cabo de ligação	12	Colecto filtro	17	O-Ring
3	Espelho de ventilação	8	Parauso \varnothing 3,9 DIN 7981	13	Junta tampa de esvaziamento		
4	Tubo de ligação	9	Conjunto valvula	14	Tampa de esvaziamento		
5	Gancho de fixação	10	Manipulo de valvula	15	Braçadeira filtro		

GUARANTEE CERTIFICATE

1 GENERAL TERMS

- 1.1 In accordance with these provisions, the seller guarantees that the UNISTRAL S.A.U. product corresponding to this guarantee ("the Product") is in perfect condition at the time of delivery.
- 1.2 The Guarantee Term for the Product is two (2) years from the time it is delivered to the purchaser.
- 1.3 In the event of any defect in the Product that is notified by the purchaser to the seller during the Guarantee Term, the seller will be obliged to repair or replace the Product, at his own cost and wherever he deems suitable, unless this is impossible or unreasonable.
- 1.4 If it is not possible to repair or replace the Product, the purchaser may ask for a proportional reduction in the price or, if the defect is sufficiently significant, the termination of the sales contract.
- 1.5 The replaced or repaired parts under this guarantee, will not extend the guarantee period of the original Product, but will have a separate guarantee.
- 1.6 In order for this guarantee to come into effect, the purchaser must provide proof of the date of purchase and delivery of the Product.
- 1.7 If, after six months from the delivery of the Product to the purchaser, he notifies a defect in the Product, the purchaser must provide proof of the origin and existence of the alleged defect.
- 1.8 This Guarantee Certificate is issued without prejudice to the rights corresponding to consumers under national regulations.

2 INDIVIDUAL TERMS

- 2.1 This guarantee covers the products referred to in this manual.
- 2.2 This Guarantee Certificate will only be applicable in European Union countries.
- 2.3 For this guarantee to be effective, the purchaser must strictly follow the Manufacturer's instructions included in the documentation provided with the Product, in cases where it is applicable according to the range and model of the Product.
- 2.4 When a time schedule is specified for the replacement, maintenance or cleaning of certain parts or components of the Product, the guarantee will only be valid if this time schedule has been followed.

3 LIMITATIONS

- 3.1 This guarantee will only be applicable to sales made to consumers, understanding by "consumer", a person who purchases the Product for purposes not related to his professional activities.
- 3.2 The normal wear resulting from using the product is not guaranteed. With respect to expendable or consumable parts, components and/or materials, such as batteries, light bulbs, etc. the stipulations in the documentation provided with the Product, will apply.
- 3.3 The guarantee does not cover those cases when the Product; (I) has been handled incorrectly; (II) has been repaired, serviced or handled by non-authorised people or (III) has been repaired or serviced not using original parts.
In cases where the defect of the Product is a result of incorrect installation or start-up, this guarantee will only apply when said installation or start-up is included in the sales contract of the Product and has been conducted by the seller or under his responsibility.

CERTIFICADO DE GARANTÍA

1 ASPECTOS GENERALES

- 1.1 De acuerdo con estas disposiciones, el vendedor garantiza que el producto UNISTRAL S.A.U. correspondiente a esta garantía ("el Producto") no presenta ninguna falta de conformidad en el momento de su entrega.
- 1.2 El Periodo de Garantía para el Producto es de dos (2) años y se calculará desde el momento de su entrega al comprador.
- 1.3 Si se produjera una falta de conformidad del Producto y el comprador lo notificase al vendedor durante el Periodo de Garantía, el vendedor deberá reparar o sustituir el Producto a su propio coste en el lugar donde considere oportuno, salvo que ello sea imposible o desproporcionado.
- 1.4 Cuando no se pueda reparar o sustituir el Producto, el comprador podrá solicitar una reducción proporcional del precio o, si la falta de conformidad es suficientemente importante, la resolución del contrato de venta.
- 1.5 Las partes sustituidas o reparadas en virtud de esta garantía no ampliarán el plazo de la garantía del Producto original, si bien dispondrán de su propia garantía.
- 1.6 Para la efectividad de la presente garantía, el comprador deberá acreditar la fecha de adquisición y entrega del Producto.
- 1.7 Cuando hayan transcurrido más de seis meses desde la entrega del Producto al comprador y éste alegue falta de conformidad de aquél, el comprador deberá acreditar el origen y la existencia del defecto alegado.
- 1.8 El presente Certificado de Garantía no limita o prejuzga los derechos que correspondan a los consumidores en virtud de normas nacionales de carácter imperativo.

2 CONDICIONES PARTICULARES

- 2.1 La presente garantía cubre los productos a que hace referencia este manual.
- 2.2 El presente Certificado de Garantía será de aplicación únicamente en los países de la Unión Europea.
- 2.3 Para la eficacia de esta garantía, el comprador deberá seguir estrictamente las indicaciones del Fabricante incluidas en la documentación que acompaña al Producto, cuando ésta resulte aplicable según la gama y modelo del Producto.
- 2.4 Cuando se especifique un calendario para la sustitución, mantenimiento o limpieza de ciertas piezas o componentes del Producto, la garantía sólo será válida cuando se haya seguido dicho calendario correctamente.

3 LIMITACIONES

- 3.1 La presente garantía únicamente será de aplicación en aquellas ventas realizadas a consumidores, entendiéndose por "consumidor", aquella persona que adquiere el Producto con fines que no entran en el ámbito de su actividad profesional.
- 3.2 No se otorga ninguna garantía respecto del normal desgaste por uso del producto. En relación con las piezas, componentes y/o materiales fungibles o consumibles como pilas, bombillas etc., se estará a lo dispuesto en la documentación que acompaña al Producto, en su caso.
- 3.3 La garantía no cubre aquellos casos en que el Producto: (I) haya sido objeto de un trato incorrecto; (II) haya sido reparado, mantenido o manipulado por persona no autorizada o (III) haya sido reparado o mantenido con piezas no originales.
Cuando la falta de conformidad del Producto sea consecuencia de una incorrecta instalación o puesta en marcha, la presente garantía sólo responderá cuando dicha instalación o puesta en marcha esté incluida en el contrato de compra-venta del Producto y haya sido realizada por el vendedor o bajo su responsabilidad.

CERTIFICAT DE GARANTIE

1 ASPECTS GÉNÉRAUX

- 1.1 Conformément à ces dispositions, le vendeur garantit que le produit UNISTRAL S.A.U. correspondant à cette garantie ("le Produit") ne présente aucun défaut de conformité à la date de sa livraison.
- 1.2 La Période de Garantie pour le Produit est de deux (2) ans et elle sera calculée à partir du moment de sa remise à l'acheteur.
- 1.3 S'il se produisait un défaut de conformité du Produit et si l'acheteur le notifiait au vendeur pendant la Période de Garantie, le vendeur devrait réparer ou remplacer le Produit à ses propres frais à l'endroit qu'il jugerait opportun, à moins que cela soit impossible ou disproportionné.
- 1.4 Lorsque le Produit ne pourra être ni réparé ni remplacé, l'acheteur pourra demander une réduction proportionnelle du prix ou, si le défaut de conformité est suffisamment important, la résolution du contrat de vente.
- 1.5 Les parties remplacées ou réparées en vertu de cette garantie n'élargiront pas le délai de la garantie du Produit original, celles-ci étant cependant couvertes par leur propre garantie.
- 1.6 Pour l'effectivité de la présente garantie, l'acheteur devra justifier la date d'acquisition et de remise du Produit.
- 1.7 Quand plus de six mois se seront écoulés depuis la remise du Produit à l'acheteur et que ce dernier alléguera un défaut de conformité de ce Produit, l'acheteur devra justifier l'origine et l'existence du défaut allégué.
- 1.8 Le présent Certificat de Garantie ne limite pas, ni préjuge les droits correspondant aux consommateurs en vertu des normes nationales de nature impérative.

2 CONDITIONS PARTICULIÈRES

- 2.1 La présente garantie couvre les produits auxquels ce manuel fait référence.
- 2.2 Le présent Certificat de Garantie ne sera applicable que dans les pays de l'Union européenne.
- 2.3 En vue de l'efficacité de cette garantie, l'acheteur devra suivre strictement les indications du Fabricant comprises dans la documentation qui est jointe au Produit, quand celle-ci sera applicable selon la gamme et le modèle du Produit.
- 2.4 Quand un calendrier sera spécifié pour le remplacement, la maintenance ou le nettoyage de certaines pièces ou de certains composants du Produit, la garantie sera valable uniquement lorsque ledit calendrier aura été suivi correctement.

3 LIMITATIONS

- 3.1 La présente garantie ne sera applicable que dans les ventes réalisées aux consommateurs, considérant comme "consommateur", toute personne qui achète le Produit à des fins qui n'entrent pas dans le cadre de son activité professionnelle.
- 3.2 Aucune garantie n'est concédée quant à l'usure normale due à l'utilisation du produit. En ce qui concerne les pièces, composants et/ou matériels fungibles ou consommables comme les piles, les ampoules, etc., il faudra respecter, le cas échéant, ce qui est stipulé dans la documentation qui est jointe au Produit.
- 3.3 La garantie ne couvre pas les cas où le Produit : (I) a fait l'objet d'un traitement incorrect ; (II) a été réparé, entretenu ou manipulé par une personne non autorisée ou (III) a été réparé ou entretenu avec des pièces n'étant pas d'origine.
Quand le défaut de conformité du Produit sera la conséquence d'une installation ou d'une mise en marche incorrectes, la présente garantie répondra uniquement lorsque ladite installation ou ladite mise en marche sera incluse dans le contrat d'achat et de vente du Produit et aura été réalisée par le vendeur ou sous sa responsabilité.

GARANTIEZERTIFIKAT

1 ALLGEMEINE GESICHTSPUNKTE

- 1.1 In Übereinstimmung mit diesen Verfügungen garantiert der Verkäufer, dass das Produkt UNISTRAL S.A.U. dieser Garantie ("das Produkt") entspricht und dass es im Moment der Übergabe in allen Punkten mit den Anforderungen übereinstimmt.
- 1.2 Der Garantiezeitraum für das Produkt beträgt zwei (2) Jahre und wird ab dem Augenblick der Lieferung an den Käufer gerechnet.
- 1.3 Falls ein Mangel am Produkt auftritt und der Käufer den Verkäufer innerhalb des Garantiezeitraums darüber unterrichtet, muss der Verkäufer das Produkt auf eigene Kosten dort reparieren oder ersetzen, wo es für ihn am günstigsten ist, es sei denn, dies ist unmöglich oder unverhältnismäßig.
- 1.4 Wenn das Produkt weder repariert noch ersetzt werden kann, kann der Käufer einen angemessenen Preisnachlass beantragen, oder, falls es sich um einen größeren Mangel handelt, die Auflösung des Kaufvertrages.
- 1.5 Die Teile, die aufgrund dieser Garantie ersetzt oder repariert werden, verlängern den Garantiezeitraum für das Originalprodukt nicht. Jedoch existiert für diese Teile eine eigene Garantie.
- 1.6 Um die vorliegende Garantie wirksam werden zu lassen, muss der Käufer das Kaufdatum und das Lieferdatum des Produktes belegen.
- 1.7 Nach Ablauf von sechs Monaten ab Lieferung des Produktes an den Käufer muss, im Falle eines Mangels, der Käufer den Ursprung und das Vorhandensein des angegebenen Mangels belegen.
- 1.8 Das vorliegende Garantiezertifikat schränkt die Rechte, die der Verbraucher aufgrund der herrschenden, nationalen Gesetzgebung hat, nicht ein.

2 SONDERBEDINGUNGEN

- 2.1 Die vorliegende Garantie gilt für die Produkte, auf die sich dieses Handbuch bezieht.
- 2.2 Das vorliegende Garantiezertifikat ist nur in den Ländern der Europäischen Gemeinschaft anwendbar.
- 2.3 Diese Garantie gilt nur, wenn der Käufer alle Anweisungen des Herstellers, die in der produktbegleitenden Dokumentation enthalten und für die jeweilige Produktlinie und Modell anwendbar ist, streng einhält.
- 2.4 Wenn ein Zeitplan für den Austausch von Teilen, die Instandhaltung und Reinigung bestimmter Teile oder Produktkomponenten aufgestellt wurde, gilt die Garantie nur dann, wenn dieser Zeitplan korrekt eingehalten wurde.

3 EINSCHRÄNKUNGEN

- 3.1 Die vorliegende Garantie ist nur auf Verkäufe an Verbraucher anwendbar. "Verbraucher" sind alle Personen, die dieses Produkt zu privaten Zwecken erwerben.
- 3.2 Es wird keine Garantie für die normale Abnutzung durch den Gebrauch des Produktes gewährt. Informationen über Teile, Komponenten und/oder verschleißbare Materialien oder Verbrauchsgüter oder Batterien, Glühlampen etc. finden Sie in der Dokumentation, die das jeweilige Produkt begleitet.
- 3.3 In folgenden Fällen gilt die Garantie nicht: (I) Das Produkt wurde nicht korrekt benutzt; (II) das Produkt wurde von nicht autorisierten Personen repariert, instandgehalten oder bedient oder (III) das Produkt wurde mit nicht originalen Ersatzteilen repariert oder instandgehalten.
Wenn der Mangel auf eine falsche Installation oder Inbetriebnahme zurückzuführen ist, gilt die vorliegende Garantie nur, wenn diese Installation oder Inbetriebnahme in den Kaufvertrag des Produktes eingeschlossen war, und von dem Verkäufer oder auf dessen Verantwortung durchgeführt wurde.

CERTIFICATO DI GARANZIA

1 ASPETTI GENERALI

- 1.1 Ai sensi delle seguenti disposizioni, il venditore garantisce che il prodotto UNISTRAL S.A.U. corrispondente a questa garanzia ("il Prodotto") non presenta alcun difetto di conformità al momento della sua consegna.
- 1.2 Il Periodo di Garanzia per il Prodotto è di due (2) anni a decorrere dal momento della consegna dello stesso all'acquirente.
- 1.3 Nel caso in cui si venisse a produrre un difetto di conformità del Prodotto e l'acquirente lo notificasse al venditore entro il Periodo di Garanzia, il venditore dovrà riparare o sostituire il Prodotto a sue spese nel luogo che consideri opportuno, salvo che ciò risulti impossibile o sproporzionato.
- 1.4 Qualora non fosse possibile riparare o sostituire il Prodotto, l'acquirente potrà richiedere una riduzione proporzionale del prezzo o, nel caso in cui il difetto di conformità fosse sufficientemente importante, lo scioglimento del contratto di vendita.
- 1.5 Le parti sostituite o riparate in virtù della presente garanzia non rappresenteranno un prolungamento della scadenza della garanzia del Prodotto originale, quantunque dispongano di una loro propria garanzia.
- 1.6 Affinché la presente possa essere valida, l'acquirente dovrà attestare la data di acquisto e consegna di del Prodotto.
- 1.7 Una volta trascorsi più di sei mesi dalla consegna del Prodotto all'acquirente, qualora quest'ultimo dichiari un difetto di conformità del medesimo, l'acquirente dovrà attestare l'origine e l'esistenza del difetto dichiarato.
- 1.8 Il presente Certificato di Garanzia non limita o preclude i diritti che corrispondano ai consumatori in virtù delle norme nazionali di carattere imperativo.

2 CONDIZIONI PARTICOLARI

- 2.1 La presente garanzia copre i prodotti ai quali si riferisce questo manuale.
- 2.2 Il presente Certificato di Garanzia avrà vigore unicamente nell'ambito dei paesi dell'Unione Europea.
- 2.3 Per la validità di questa garanzia, l'acquirente dovrà rispettare in maniera rigorosa le indicazioni del Fabbricante indicate nella documentazione che viene allegata al Prodotto, quando questa risulti applicabile secondo la gamma e il modello del Prodotto.
- 2.4 Nel caso in cui venga specificato un calendario per la sostituzione, la manutenzione o la pulizia di determinati pezzi o componenti del Prodotto, la garanzia sarà valida solo quando qualora detto calendario sia stato rispettato in maniera corretta.

3 LIMITAZIONI

- 3.1 La presente garanzia sarà valida unicamente per le vendite realizzate a consumatori, laddove per "consumatori" s'intende quella persona che acquista il Prodotto con scopi che non rientrano nell'ambito della sua attività professionale.
- 3.2 Non viene concessa alcuna garanzia nei riguardi del normale consumo per uso del prodotto. In merito ai pezzi, ai componenti e/o ai materiali fusibili o consumabili come pile, lampadine, ecc., ove sussista si applicherà quanto disposto nella documentazione che è allegata al Prodotto.
- 3.3 La garanzia non copre i casi in cui il Prodotto: (I) sia stato oggetto di un uso non corretto; (II) sia stato riparato, manipolato o la manutenzione sia stata effettuata da una persona non autorizzata o (III) sia stato riparato o la manutenzione sia stata effettuata con pezzi non originali.
Qualora il difetto di conformità del Prodotto sia conseguenza di una installazione o messa in marcia non corretta, la presente garanzia risponderà solo nel caso in cui la suddetta installazione o messa in marcia sia compresa nel contratto di compravendita del Prodotto e sia stata realizzata dal venditore o sotto la sua responsabilità.

1.1

GARANTIECERTIFIKAAT

1 ALGEMENE ASPEKTEN

- 1.2 In overeenkomst met de voorliggende bepalingen wordt door de verkoper gegarandeerd dat het produkt UNISTRAL S.A.U. verkocht onder deze garantie ("het Produkt") geen enkel defekt vertoont op het moment van levering.
- 1.3 De Garantieperiode voor het Produkt bedraagt twee (2) jaar en is geldig vanaf het moment dat het Produkt aan de koper geleverd wordt.
- 1.4 Indien er zich een defekt aan het Produkt zou voordoen en de koper dit zou mededelen aan de verkoper gedurende de geldige Garantieperiode, dan zal de verkoper het Produkt repareren of laten repareren op zijn eigen kosten alwaar de verkoper dit geschikt zou achten, behalve in het geval dat dit onmogelijk of buitensporig zou zijn.
- 1.5 Indien het Produkt niet gerepareerd of vervangen kan worden, dan kan de koper na verhouding prijsreductie aanvragen, of, indien het defekt belangrijk genoeg is, de ontbinding van het verkoopcontract aanvragen.
- 1.6 Die delen van het Produkt die onder deze Garantie vervangen of gerepareerd zijn, kunnen de duur van de Garantieperiode voor het oorspronkelijke Produkt niet verlengen, maar zullen beschikken over een eigen garantie.
- 1.7 Voor de toepassing van deze garantie moet de koper de aankoopdatum en de levering van het Produkt kunnen aantonen.
- 1.8 Indien er meer dan zes maanden verlopen zijn sinds de levering van het Produkt aan de koper, en deze plotseling aangeeft dat het Produkt niet aan de eisen voldoet, dan zal de koper de oorsprong en het bestaan van de volgens hem bestaande defecten moeten kunnen aantonen.
- 1.9 Dit Garantiecertificaat beperkt of veroordeelt niet bij voorbaat de rechten die de gebruikers hebben en die gebaseerd zijn op nationale normen.

2 BIJZONDERE VOORWAARDEN

- 2.1 Deze garantie dekt de produkten waarnaar deze handleiding verwijst.
- 2.2 Het huidige Garantiecertificaat is slechts van toepassing in landen van de Europese Unie.
- 2.3 Voor de toepassing van deze garantie en in geval deze garantie van toepassing is al naar gelang de serie en het model van het Produkt, moet de koper de aanwijzingen van de Fabrikant in de documenten die bij het Produkt bijgesloten zijn, strikt opvolgen.
- 2.4 Indien er een tijdsperiode vastgesteld wordt voor de vervanging, het onderhoud of het reinigen van verschillende delen of onderdelen van het Produkt, dan is de garantie alleen geldig in geval deze tijdsperiode strikt aangehouden is.

3 BEPERKINGEN

- 3.1 De huidige garantie is uitsluitend geldig bij verkoop aan gebruikers, waarbij onder "gebruiker" verstaan wordt een persoon die het Produkt aanschaft met een doel dat niet binnen het gebied van zijn professionele activiteiten valt.
- 3.2 Er bestaat geen garantie in verband met normale slijtage bij gebruik van het Produkt. Wat betreft de delen, componenten en/of vervangbare of verbruiksmaterialen zoals batterijen, gloeilampen, enz. zal men zich moeten richten naar hetgeen in de documenten staat die het Produkt vergezellen.
- 3.3 De garantie dekt niet de gevallen waarbij het Produkt (i) onderhevig is geweest aan ongepast gebruik, (ii) gerepareerd, onderhouden of gemanipuleerd is door een persoon die daarvoor geen toestemming heeft, of (iii) gerepareerd of onderhouden is met niet oorspronkelijke onderdelen. Indien het defekt van het Produkt het gevolg is van een incorrecte installering of ingebruikneming, dan is deze garantie slechts van toepassing indien de installering of ingebruikneming in kwestie in het contract van koop en verkoop van het produkt opgenomen is en door de verkoper of onder diens verantwoording uitgevoerd is.

CERTIFICADO DE GARANTIA

1 CONDIÇÕES GERAIS

- 1.1 De acordo com estas disposições, o vendedor garante que, no momento da entrega, o produto UNISTRAL S.A.U. correspondente a esta garantia ("o Produto") não apresenta nenhum tipo de falta de conformidade.
- 1.2 O Período de Garantia para o Produto é de dois (2) anos, contados a partir da data de entrega ao comprador.
- 1.3 Se, durante o período de garantia, o comprador notificar ao vendedor alguma falta de conformidade do Produto, o vendedor deverá reparar ou substituir o Produto por sua conta no lugar onde considerar conveniente, salvo que isso seja impossível ou desmesurado.
- 1.4 Quando não for possível reparar ou substituir o Produto, o comprador poderá solicitar uma redução proporcional do preço ou, se a falta de conformidade for o suficientemente grave, a rescisão do contrato de venda.
- 1.5 As partes substituídas ou reparadas em virtude desta garantia não ampliarão o período de garantia do Produto original, mas disporão da sua própria garantia.
- 1.6 Para que a presente garantia tenha efeito, o comprador deverá apresentar o comprovante da data de compra e de entrega do Produto.
- 1.7 Se o comprador alegar uma falta de conformidade do Produto, passados mais de seis meses da data de entrega do mesmo, deverá demonstrar a origem e a existência do defeito alegado.
- 1.8 O presente Certificado de Garantia não limita nem afecta os direitos dos consumidores derivados das normas nacionais de carácter imperativo.

2 CONDIÇÕES PARTICULARES

- 2.1 A presente garantia cobre os produtos descritos neste manual.
- 2.2 O presente Certificado de Garantia só será válido nos países da União Europeia.
- 2.3 Para a eficácia desta garantia, o comprador deverá seguir rigorosamente as indicações do Fabricante contidas na documentação fornecida com o Produto, quando a mesma for aplicável em função da gama e do modelo do Produto.
- 2.4 No caso de se estabelecer um calendário para a substituição, manutenção ou limpeza de determinadas peças ou componentes do Produto, a garantia só será válida se o citado calendário tiver sido cumprido rigorosamente.

3 LIMITAÇÕES

- 3.1 A presente garantia só será válida para as vendas realizadas a consumidores, entendendo-se por "consumidor" a pessoa que comprar o Produto com fins não abrangidos no âmbito da sua actividade profissional.
- 3.2 A garantia não cobre o desgaste normal derivado do uso do produto. Em relação às peças, componentes e/ou materiais fungíveis ou consumíveis como pilhas, lâmpadas, etc., terá efeito o disposto na documentação fornecida com o Produto, em cada caso.
- 3.3 Esta garantia não abrange as seguintes situações: (I) Se o Produto tiver sido objecto de um uso incorrecto; (II) tiver sido reparado, sofrido manutenção ou manipulado por pessoas não autorizadas ou (III) tiver sido reparado ou as suas peças substituídas por peças não originais.
Quando a falta de conformidade do Produto for consequência de uma instalação ou colocação em funcionamento incorrecta, a presente garantia só será válida se a referida instalação ou colocação em funcionamento estiver incluída no contrato de compra-venda do Produto e tiver sido realizada pelo vendedor ou sob sua responsabilidade.

E	PRODUCTOS:	NL	PRODUKTEN:
GB	PRODUCTS:	S	PRODUKTER:
D	PRODUKTE:	N	PRODUKTER:
F	PRODUITS:	DK	PRODUKTER:
I	PRODOTTI:	SF	TOUTTEET:
P	PRODUTOS:	GR	??????:

MONOBLOC - FILTER ? 300 CON VÁLVULA 1-1/4"

DECLARACION DE CONFORMIDAD

Los productos arriba enumerados se hallan conformes con: Directiva de seguridad de máquinas 89/392/CEE, Directiva de compatibilidad electromagnética 89/336/CEE, y sus modificaciones. Directiva de equipos de baja tensión 73/23/CEE, Normativa Europea EN 60335-2-41.

CONFORMITEITSVERKLARING

Bovenstaande produkten voldoen aan de veiligheidsvoorschriften van de Richtlijn 89/392/EEG voor Machines, de Richtlijn 89/336/EEG voor electromagnetische verenigbaarheid, de Richtlijn 73/23/EEG voor laagspanning en aan de Europese Standaard EN 60335-2-41.

DECLARATION OF CONFORMITY

The products listed above are in compliance with the safety prescriptions of the Machinery Directive 89/392/EEC, Electromagnetic Compatibility Directive 89/336/EEC and its modifications, Low Voltage Directive 73/23/EEC and the European Standard EN 60335-2-41.

FÖRSÄKRAN OM ÖVERENSSTÄMMELSE

Ovanstående produkter är i överensstämmelse med villkoren i maskindirektiv 89/392/EU, direktiv för elektromagnetisk spänning 89/336/CEE och dess modifikationer, lågspänningsdirektiv EU/73/23 samt europeisk standard EN 60335-2-41.

KONFORMITÄTSEKTLÄRUNG

Die oben angeführten Produkte entsprechen den Sicherheitsbestimmungen der Maschinenrichtlinien 89/392/EG, der Richtlinie der elektromagnetischen Kompatibilität 89/336/CEE und deren Änderungen, der Niederspannungs-Richtlinien 73/23/EG und der europäischen Vorschrift EN 60335-2-41.

KONFORMITETSERKLÆRING

Ovennevnte produkter oppfyller sikkerhetskravene i Direktiv for maskiner 89/392/CEE, Direktiv for elektromagnetisk kompatibilitet 89/336/CEE med endringer. Direktiv for lavspenningsapparater 73/23/CEE. Europeisk standard EN 60335-2-41.

DÉCLARATION DE CONFORMITÉ

Les produits énumérés ci-dessus sont conformes aux prescriptions de sécurité de la Directive Machines 89/392/CEE, de la Directive de compatibilité électromagnétique 89/336/CEE, et ses modifications, de la Directive Appareils Basse Tension 73/23/CEE et à la Norme Européenne EN 60335-2-41.

OVERENSSTEMMELSESERKLÆRING

Ovenstående produkter oppfyller bestemmelseerne i Sikkerhedsdirektiv for maskineri 89/392/EØF, Direktiv for elektromagnetisk forenelighed 89/336/EØF og dets ændringer, Direktiv for lavspænding 73/23/EØF samt europæisk standard EN 60335-2-41.

DICHIARAZIONE DI CONFORMITÀ

I prodotti su elencati sono conformi al quanto segue: Direttiva di Sicurezza della Macchine 89/392/CEE, Direttiva di Compatibilità Elettromagnetica 89/336/CEE e relative modifiche, Direttiva Bassa Tensione 73/23/CEE, Norma europea EN 60335-2-41.

VAATIMUSTENMUKAISUUSVAKUUTUS

Yllämainitut tuotteet täyttävät EU:n konedirektiivin 89/392/ETY, sähkömagneettisten laitteiden yhteensopivuusdirektiivin (EMC) 89/336/ETY ja siihen liittyvät muutokset, pienjännitedirektiivin 73/23/ETY, sekä eurooppalaiset standardit EN 60335-2-41.

DECLARAÇÃO DE CONFORMIDADE

Os produtos da lista acima estão conformes as: Directiva de segurança de máquinas 89/392/CEE, Directiva de compatibilidade electromagnética 89/336/CEE e respectivas modificações, Directiva de Baixa Tensão 73/23/CEE, Norma europeia EN 60335-2-41.

????OS? S????????????S

?a pa?ap??? p?????ta e??a? s?µf ? ?a µe t??: ?d???a pe?? asfa?e?a? µ??a??µ?t?? 89/392/???, ?d???a pe?? ??e?t??µa??t????? s?µβat?t?ta? 89/336/???, ?a? ?? a??a??? t???. ?d???a pe?? s?s?e??? ?aµ???? t?s?? 73/23/???, ?a??? ????pa??? ?a????s µ? ?? 60335-2-41.

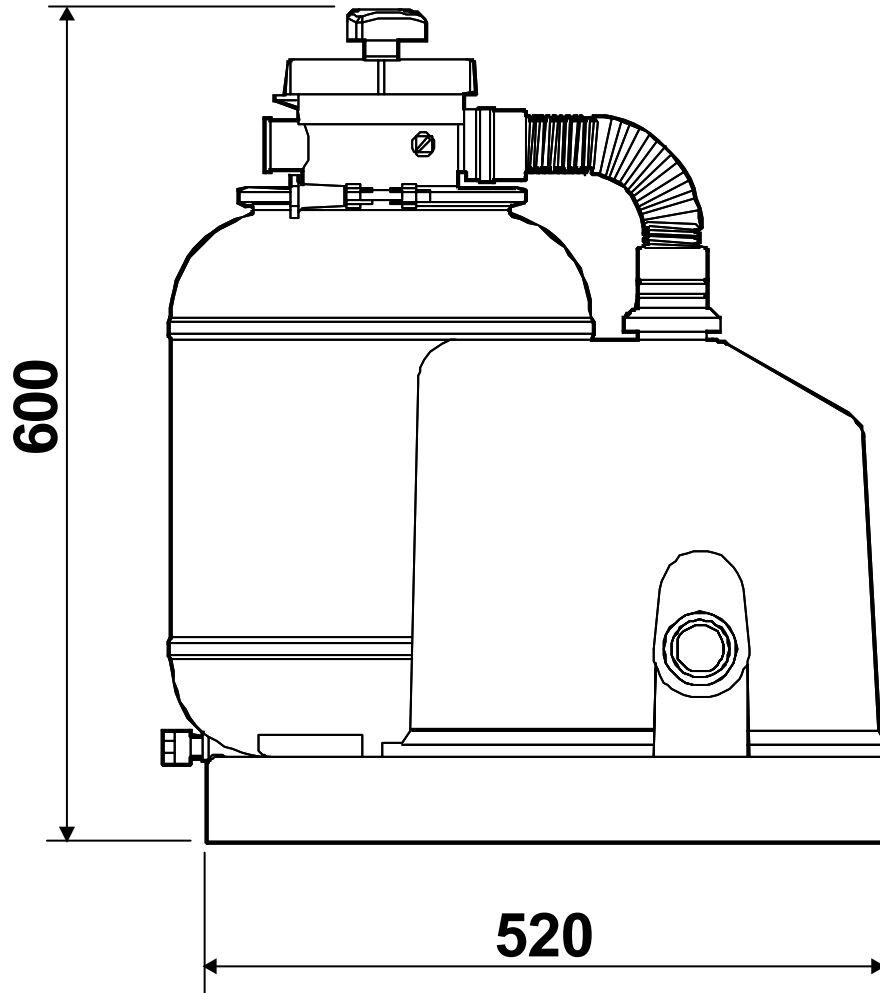
Firma / Cargo:
Signature / Qualification:
Unterschrift / Qualifizierung:
Signature / Qualification:
Firma / Qualifica:
Assinatura / Título:

Handtekening / Hoedanigheid:
Namnteckning / Befattning:
Underskrift / Stilling:
Signatur / Tilstand:
Allekirjoitus / Virka-asema:
????? ???? ? ? ? ? ?

Alfred Cairó(Resp. Gestión)

03-11-2003

- ? TECHNICAL CHARACTERISTICS
- ? CARACTERISTICAS TECNICAS
- ? CARACTERISTIQUES TECHNIQUES
- ? TECHNISCHE ANGABEN
- ? DATI TECNICI
- ? TECHNISCHE GEGEVENS
- ? CARACTERISTICAS TECNICAS



Flow rate / Caudal / Débit / Durchflubmenge / Portata / Debiet / Caudal	3,5 m ³ /h.
Filtering speed / Velocidad de filtración / Vitesse de filtrage / Filtriergeschwindigkeit / Velocità filtrazione / Filtersnelheid / Velocidade de filtragem	50 m ³ /m ² /h
? Filter / ? Filtre / ? Filtro / ? Filtro / ? Sandfilter / ? Sandfilter / ? Filtro	300 mm
Potency / Potencia / Puissance / Stromstärke / Potenza / Vermogen / Potência	1/3 CV
Voltage / Voltaje / Voltage / Spannung / Voltaggio / Voltagem / Voltage	230 V 50 Hz
Sand / Arena / Sable / Sand / Sabbia / Zand / Areia	25 Kg
Grain size / Granulometría / Granulométrie / Körnung / Granulometria / Korrelgroottemeting / Granulometria	0,4-0,8 mm.

WE RESERVE THE RIGHT TO CHANGE ALL OF PART OF THE FEATURES OF THE ARTICLES OR CONTENTS OF THIS DOCUMENT, WITHOUT PRIOR NOTICE.

NOS RESERVAMOS EL DERECHO DE CAMBIAR TOTAL O PARCIALMENTE LAS CARACTERÍSTICAS DE NUESTROS ARTICULOS O CONTENIDO DE ESTE DOCUMENTO SIN PREVIO AVISO

NOUS NOUS RÉSERVONS LE DROIT DE MODIFIER TOTALEMENT ORU EN PARTIE LES CARACTERISTIQUES DE NOS ARTICLES OU LE CONTENU DE CE DOCUMENT SAN PRÉÉ AVIS

WIR BEHALTEN UNS DAS RECHT VOR DIE EIGENSCHAFTEN UNSERER PRODUKTE ODER DEN INHALT DIESES PROSPECTES TELWEISE ODER WOLLSTANDING, OHNE VORHERIGE BENACHTIGUNG SU ANDEM

CI RISERVAMO IL DIRITTO DI CAMBIARE TOTALEMENTE O PARZIALMENTE LE CARATTERISTICHE TECNICHE DEI NOSTRI PRODOTTI ED IL CONTENUTO DI QUESTO DOCUMENTO SENZA NESSUM PREAVVISO

WIJ BEHOUDEN ONS HET RECHT VOOR GEHEEL OF GEDEELTELJK DE KENMERKEN VAN ONZE ARTIKELN EN DE INHOUK VAN DEZE HANDLEIDING ZONDER VOORAFGAAND BERICHT TE WIJZIGEN

RESERVAMO-NOS NO DEREITO DE ALTERAR, TOTAL OU PARCIALMENTE AS CARACTERÍSTICAS DOS NOSSOS ARTIGOS OU O CONTÉUDO DESTA DOCUMENTO SEM AVISO PRÉVIO

DISTRIBUIDO POR :

FABRICADO POR : C.I.F. A-58844010