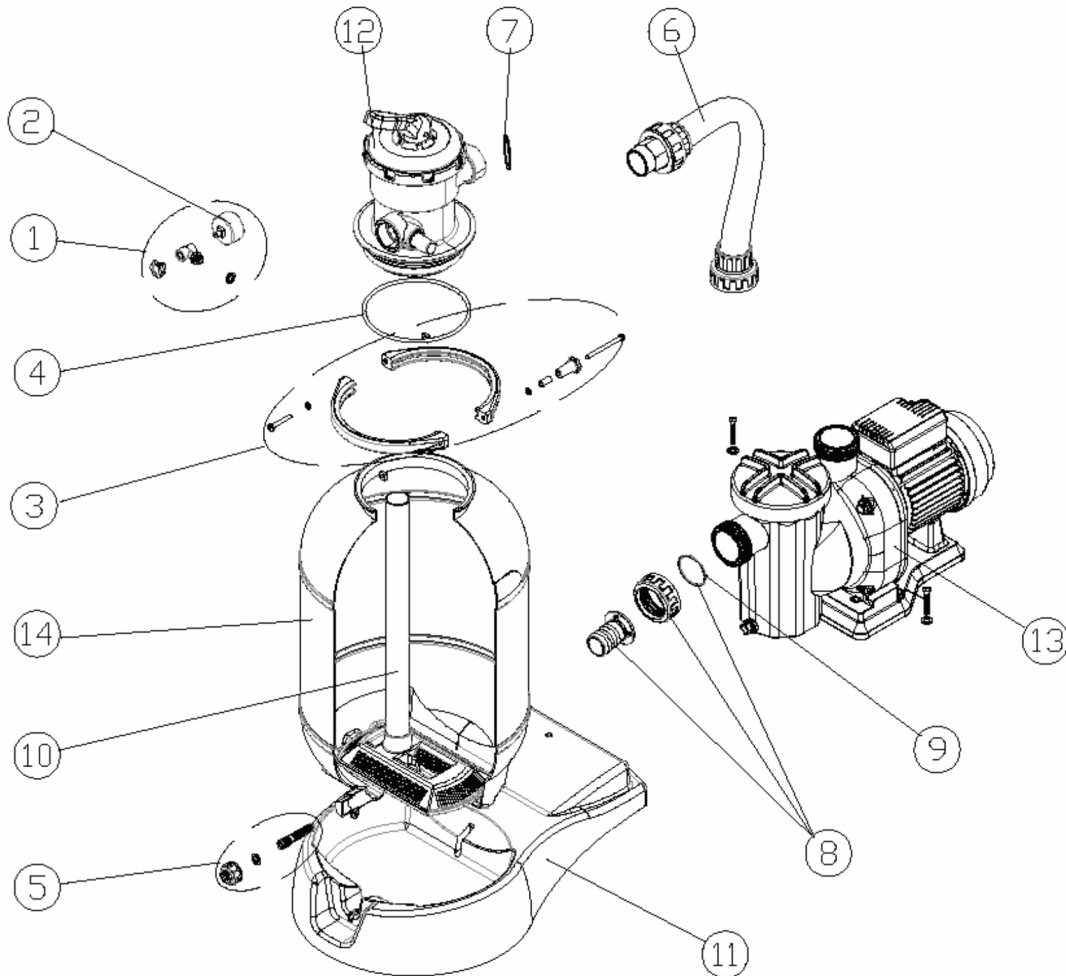


CODE **25449**

BESCHREIBUNG: **MONOBLOCK-FILTER**

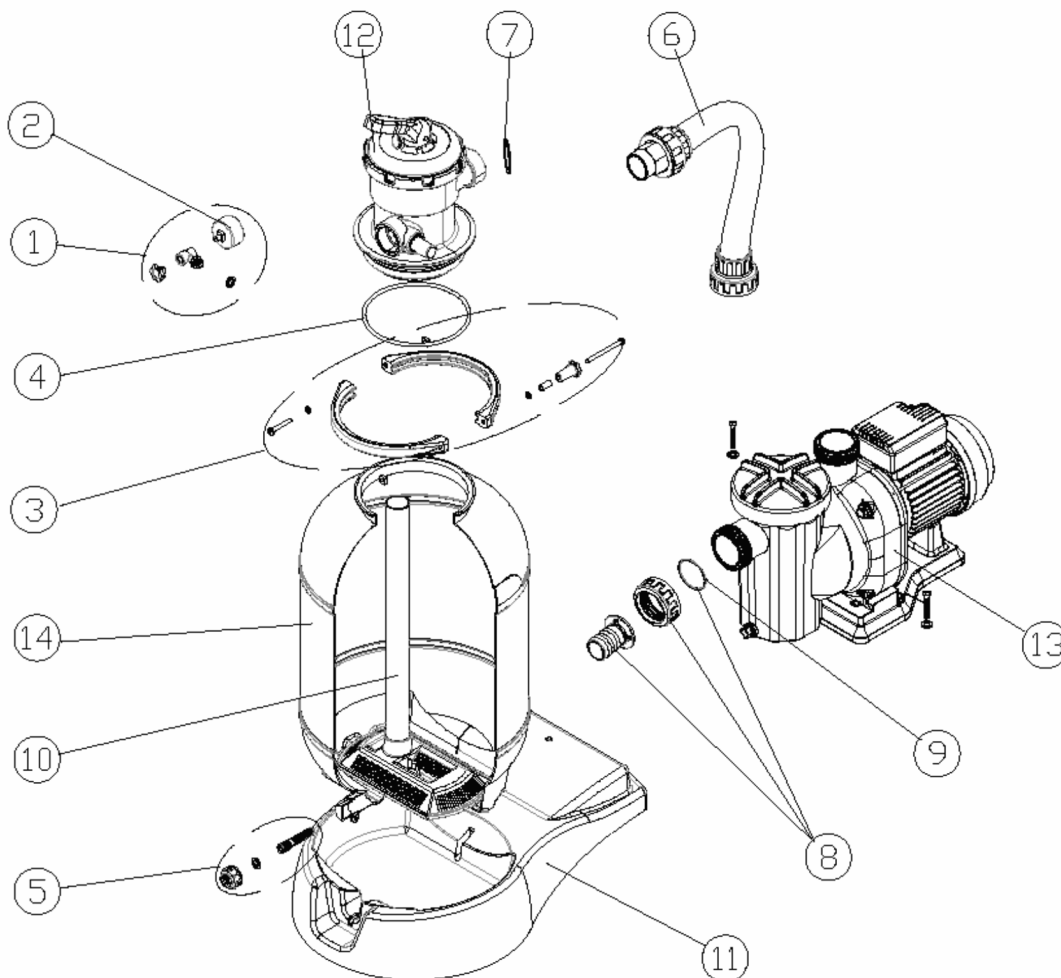


DEUTSCHE

POS	CODE	BESCHREIBUNG	POS	CODE	BESCHREIBUNG
1	4404080104	MANOMETER + ENTLÜFTUNG	8	4404250001	SCHLAUCHVERBINDUNG D. 38
2	4404010103	MANOMETER 1/8" 3 KG./CM	9	4405010438	O-RING D 54x2,5
3	4411020402	PLASTIK KLAMMEREINSATZ	10	4411020205	UNTERER WASSERVERTEILER D-380
4	4404080101	O-RING DECKEL FILTER APLISTER/CORONA	11	4404300407	BASIS (GEFORMT) D. 380
5	4404220103	SAND ENTLERUNG	12	21341	SECHS-FUNKTIONS-WECHSELVENTIL
6	4404250000	VERBINDUNGSSCHLAUCH	13	25461	SENA-PUMPE
7	4404120000	FLACHDICHTUNG	14	27429R0002RTZ	FLTERKÖRPER D. 380

CODE **25449**

DESCRIPTION: **MONOBLOC FILTER**

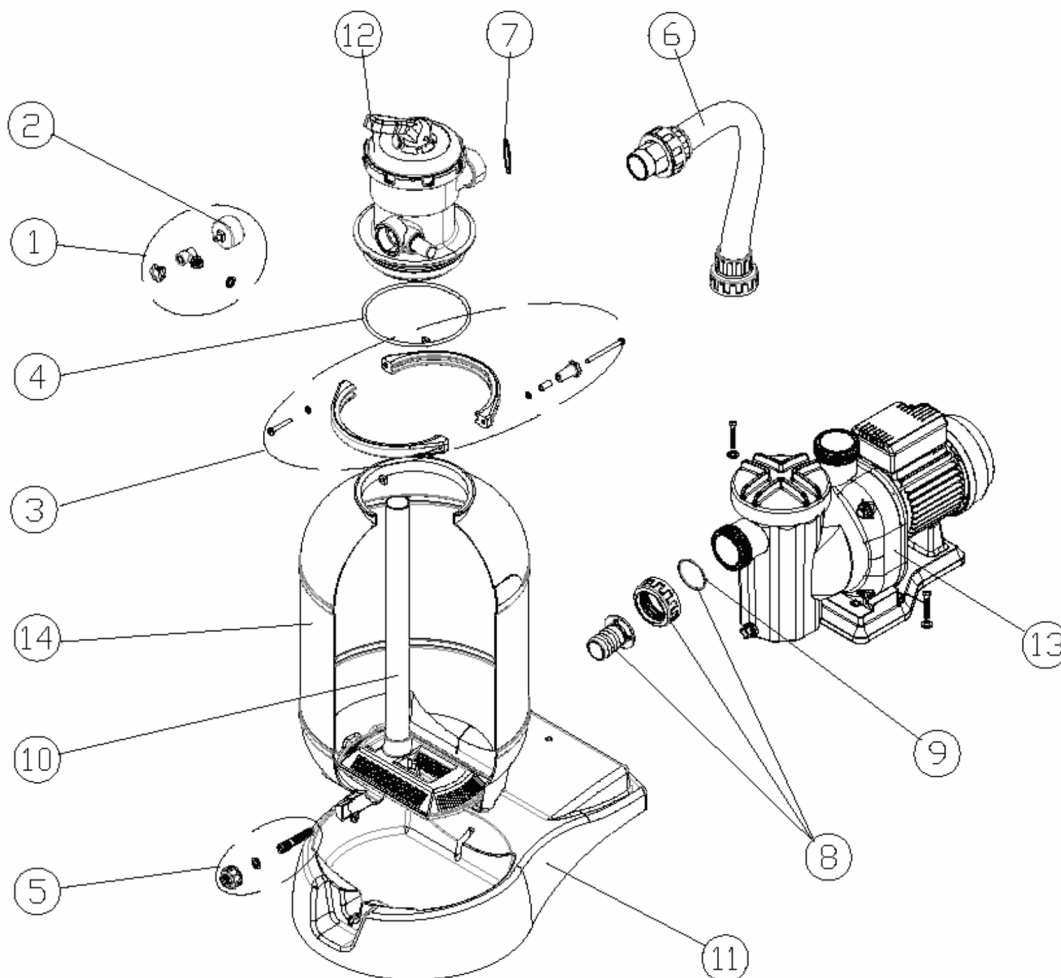


ENGLISH

POS	CODE	DESCRIPTION	POS	CODE	DESCRIPTION
1	4404080104	COMPLETE PRESSURE GAUGE UNIT	8	4404250001	UNION D. 38
2	4404010103	PRESSURE GAUGE 1/8" 3 KG./CM	9	4405010438	'O' RING D 54x2.5
3	4411020402	PLASTIC V-CLAMP SET	10	4411020205	MANIFOLD ASSEMBLY D. 380
4	4404080101	LID 'O' RING	11	4404300407	BASE (MOLDED) D. 380
5	4404220103	SAND PURGE	12	21341	VALVE
6	4404250000	CONNECTION HOSE	13	25461	SENA PUMP
7	4404120000	FLAT GASKET	14	27429R0002RTZ	FILTER BODY D. 380

CODIGO **25449**

DESCRIPCION: **MONOBLOC D. 380**

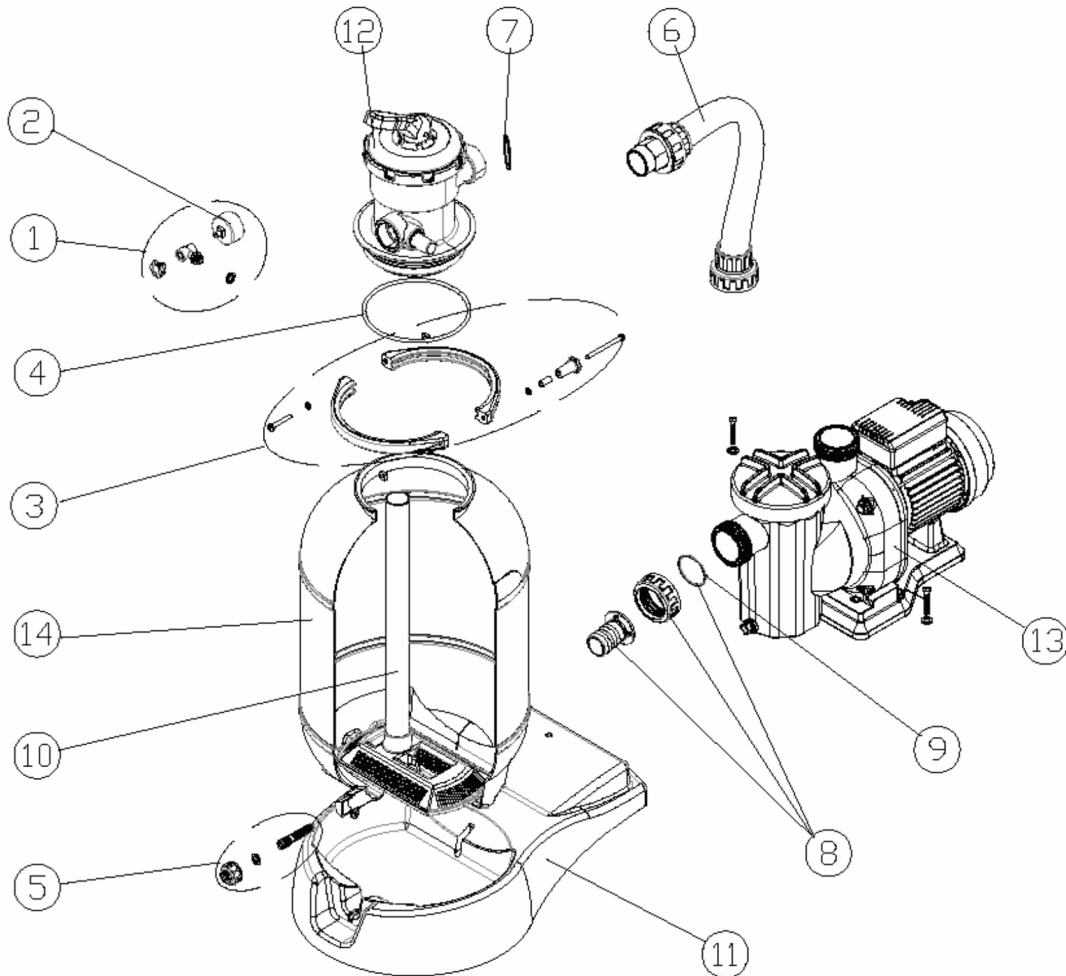


ESPAÑOL

POS	CODIGO	DESCRIPCION	POS	CODIGO	DESCRIPCION
1	4404080104	MANOMETRO COMPLETO	8	4404250001	MACHO UNION D. 38
2	4404010103	MANOMETRO 1/8" 3 KG./CM	9	4405010438	JUNTA TORICA D. 54x2,5
3	4411020402	ZUNCHO PLASTICO	10	4411020205	CJTO. COLECTOR D. 380
4	4404080101	JUNTA TORICA TAPA	11	4404300407	BASE INYECTADA D. 380
5	4404220103	PURGA ARENA	12	21341	VALVULA SELECTORA 6 VIAS
6	4404250000	MANGUERA CONEXION	13	25461	MOMBA SENA 1/3 CV.
7	4404120000	JUNTA PLANA 1 1/2"	14	27429R0002RTZ	CUERPO FILTRO D. 380

CODE **25449**

DESCRIPTION: **FILTRE MONOBLOC**

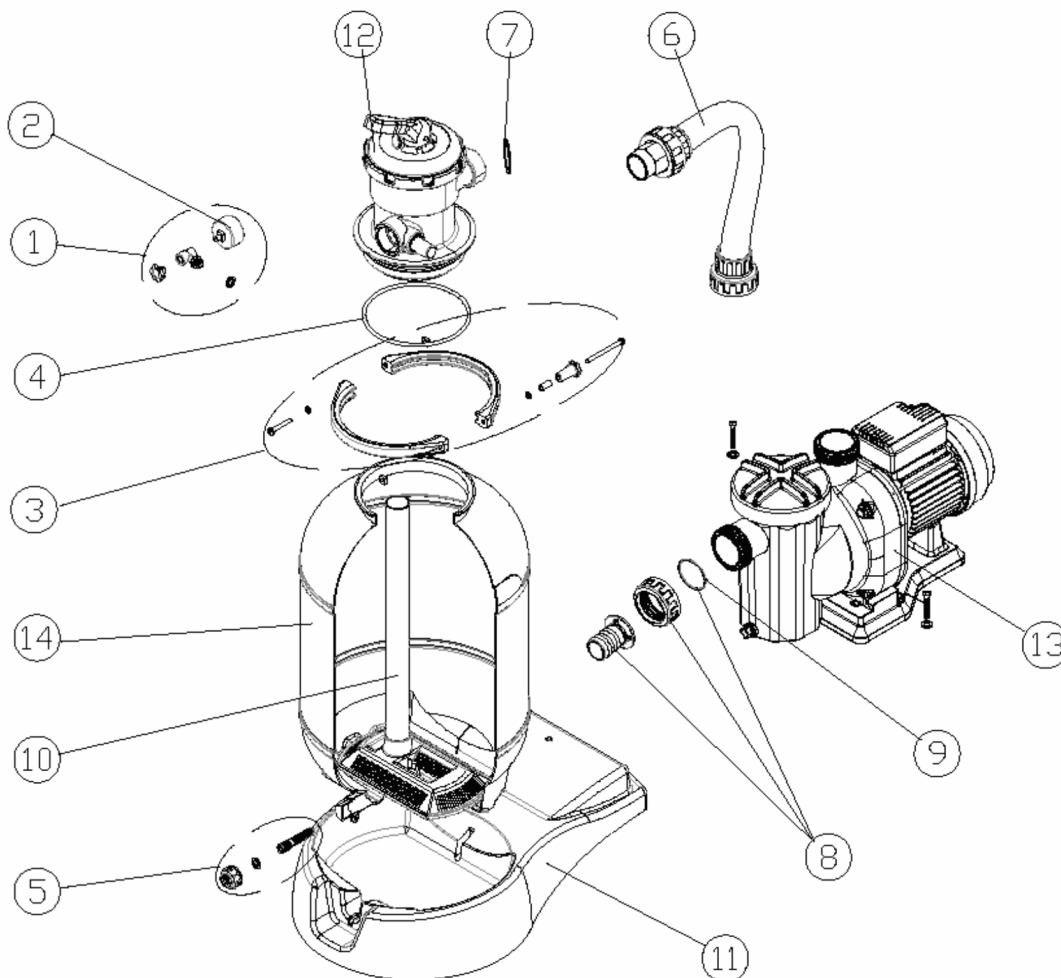


FRANCAIS

POS	CODE	DESCRIPTION	POS	CODE	DESCRIPTION
1	4404080104	MANOMETRE COMPLET	8	4404250001	MACHON UNION D. 38
2	4404010103	MANOMETRE 1/8" 3 KG./CM	9	4405010438	JOINT TORIQUE D 54x2,5
3	4411020402	ENSEMBLE COLLIER EN PLASTIC	10	4411020205	ENSEMBLE COLLECTEUR D. 380
4	4404080101	JOINT TORIQUE COUVERCLE	11	4404300407	BASE INJECTÉE D. 380
5	4404220103	PURGE SABLE	12	21341	VANNE 6 FONCTIONS
6	4404250000	TUYAU DE CONNEXION	13	25461	POMPE SENA
7	4404120000	JOINT PLAT	14	27429R0002RTZ	FILTRE D. 380

CODICE **25449**

DESCRIZIONE: **FILTRO MONOBLOCCO**

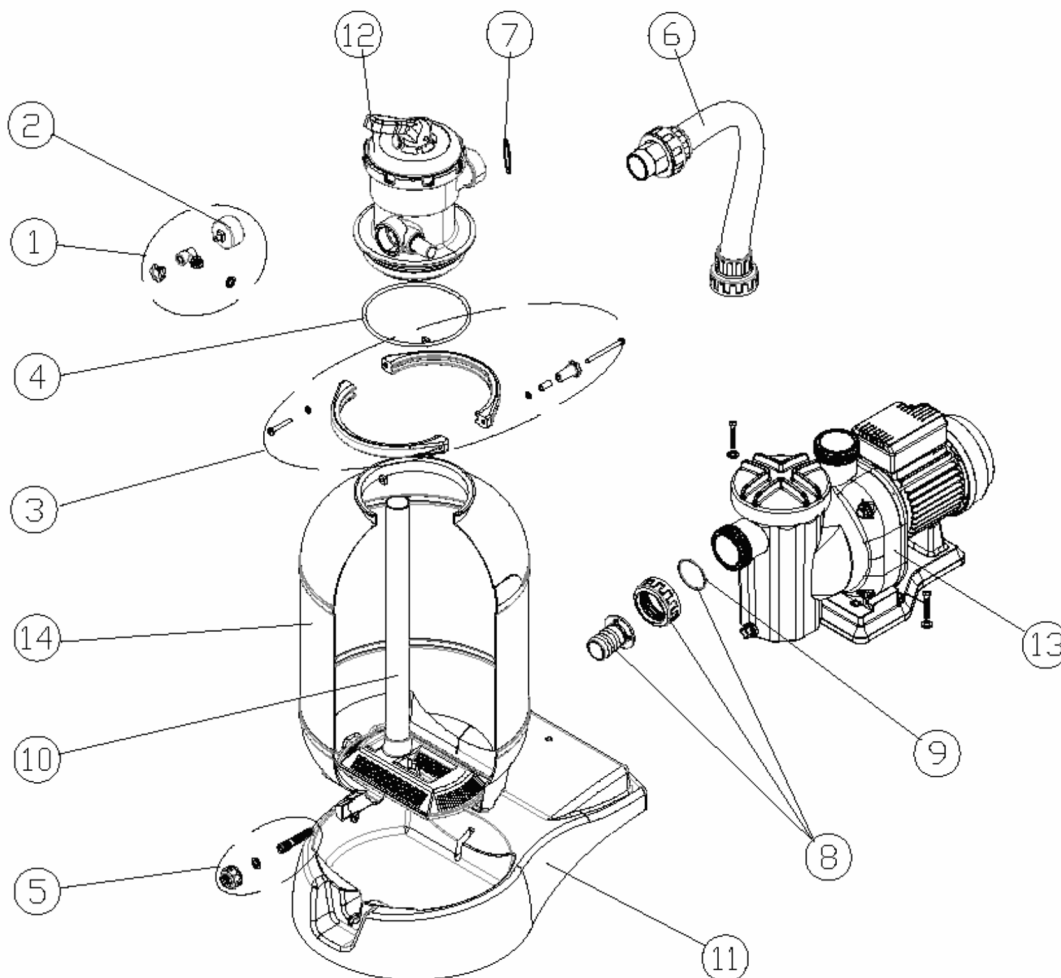


ITALIANO

POS	CODICE	DESCRIZIONE	POS	CODICE	DESCRIZIONE
1	4404080104	MANOMETRO COMPLETO	8	4404250001	PILONE UNIONE TUBO D. 38
2	4404010103	MANOMETRO 1/8" 3 KG./CM	9	4405010438	O-RING D 54x2,5
3	4411020402	INSIEME FASCIA IN PLASTICA	10	4411020205	KIT COLLETTORE D. 380
4	4404080101	O-RING COPERCHIO	11	4404300407	BASE INIETTATA D. 380
5	4404220103	SCARICO SABBIA	12	21341	VALVOLA 6 FUNZIONI
6	4404250000	MANICOTTO DI COLLEGAMENTO	13	25461	POMPA SENA
7	4404120000	GUARNIZIONE PIANA	14	27429R0002RTZ	CORPO FILTRO D. 380

CODIGO **25449**

DESCRIÇÃO: **FILTRO MONOBLOCO**



PORTUGUES

POS	CODIGO	DESCRIÇÃO	POS	CODIGO	DESCRIÇÃO
1	4404080104	MANÓMETRO COMPLETO	8	4404250001	MACHO UNIÃO MANGUEIRA D. 38
2	4404010103	MANOMETRO 1/8" 3 KG./CM	9	4405010438	JUNTA TÓRICA D 54x2,5
3	4411020402	CONJUNTO ABRAÇADERA DE PLASTICO	10	4411020205	CJTO. COLECTOR D. 380
4	4404080101	JUNTA TÓRICA TAMPA	11	4404300407	BASE INJECTADA D. 380
5	4404220103	PURGA AREIA	12	21341	VALVULA 6 FUNÇÕES
6	4404250000	MANGUER LIGAÇÃO	13	25461	BOMBA SENA
7	4404120000	JUNTA PLANA	14	27429R0002RTZ	FILTRO D. 380