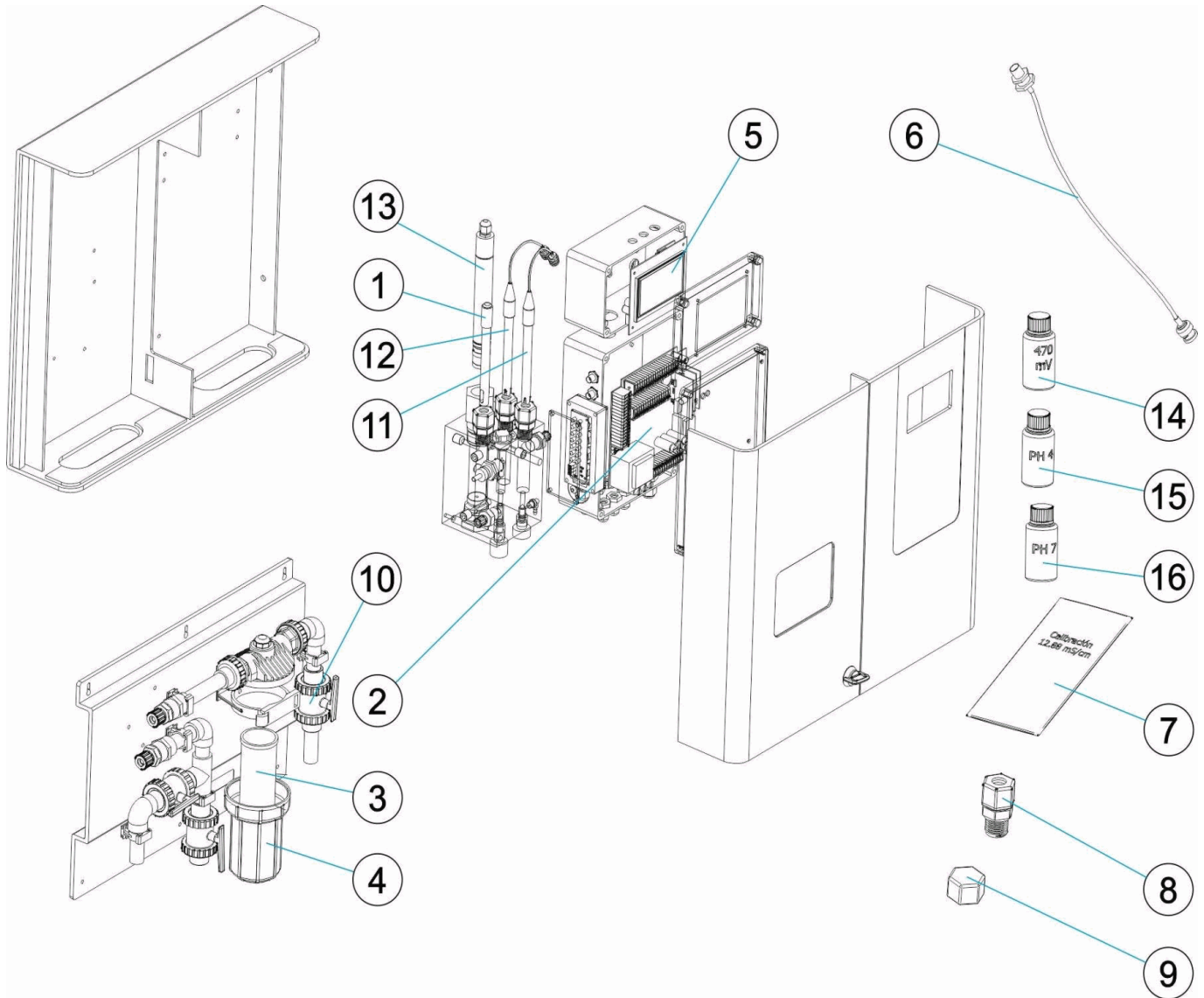


CODIGO **54523, 54524, 54525**

DESCRIPCION: **SMART CONTROL PH/ORP/CL2 PPM**



ESPAÑOL

POS	CODIGO	DESCRIPCION	POS	CODIGO	DESCRIPCION
1	4408040162	SONDA DE TEMPERATURA Y CONDUCTIVIDAD	8	4408041310	RACOR INSERCIÓN Sonda 12MM.-1/2"
2 *	4408040165	PLACA CONTROL PR3 PH/ORP	9	4408040067	TAPON Sonda PH/ORP PORTASONDA
2 *	4408040164	PLACA CONTROL PR3 PH/PPM	10	4408040168	CUERPO VALVULA + SALIDAS
2 *	4408040163	PLACA CONTROL PR3 PH/ORP/PPM	11 *	60649	ELECTRODO ORP
3	4408041537	FILTRO PORTASONDAS LAVABLE	12	60648	ELECTRODO COMBINADO PH
4	4408041538	PORTASONDAS E/S 1/2"	13 *	60645	SENSOR CLORO LIBRE
5	4408040166	PANTALLA DE CONTROL	14 *	60633	SOLUCION CALIBRACION 470MV.
6	4408070069	CONECTOR BCN	15	60632	TAMPON PH 4,0 50 ML. (ROJO)
7	4408040167	SOLUCION CALIBRACION 12,88 MS/CM	16	60618	TAMPON PH 7,0 50 M/L. (VERDE)

CODIGO 54523, 54524, 54525

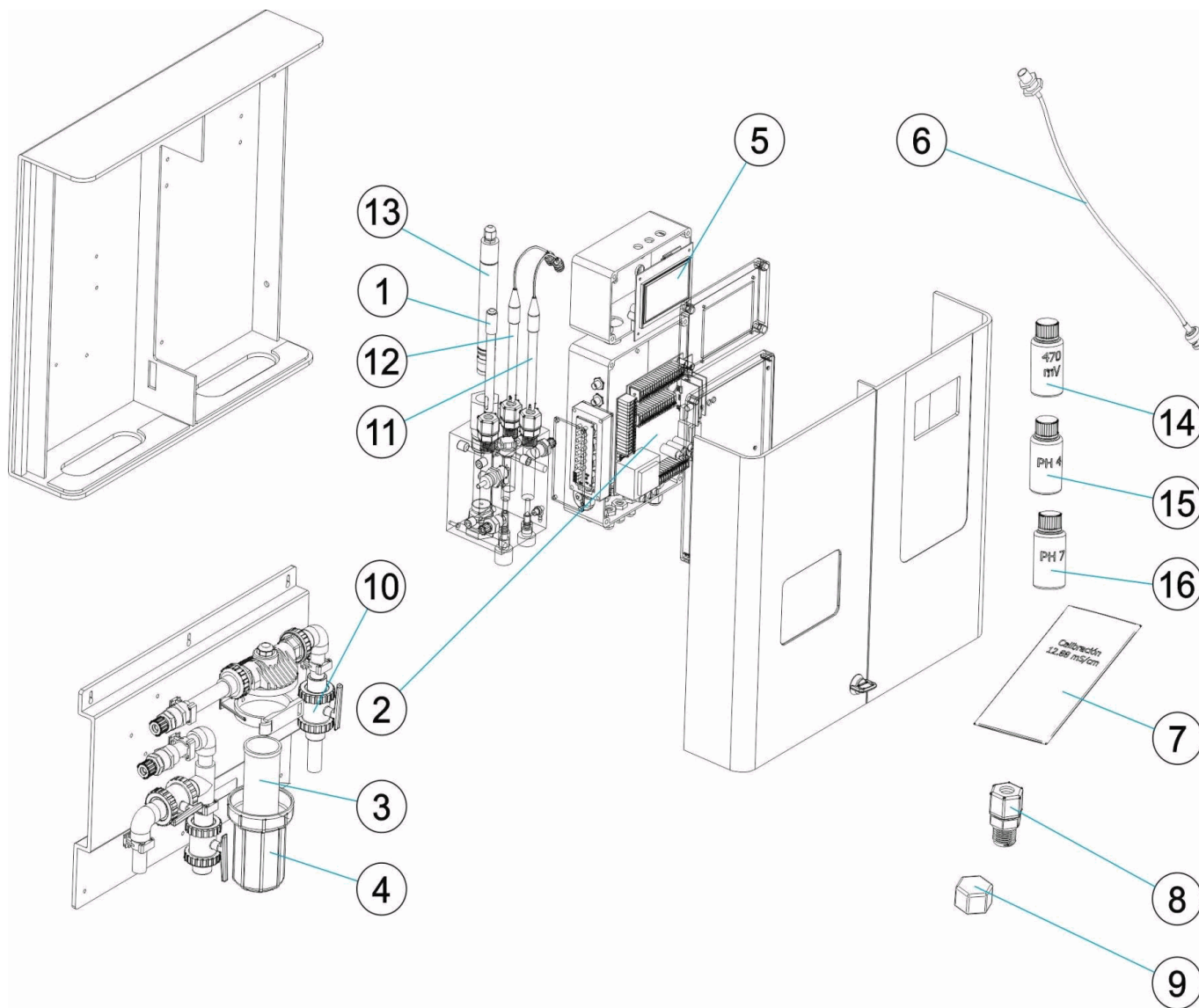
DESCRIPCION: SMART CONTROL PH/ORP/CL2 PPM

OBSERVACIONES

POS	CODIGO	OBSERVACIONES
2	4408040165	PARA: 54523
2	4408040164	PARA: 54524
2	4408040163	PARA: 54525
11	60649	PARA: 54523, 54525
13	60645	PARA: 54524, 54525
14	60633	PARA: 54523, 54525

CODE **54523, 54524, 54525**

DESCRIPTION: **SMART CONTROL PH/ORP/CL2 PPM**



FRANCAIS

POS	CODE	DESCRIPTION	POS	CODE	DESCRIPTION
1	4408040162	SONDE DE TEMPÉRATURE ET CONDUCTIVITÉ	8	4408041310	CONNECTEUR 12MM. - 1/2"
2 *	4408040165	PLAQUE CONTRÔLE PR3 PH/ORP	9	4408040067	BOUCHON M-25 H
2 *	4408040164	PLAQUE CONTRÔLE PR3 PH/PPM	10	4408040168	CORPS VALVE + SORTIES
2 *	4408040163	PLAQUE CONTRÔLE PR3 PH/ORP/PPM	11 *	60649	ELECTRODE ORP
3	4408041537	FILTRE PORTE-SONDES LAVABLE	12	60648	ELECTRODE COMBINÉE PH
4	4408041538	PORTE-SONDES E/S 1/2"	13 *	60645	SONDE DE CHLORE LIBRE
5	4408040166	ÉCRAN CONTRÔLE	14 *	60633	SOLUTION CALIBRAGE 470 MV
6	4408070069	CONNECTEUR BCN	15	60632	TAMPON PH 4,0 50 ML. (ROUGE)
7	4408040167	SOLUTION CALIBRAGE 12,88 MS/CM	16	60618	TAMPON PH 7,0 50 M/L. (VERT)

CODE **54523, 54524, 54525**

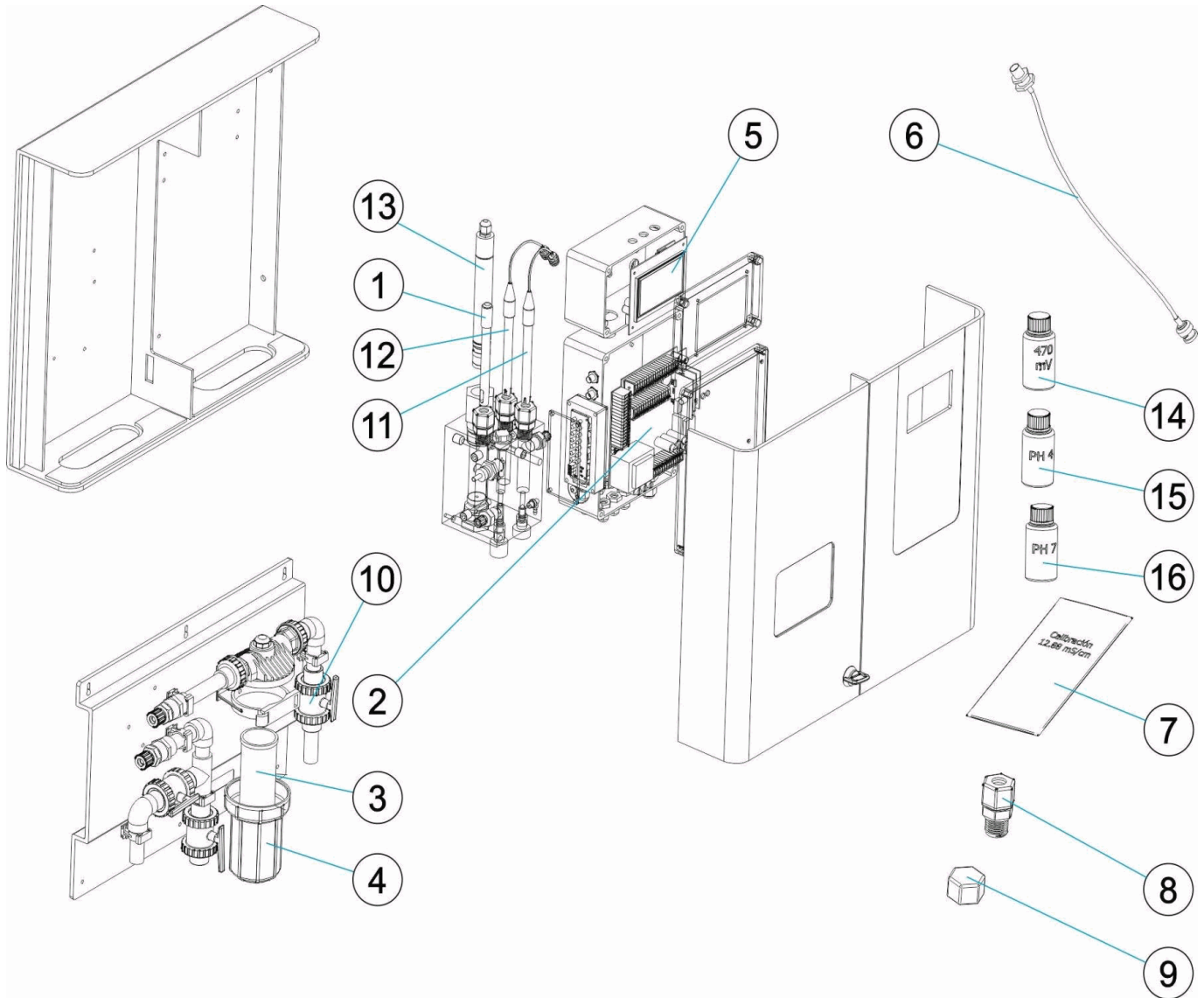
DESCRIPTION: **SMART CONTROL PH/ORP/CL2 PPM**

OBSERVATIONS

POS	CODE	OBSERVATIONS
2	4408040165	POUR: 54523
2	4408040164	POUR: 54524
2	4408040163	POUR: 54525
11	60649	POUR: 54523, 54525
13	60645	POUR: 54524, 54525
14	60633	POUR: 54523, 54525

CODE **54523, 54524, 54525**

DESCRIPTION: **SMART CONTROL PH/ORP/CL2 PPM**



ENGLISH

POS	CODE	DESCRIPTION	POS	CODE	DESCRIPTION
1	4408040162	TEMPERATURA AND CONDUCTIVITY PROBE	8	4408041310	CONNECTOR 12M/M. - 1/2"
2 *	4408040165	ELECTRONIC CARD PR3 PH/ORP	9	4408040067	PLUG M-25 H
2 *	4408040164	ELECTRONIC CARD PR3 PH/PPM	10	4408040168	VALVE SOCKET + OUTLETS
2 *	4408040163	ELECTRONIC CARD PR3 PH/ORP/PPM	11 *	60649	ORP ELECTRODE
3	4408041537	WASHABLE MAXIM CELL FILTER	12	60648	ELECTRODE PH
4	4408041538	MAXIM CELL E/S 1/2"	13 *	60645	FREE CHLORINE SENSOR
5	4408040166	CONTROL SCREEN	14 *	60633	CALIBRATION SOLUTION ORP 470 MV
6	4408070069	BCN CONNECTOR	15	60632	CALIBRATION SOLUTION PH 4,0 50 ML. (RED)
7	4408040167	CALIBRATION SOLUTION 12,88 MS/CM	16	60618	CALIBRATION SOLUTION PH 7,0 50 M/L. (GREEN)

CODE **54523, 54524, 54525**

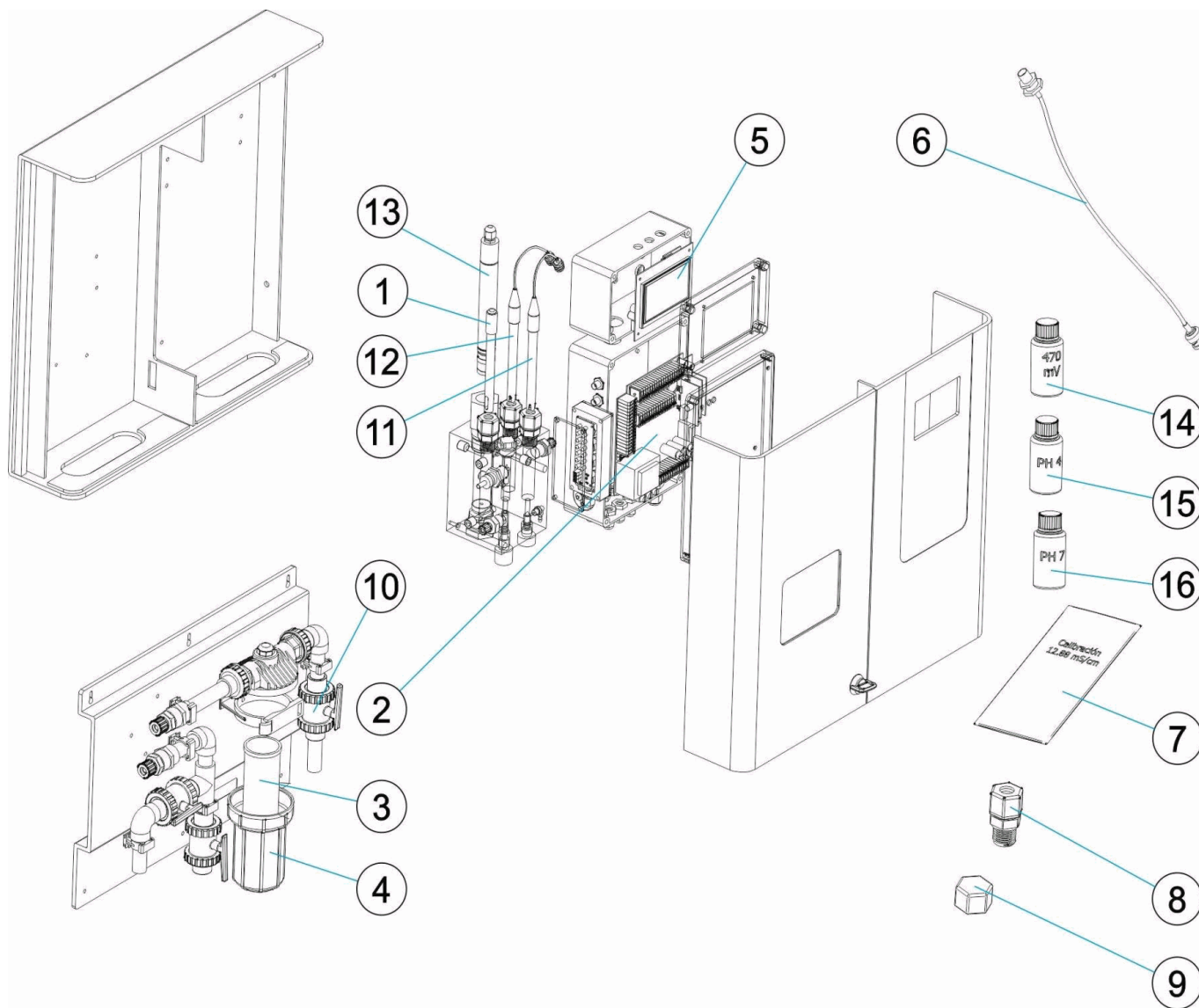
DESCRIPTION: **SMART CONTROL PH/ORP/CL2 PPM**

OBSERVATIONS

POS	CODE	OBSERVATIONS
2	4408040165	FOR: 54523
2	4408040164	FOR: 54524
2	4408040163	FOR: 54525
11	60649	FOR: 54523, 54525
13	60645	FOR: 54524, 54525
14	60633	FOR: 54523, 54525

CODICE **54523, 54524, 54525**

DESCRIZIONE: **SMART CONTROL PH/ORP/CL2 PPM**



ITALIANO

POS	CODICE	DESCRIZIONE	POS	CODICE	DESCRIZIONE
1	4408040162	SONDA DI TEMPERATURA E CONDUCIBILITÀ	8	4408041310	CONNETTORE 12M/M. - 1/2"
2 *	4408040165	SCHEDA PR3 PH/ORP	9	4408040067	TAPPO M-25 H
2 *	4408040164	SCHEDA PR3 PH/PPM	10	4408040168	CORPO VALVOLA + USCITE
2 *	4408040163	SCHEDA PR3 PH/ORP/PPM	11 *	60649	ELETTRODO RX
3	4408041537	FILTRO PORTA-SONDE LAVABILE	12	60648	ELETTRODO COMBINATO PH
4	4408041538	PORTA-SONDE E/S 1/2"	13 *	60645	SONDA DI CLORO LIBERO
5	4408040166	SCHERMO CONTROLLO	14 *	60633	SOLUZIONE CALIBRAZIONE 470MV.
6	4408070069	CONNETTORE BCN	15	60632	SOLUZIONE TAMPONE PH 4,0 50 ML. (ROSSO)
7	4408040167	SOLUZIONE CALIBRAZIONE 12,88 MS/CM	16	60618	SOLUZIONE TAMPONE PH 7,0 50 M/L. (VERDE)

CODICE **54523, 54524, 54525**

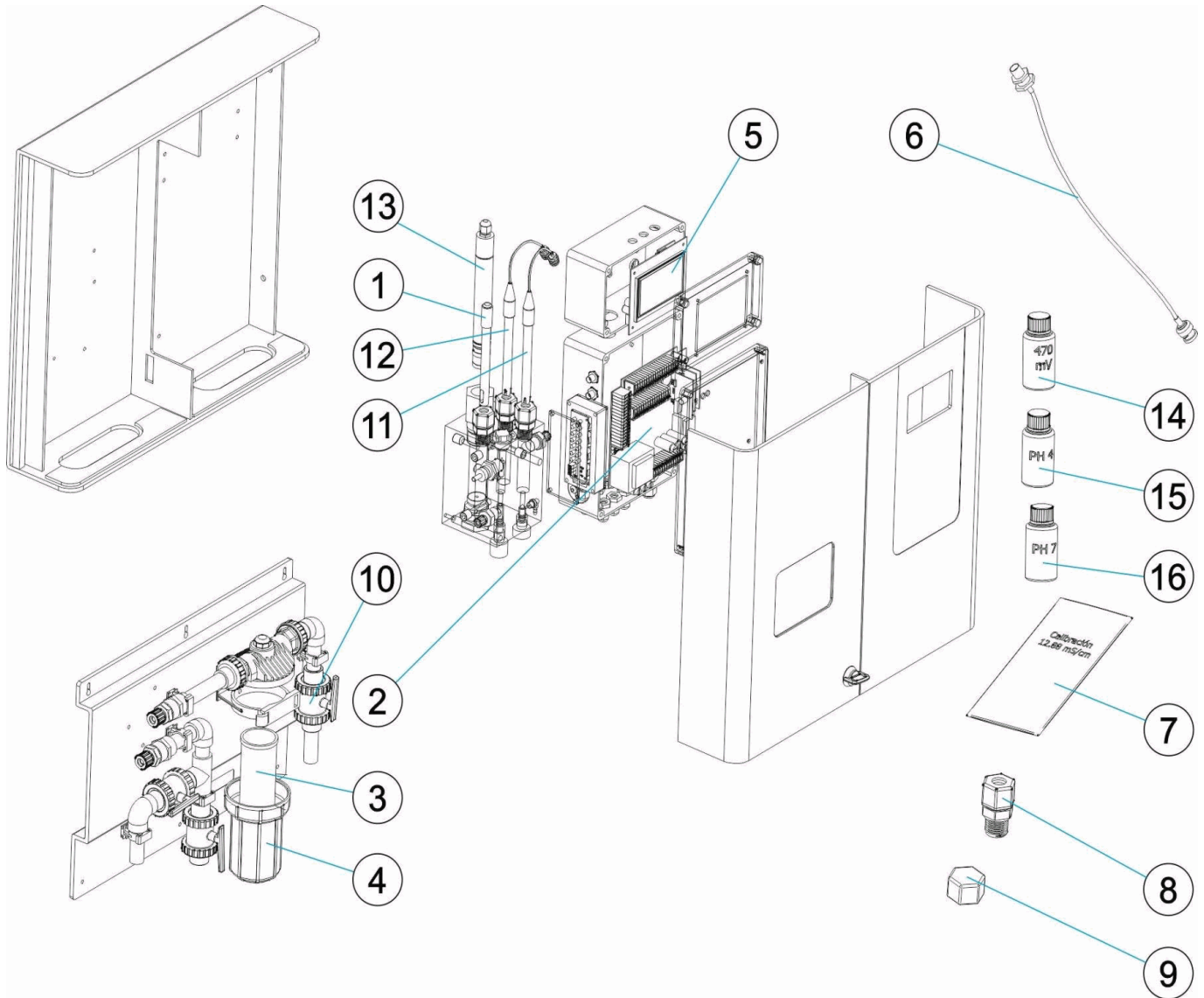
DESCRIZIONE: **SMART CONTROL PH/ORP/CL2 PPM**

OSSERVAZIONI

POS	CODICE	OSSERVAZIONI
2	4408040165	PER: 54523
2	4408040164	PER: 54524
2	4408040163	PER: 54525
11	60649	PER: 54523, 54525
13	60645	PER: 54524, 54525
14	60633	PER: 54523, 54525

CODE **54523, 54524, 54525**

BESCHREIBUNG: **SMART CONTROL PH/ORP/CL2 PPM**



DEUTSCH

POS	CODE	BESCHREIBUNG	POS	CODE	BESCHREIBUNG
1	4408040162	TEMPERATUR UND LEITFÄHIGKEIT SONDE	8	4408041310	GEWINDESTÜCK SONDE 12 MM - 1/2"
2 *	4408040165	STEUERPLATINE PR3 PH/ORP	9	4408040067	STOPFEN PH/OPR-SONDE SONDENHALTERUNG
2 *	4408040164	STEUERPLATINE PR3 PH/PPM	10	4408040168	GEHÄUSE VENTIL + AUSGÄNGE
2 *	4408040163	STEUERPLATINE PR3 PH/ORP/PPM	11 *	60649	ORP-ELEKTRODE
3	4408041537	SONDENHALTERUNG FILTER WASCHBAR	12	60648	ELEKTRODE KOMBINIERT PH
4	4408041538	SONDENHALTERUNG E/S 1/2"	13 *	60645	FREICHLORMESSER
5	4408040166	KONTROLLBILDSCHIRM	14 *	60633	KALIBRIERLÖSUNG 47 0MV
6	4408070069	STECKKUPPLUNG BCN	15	60632	PUFFER PH 4,0 50 ML (ROT)
7	4408040167	KALIBRIERLÖSUNG 12,88 MS/CM	16	60618	PUFFER PH 7,0 50 M/L (GRÜN)

CODE **54523, 54524, 54525**

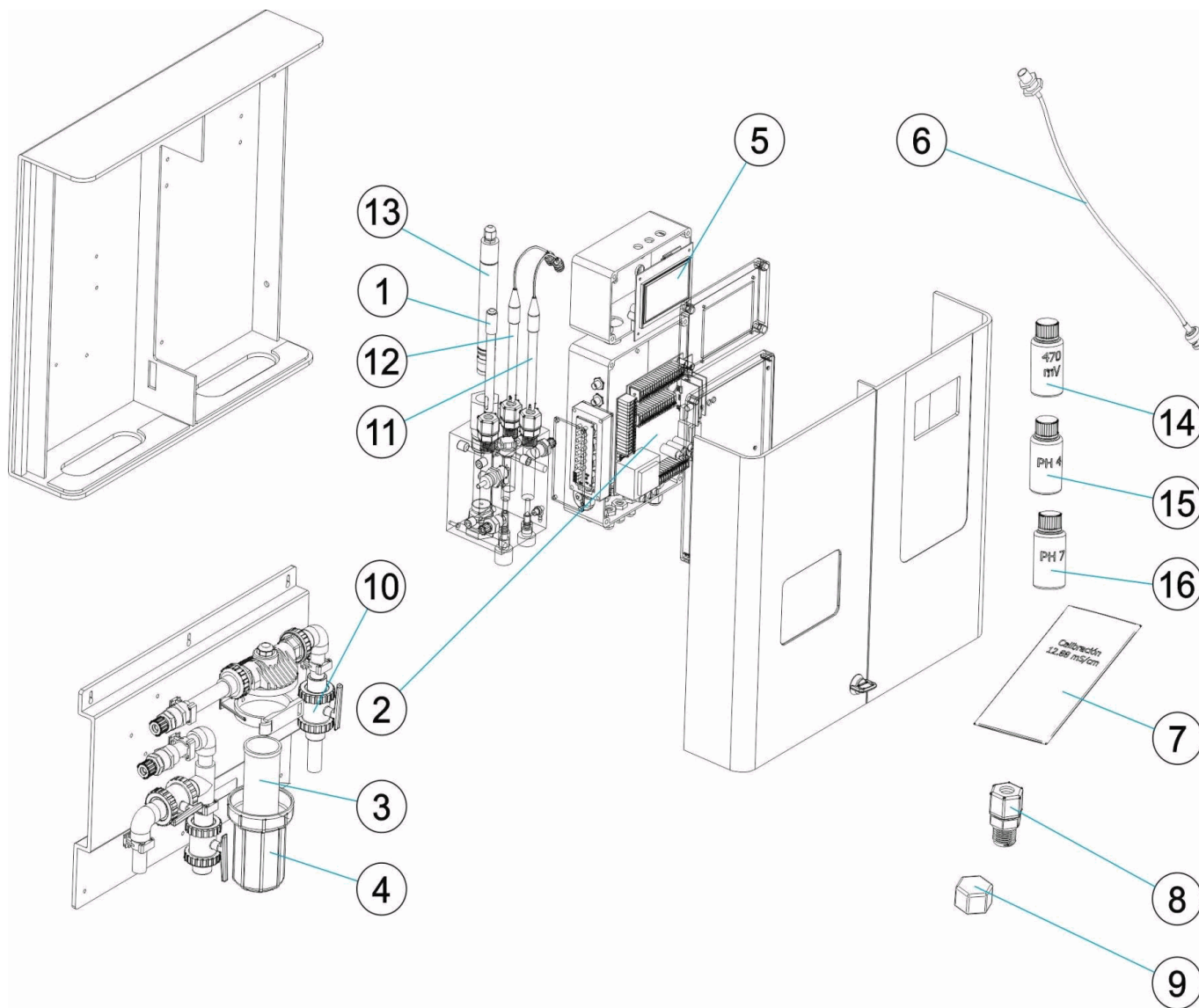
BESCHREIBUNG: **SMART CONTROL PH/ORP/CL2 PPM**

HINWEISE

POS	CODE	HINWEISE
2	4408040165	FÜR: 54523
2	4408040164	FÜR: 54524
2	4408040163	FÜR: 54525
11	60649	FÜR: 54523, 54525
13	60645	FÜR: 54524, 54525
14	60633	FÜR: 54523, 54525

CODIGO 54523, 54524, 54525

DESCRIÇÃO: SMART CONTROL PH/ORP/CL2 PPM



PORTUGUES

POS	CODIGO	DESCRIÇÃO	POS	CODIGO	DESCRIÇÃO
1	4408040162	SONDA DE TEMPERATURA E CONDUCTIVIDADE	8	4408041310	CONECTOR 12MM. - 1/2"
2 *	4408040165	PLACA CONTROLO PR3 PH/ORP	9	4408040067	TAMPÃO M-25 H
2 *	4408040164	PLACA CONTROLO PR3 PH/PPM	10	4408040168	CORPO VÁLVULA + SAÍDAS
2 *	4408040163	PLACA CONTROLO PR3 PH/ORP/PPM	11 *	60649	ELECTRODO ORP
3	4408041537	FILTRO PORTA-SONDAS LAVÁVEL	12	60648	ELECTRODO COMBINADO PH
4	4408041538	PORTA-SONDAS E/S 1/2"	13 *	60645	SONDA DE CLORO LIVRE
5	4408040166	ECRÃ CONTROLO	14 *	60633	SOLUÇÃO TAMPÃO 470 MV
6	4408070069	LIGAÇÃO BCN	15	60632	SOLUÇÃO TAMPÃO PH 4,0 50 ML. (VERMELHO)
7	4408040167	SOLUÇÃO TAMPÃO 12,88 MS/CM	16	60618	SOLUÇÃO TAMPÃO PH 7,0 50 ML. (VERDE)

CODIGO 54523, 54524, 54525

DESCRIÇÃO: SMART CONTROL PH/ORP/CL2 PPM

OBSERVAÇÕES

POS	CODIGO	OBSERVAÇÕES
2	4408040165	PARA: 54523
2	4408040164	PARA: 54524
2	4408040163	PARA: 54525
11	60649	PARA: 54523, 54525
13	60645	PARA: 54524, 54525
14	60633	PARA: 54523, 54525